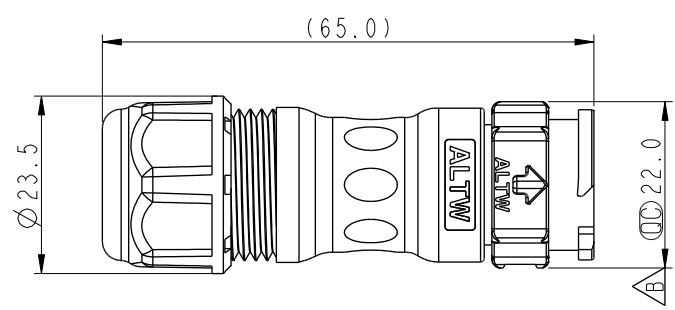
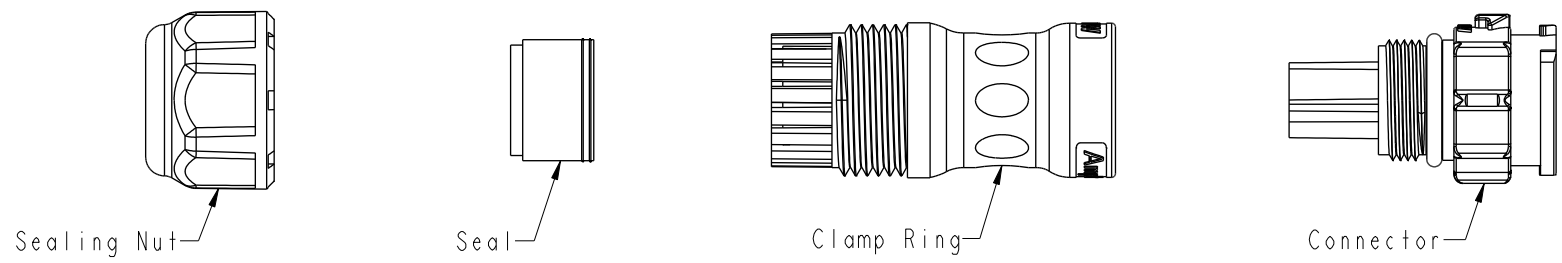


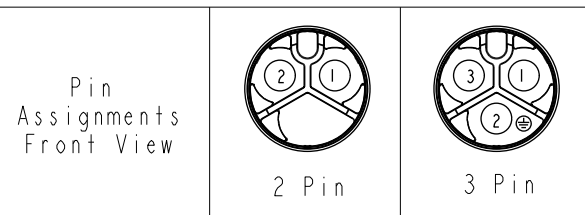
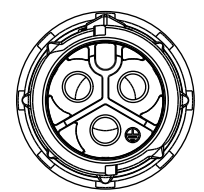
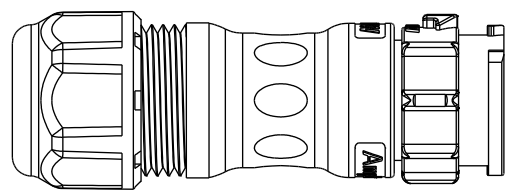
THIS DOCUMENT IS SUBJECT TO CHANGE WITHOUT NOTICE. IT IS CONFIDENTIAL AND A PROPERTY OF Amphenol LTW. DISCLOSURE TO THIRD PARTY HAS TO BE AUTHORIZED BY Amphenol LTW.

REV.	ECN NO.	DATE	SIGN	DESCRIPTION
B	E191899	2019/11/14	Ruru	△B X4
C	C231238	2023/09/20	Vicky	△C X1



CC-XXBMM-QL8XNP
 02-2 Pin
 03-3 Pin

S: With Red Color Seal 1, Cable OD 6.0~8.0mm.
 M: With Yellow Color Seal 2, Cable OD 8.0~10.0mm.
 L: With Blue Color Seal 3, Cable OD 10.0~12.0mm.
 A: With Seal 1 & Seal 2 & Seal 3.



- △B Note:
- * ⌀ Important Dimension
 - * Waterproof Rate: IP68, Mated
IP68 : 1M Depth Of Water In 24hours
 - * Housing: Thermoplastic, Black
 - * Clamp Ring: Thermoplastic, Black
 - * Sealing Nut: Thermoplastic, Black
 - * Seals: Rubber
- △C * One set unassembled in one pe bag

A	UNIT:mm		TITLE	XLOK, C-20A, CABLE W/O SR M, M, FI CRIMP, XLOK △B		ITEM NO	DRAWN BY	DATE								
	TOLERANCE	±0.5 mm	SCALE			1:1	SIZE	A4	SHEET	1	OF	1	DWG NO	CC-XXBMM-QL8XNP △B	CHECKED BY	Rita
			REV.	C	WC-REV.	.0	CC: Inspection item	CUSTOMER	ALTW	APPROVED BY	Max	DATE	2019-11-14			

Amphenol LTW
 安費諾亮泰企業股份有限公司