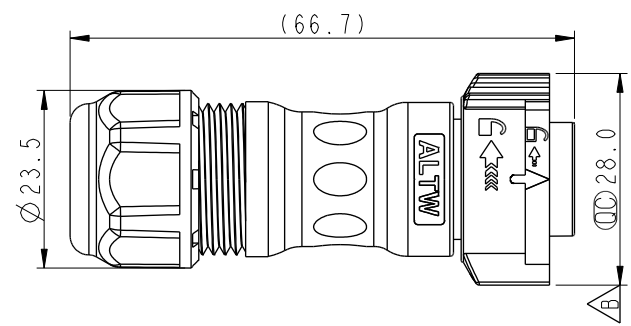
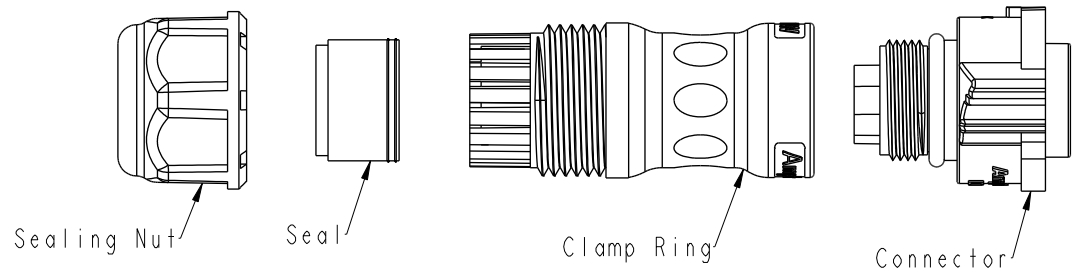


THIS DOCUMENT IS SUBJECT TO CHANGE WITHOUT NOTICE. IT IS CONFIDENTIAL AND A PROPERTY OF AMPHENOL LTW. DISCLOSURE TO THIRD PARTY HAS TO BE AUTHORIZED BY AMPHENOL LTW.

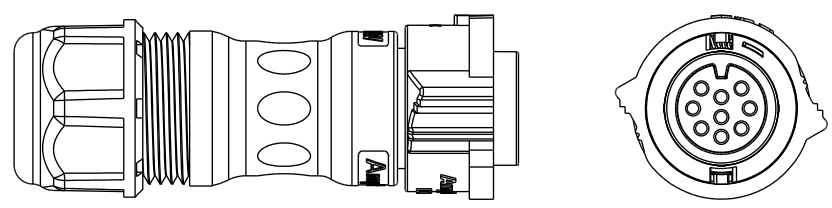
REV.	ECN NO.	DATE	SIGN	DESCRIPTION
A		2016/11/23	Victor Hung	Change Rev.01 To Rev.A
B	C192027	2019/11/21	Vicky	$\triangle B$ X4
C	C231238	2023/09/20	Vicky	$\triangle C$ X1



CD-XXBFMA-QL8XN0

07-7Pin
08-8Pin
09-9Pin

S: With Red Color Seal 1, Cable OD 6.0~8.0mm.
M: With Yellow Color Seal 2, Cable OD 8.0~10.0mm.
L: With Blue Color Seal 3, Cable OD 10.0~12.0mm.
A: With Seal 1 & Seal 2 & Seal 3.



$\triangle B$ Note:

- * $\text{\textcircled{C}}$ Important Dimension
- * Waterproof Rate: IP68, Mated
IP68: 1M Depth Of Water In 24hours
- * Housing: Thermoplastic, Black
- * Clamp Ring: Thermoplastic, Black
- * Sealing Nut: Thermoplastic, Black
- * Seals: Rubber

$\triangle C$ * One set unassembled in one pe bag

Pin Assignments Front View	7 Pin	8 Pin	9 Pin

UNIT:mm		TITLE	XLOK, C-5A, CABLE W/O SR F, M, FI CRIMP, XLOK	
TOLERANCE	$\pm 0.5\text{mm}$	SCALE	1:1	SIZE A4
		REV.	C	WC-REV. A.5
			$\text{\textcircled{C}}$: Inspection item	

Amphenol LTW		ITEM NO	DRAWN BY	DATE
安費諾亮泰企業股份有限公司			Victor Hung	2016-11-23
DWG NO	CD-XXBFMA-QL8XN0 $\triangle B$	CHECKED BY	Wes Fan	DATE
		APPROVED BY	Kevin Hu	2016-11-23
CUSTOMER	ALTW			