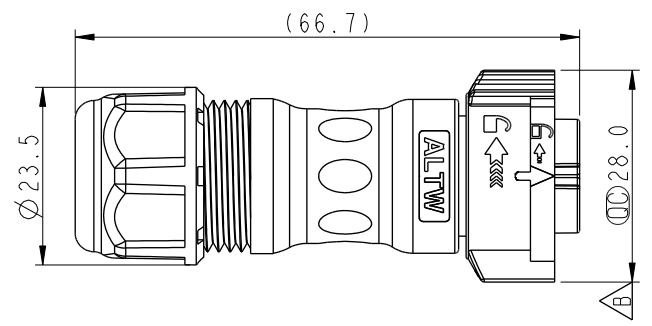
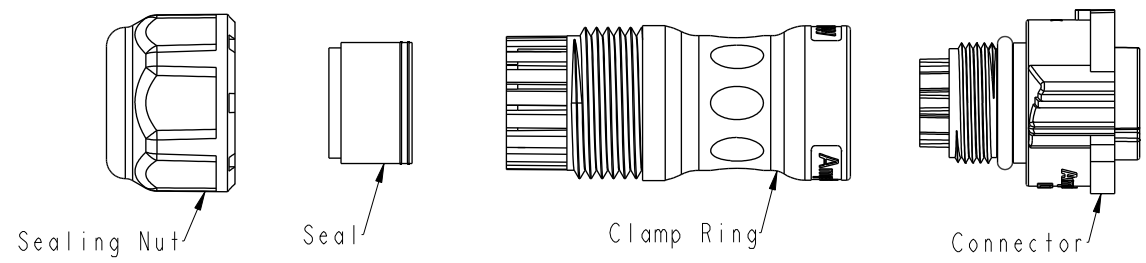


THIS DOCUMENT IS SUBJECT TO CHANGE WITHOUT NOTICE. IT IS CONFIDENTIAL AND A PROPERTY OF AMPHENOL LTW. DISCLOSURE TO THIRD PARTY HAS TO BE AUTHORIZED BY AMPHENOL LTW.

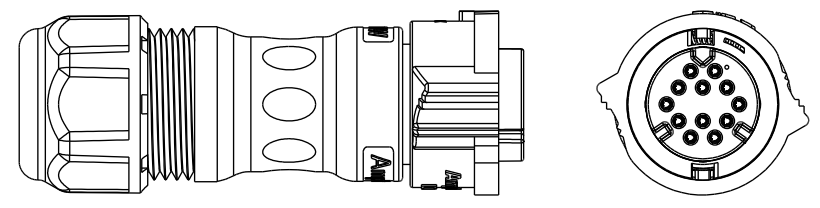
REV.	ECN NO.	DATE	SIGN	DESCRIPTION
A		2016/11/23	Victor Hung	Change Rev.01 To Rev.A
B	C192027	2019/11/21	Vicky	$\triangle B$ X4
C	C231238	2023/09/20	Vicky	$\triangle C$ X1



CD-XXBFFA-QL8XP0

08- 8Pin
 09- 9Pin
 10-10Pin
 12-12Pin

S: With Red Color Seal 1, Cable OD 6.0~8.0mm.
 M: With Yellow Color Seal 2, Cable OD 8.0~10.0mm.
 L: With Blue Color Seal 3, Cable OD 10.0~12.0mm.
 A: With Seal 1 & Seal 2 & Seal 3.



$\triangle B$ Note:

- * \varnothing Important Dimension
- * Waterproof Rate: IP68, Mated
 IP68: 1M Depth Of Water In 24hours
- * Housing: Thermoplastic, Black
- * Pin: Copper Alloy, Gold Plated
- * Clamp Ring: Thermoplastic, Black
- * Sealing Nut: Thermoplastic, Black
- * Seals: Rubber

$\triangle C$ * One set unassembled in one pe bag

Pin Assignments Front View	8 Pin	9 Pin	10 Pin	12 Pin

A	UNIT:mm		TITLE	XLOK, C-5A, CABLE W/O SR F, F, FI CRIMP, XLOK		ITEM NO	DRAWN BY	DATE		
	TOLERANCE	$\pm 0.5mm$	SCALE	1:1	SIZE	A4	SHEET	1 OF 1		
			REV.	C	WC-REV.	A.5	\varnothing Inspection item			
<h1 style="text-align: center;">Amphenol LTW</h1> <p style="text-align: center;">安費諾亮泰企業股份有限公司</p>				DWG NO	CD-XXBFFA-QL8XP0 $\triangle B$	CHECKED BY	Wes Fan	DATE	2016-11-23	
				CUSTOMER	ALTW	APPROVED BY	Kevin Hu	DATE	2016-11-23	
						DATE	2016-11-23			