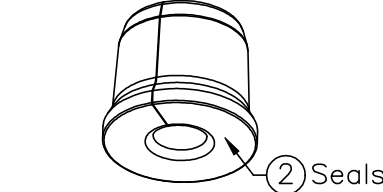
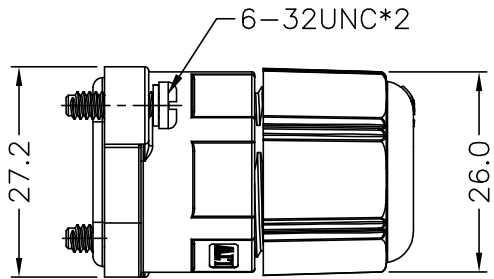
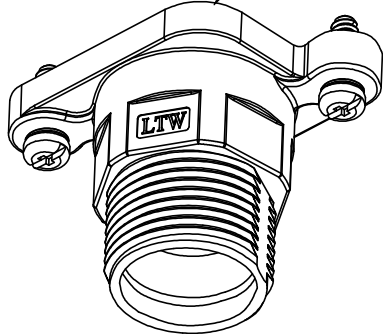
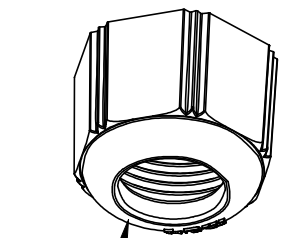


REV.	ECN NO.	DATE	SIGN	DESCRIPTION
A	Initial Release	2014/06/28	Tom gu	Change Rev.1 To Rev.A
B	C230765	2023/08/10	Alex	△*2

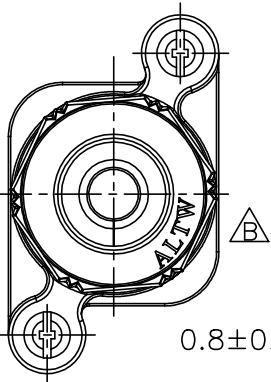
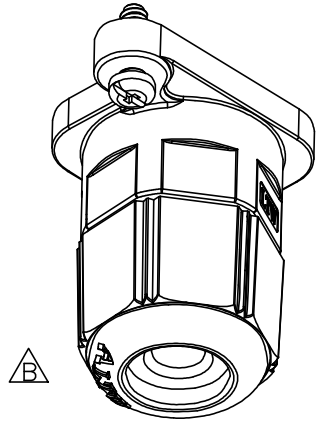
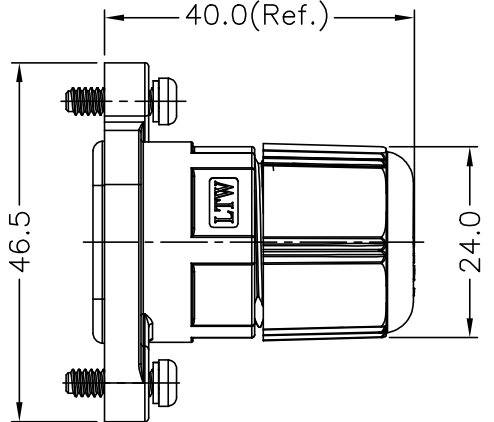
① Half-Finished Goods



② Seals



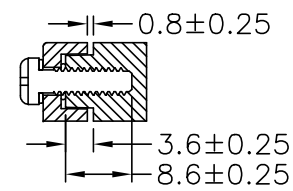
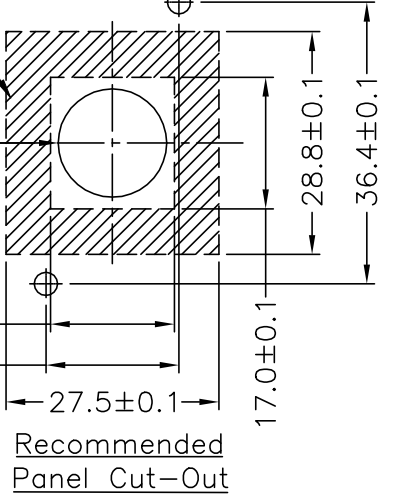
③ Sealing Nut



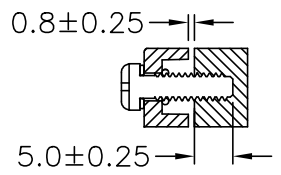
兩螺絲孔無防水功能(需挖盲孔)  
(Please See the Condition 1 & 2)  
6-32UNC\*2

壓迫區域 Gasket

ø14.0±0.1  
最小挖孔尺寸,  
最大不得超出  
Gasket 壓迫區域



Condition 1



Condition 2

Note:

- \* Waterproof Rate:IP67.
- \* Cable OD:ø5.5~ø7.0mm.
- \* Tempertaure Rating:-40°C~+85°C.
- \* Gasket. Seals:Silicone,Gray.
- \* O-ring:Silicone,Gray.
- \* Body & Sealing Nut:ZDC-3,Nickel Plated 120u".
- \* Screw & Washer:Stainless Steel.
- \* Sealing Nut Torque:12~16 kgf.cm
- \* 螺絲與對插板對鎖後, 對插板距本體之均勻距離 0.8mm 為達到 IP67 防水狀態
- \* ①②③ 組裝後放入一個 PE 袋 (Sealing Nut鎖 2~3 牙即可)

Recommended Panel Cut-Out

UNIT:mm	
TOLERANCE	±0.5 mm

TITLE RJ Ass'y (OD5.5~7.0mm) (After Plug In)	
SCALE Free	SHEET 1 OF 1
REV. B	SIZE A4
◎ :Inspection Item	

**Amphenol LTW**  
安費諾亮泰企業股份有限公司

ITEM NO CSF-D14003	DRAWN BY Tom	DATE 2014/06/28
DWG NO CSF-D14003	CHECKED BY Ludi	DATE 2014/06/28
CUSTOMER ALTW	APPROVED BY Victor	DATE 2014/06/28

THIS DOCUMENT IS SUBJECT TO CHANGE WITHOUT NOTICE. IT IS CONFIDENTIAL AND A PROPERTY OF Amphenol LTW. DISCLOSURE TO THIRD PARTY HAS TO BE AUTHORIZED BY Amphenol LTW.

A B C D E F