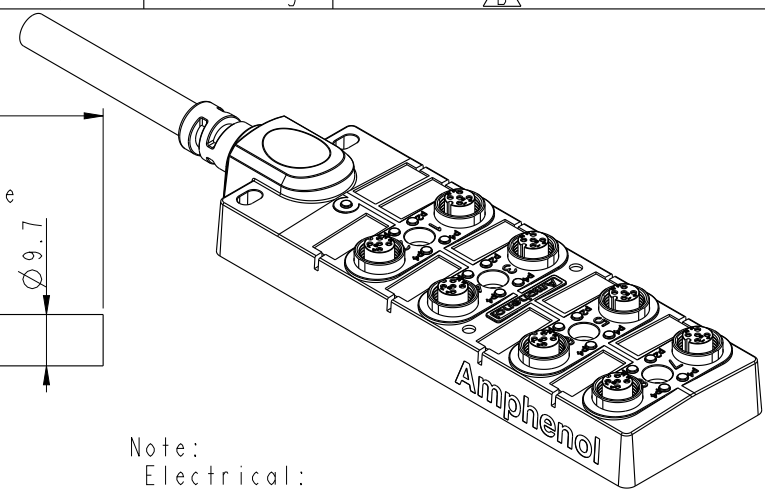
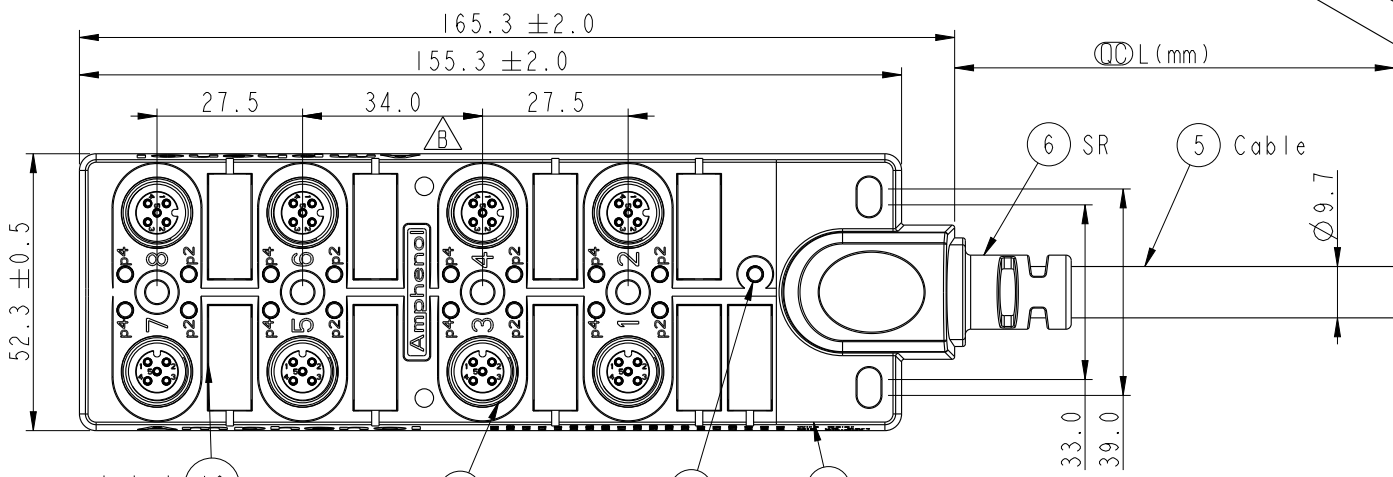


THIS DOCUMENT IS SUBJECT TO CHANGE WITHOUT NOTICE. IT IS CONFIDENTIAL AND A PROPERTY OF Amphenol LTW. DISCLOSURE TO THIRD PARTY HAS TO BE AUTHORIZED BY Amphenol LTW.

REV.	ECN NO.	DATE	SIGN	DESCRIPTION
B	C231254	2023-09-25	Wenxiang	 X3



Note:

Electrical:

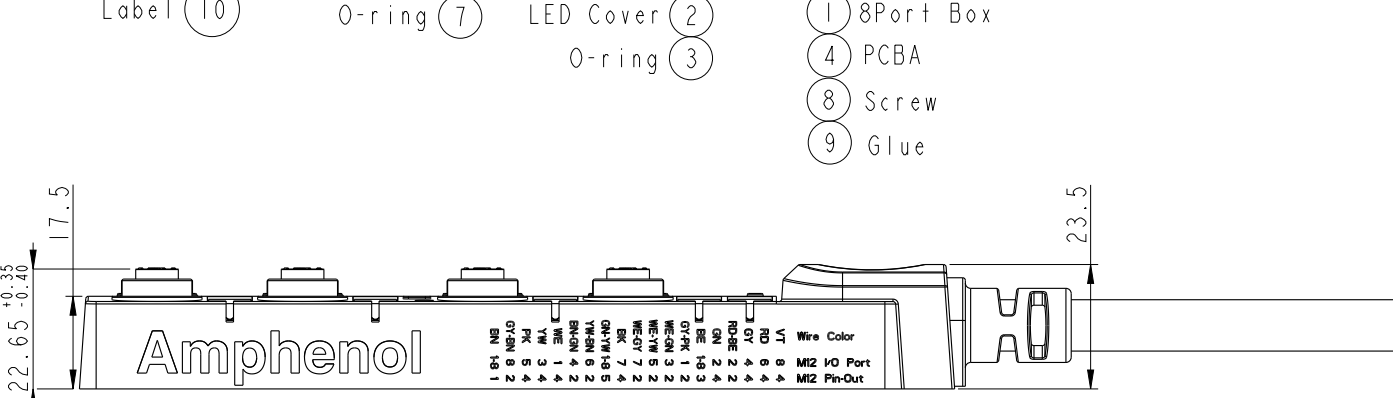
- * Voltage: 10~30V DCMax.
- * Current per Port: 4A
- * Current Sum Max.: 12A
- * Power indicator: 1*LED, Green
- * Function Indicator: 16 * LED Yellow
- * Sensor Connections: M12*1, 5-pole Female
- * Switching Output: PNP

Mechanical:

- * Connector Housing Material: PA66, Nylon+GF
- * Box Material: PBT+PC
- * Contact Material: Copper Alloy
- * Contact Finish: Gold plated
- * No. of Ports: 8
- * Style: M12*1
- * Mounting type: 4 * M4
- * Cable: UL20549, 16C*0.34mm²+3C*1.0mm², PUR Jacket, OD=9.7, Black.
- * Cable Length Tolerance: 01M: ±40mm
02~05M: ±60mm
06~10M: ±100mm
11~30M: ±200mm
31~99M: ±500mm

Environmental:

- * Operating Temperature : -20°C~+80°C
- * Waterproof Rate: IP67 (Unmated)
- * Oil Resistant



DB12-5A8CAB-DPS7BXX

XX: 01~99Meters
01: 01Meter
05: 05Meter
10: 10Meter
15: 15Meter
20: 20Meter
30: 30Meter

Cable Length(L): 01~99Meters

UNIT: mm		
TOLERANCE		
.X	±0.25	
.XX	±0.1	
.XXX	±0.05	
ANGLES	±1°	

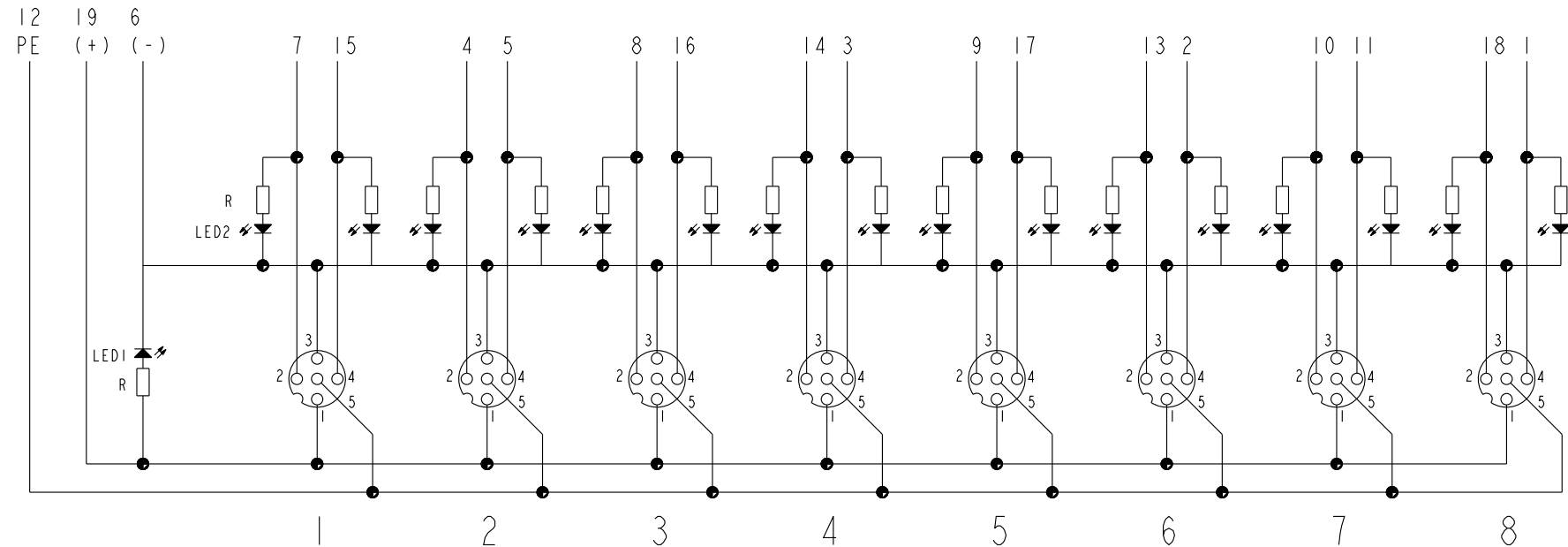
TITLE M12 Distribution Box 8Port, Cable		
SCALE 7:10	SIZE A4	SHEET 1 OF 2
REV. B	WC-REV. A.5	

Amphenol LTW
安費諾亮泰企業股份有限公司

ITEM NO DB12-5A8CAB-DPS7BXX	DRAWN BY Tony_leng	DATE 2014/01/13
DWG NO DB12-5A8CAB-DPS7BXX	CHECKED BY Jimmy	DATE 2014/01/13
CUSTOMER ALTW	APPROVED BY Jerry	DATE 2014/01/13

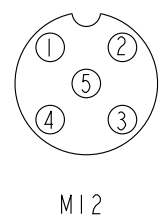
THIS DOCUMENT IS SUBJECT TO CHANGE WITHOUT NOTICE. IT IS CONFIDENTIAL AND A PROPERTY OF Amphenol LTW. DISCLOSURE TO THIRD PARTY HAS TO BE AUTHORIZED BY Amphenol LTW.

Schematic Diagram



M12 I/O Ports

18	8	2	Gray/Brown
17	5	4	Pink
16	3	4	Yellow
15	1	4	White
14	4	2	Brown/Green
13	6	2	Yellow/Brown
11	7	4	Black
10	7	2	White/Gray
9	5	2	White/Yellow
8	3	2	White/Green
7	1	2	Gray/Pink
5	2	4	Green
4	2	2	Red/Blue
3	4	4	Gray
2	6	4	Red
1	8	4	Violet
19(+V)	1-8	1	Brown
6(-V)	1-8	3	Blue
12(PE)	1-8	5	Green/yellow
Wire	Port	M12 Pin	Wire Color



I/O Ports
 Pin1: +V
 Pin2: NC
 Pin3: -V
 Pin4: NO
 Pin5: PE

Parts
 LED1: Green
 LED2: Yellow
 R: Resistor

UNIT:mm TOLERANCE .X ±0.25 .XX ±0.1 .XXX ±0.05 ANGLES ±1°		TITLE M12 Distribution Box 8Port, Cable		Amphenol LTW 安費諾亮泰企業股份有限公司	ITEM NO DB12-5A8CAB-DPS7BXX	DRAWN BY Tony_leng	DATE 2014/01/13
		SCALE 1:1	SIZE A4		SHEET 2 OF 2	DWG NO DB12-5A8CAB-DPS7BXX	CHECKED BY Jimmy
		REV. B	WC-REV. A.5	(QC) Inspection item	CUSTOMER ALTW	APPROVED BY Jerry	DATE 2014/01/13