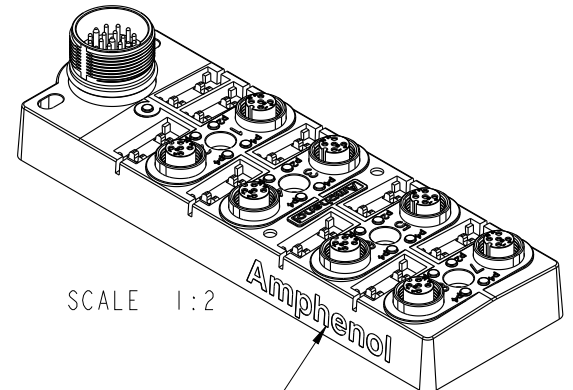
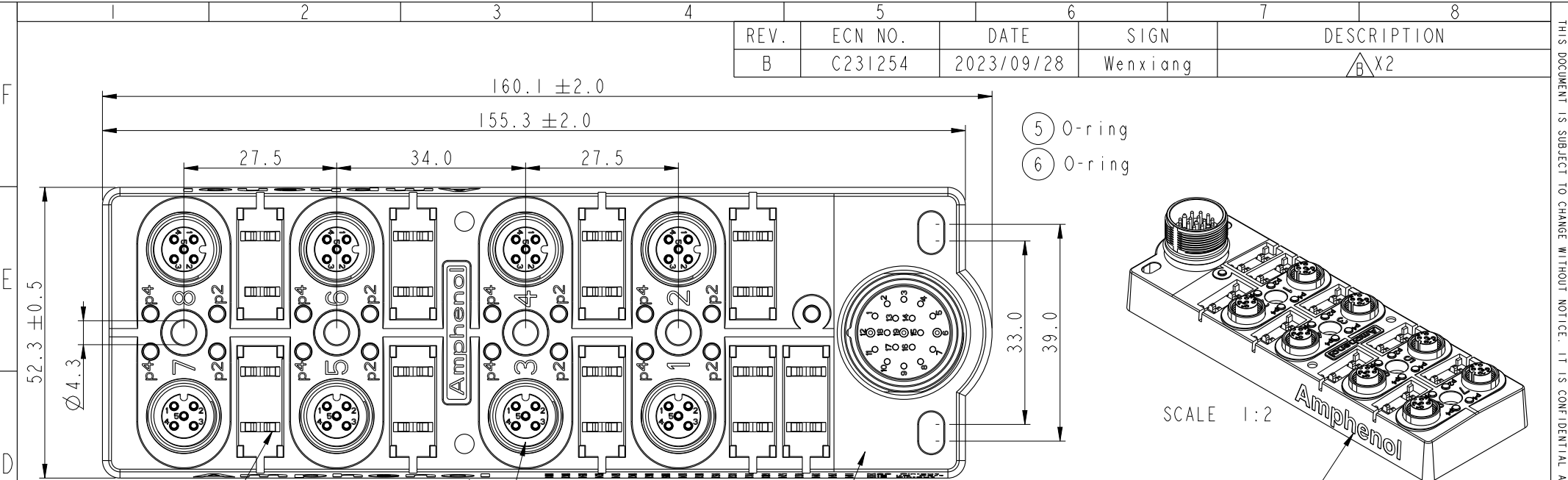


REV.	ECN NO.	DATE	SIGN	DESCRIPTION
B	C231254	2023/09/28	Wenxiang	\triangle X2



LASER Printed(Full)

Note:

Electrical:

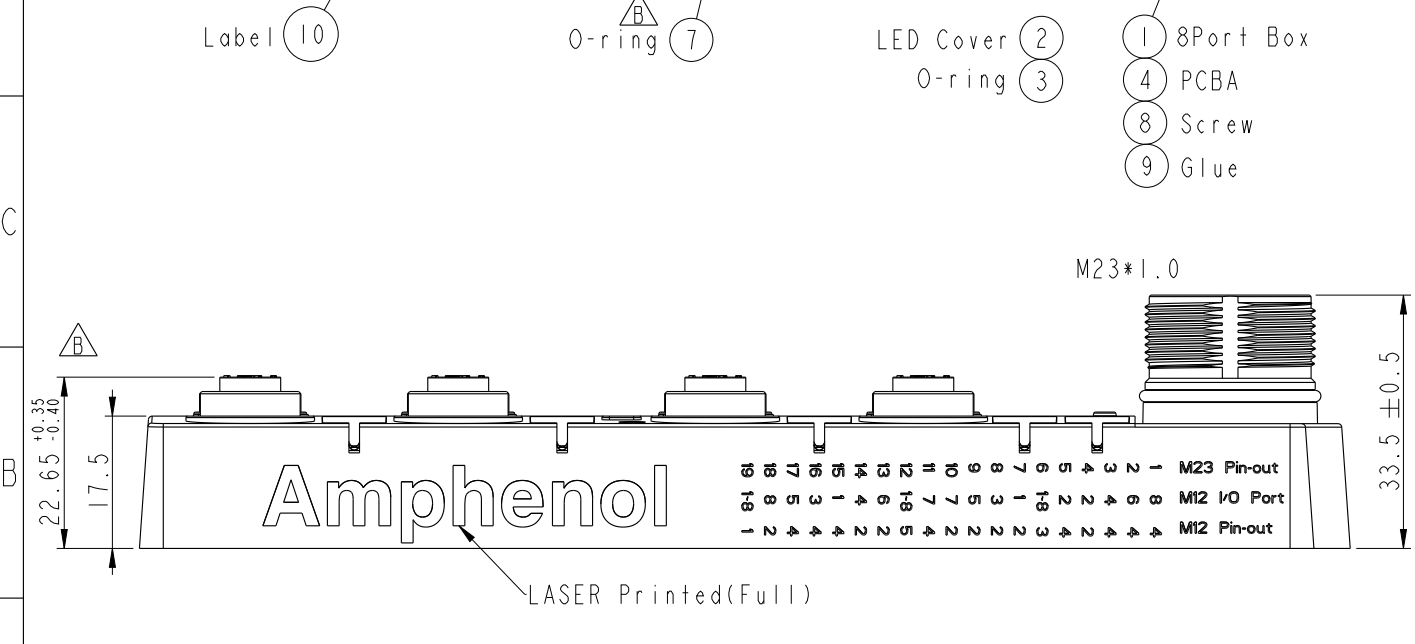
- * Voltage: 10~30V DCMax.
- * Current per Port: 4A
- * Current Sum Max.: 12A
- * Power indicator: 1*LED, Green
- * Function Indicator: 16 * LED Yellow
- * Sensor Connections: M12*1, 5-pole Female
- * Switching Output: PNP

Mechanical:

- * Homerun Connector: M23
- * Connector Housing Material: PA66,Nylon+GF
- * Box Material: PBT+PC
- * Contact Material: Copper Alloy
- * Contact Finish: Gold plated
- * No. of Ports: 8
- * Style: M12*1
- * Mounting type: 4 * M4

Environmental:

- * Operating Temperature : -25°C~+90°C
- * Waterproof Rate: IP67 (Unmated)
- * Oil Resistant

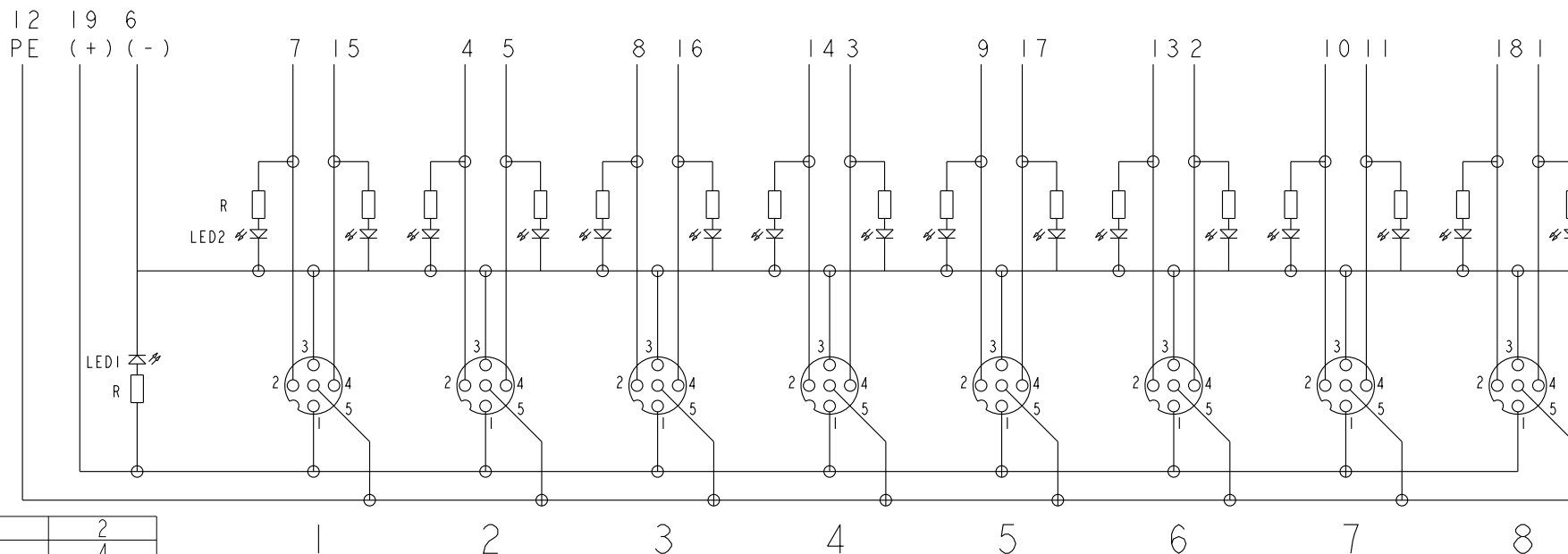


UNIT: mm		TITLE		<h1>Amphenol LTW</h1> <p>安費諾亮泰企業股份有限公司</p>	ITEM NO	DRAWN BY	DATE
		M12 Distribution Box 8Port, M23			DBI2-5A8M23-DPS7001	Tony_leng	2014/01/13
TOLERANCE		SCALE	SIZE	SHEET	DWG NO	CHECKED BY	DATE
.X ±0.25		1:1	A4	1 OF 2	DBI2-5A8M23-DPS7001	Jimmy	2014/01/13
.XX ±0.1		REV.	WC-REV.	QC: Inspection item	CUSTOMER	APPROVED BY	DATE
.XXX ±0.05		B	.0		ALTW	Jerry	2014/01/13
ANGLES ±1°							

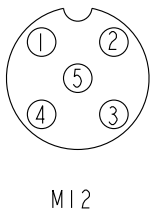
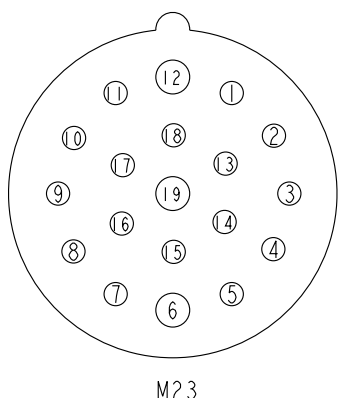
THIS DOCUMENT IS SUBJECT TO CHANGE WITHOUT NOTICE. IT IS CONFIDENTIAL AND A PROPERTY OF Amphenol LTW. DISCLOSURE TO THIRD PARTY HAS TO BE AUTHORIZED BY Amphenol LTW.

Schematic Diagram

M23 Homerun Connector



18	8	2
17	5	4
16	3	4
15	1	4
14	4	2
13	6	2
11	7	4
10	7	2
9	5	2
8	3	2
7	1	2
5	2	4
4	2	2
3	4	4
2	6	4
1	8	4
19(+V)	1-8	1
6(-V)	1-8	3
12(PE)	1-8	5
M23 Pin	Port	M12 Pin



M12 I/O Ports

I/O Ports
 Pin1: +V
 Pin2: NC
 Pin3: -V
 Pin4: NO
 Pin5: PE

Parts
 LED1: Green
 LED2: Yellow
 R: Resistor

UNIT: mm		
TOLERANCE	.X ±0.25	
.XX	±0.1	
.XXX	±0.05	
ANGLES	±1°	

TITLE M12 Distribution Box 8Port, M23		
SCALE 1:2	SIZE A4	SHEET 2 OF 2
REV. B	WC-REV. .0	QC: Inspection item

Amphenol LTW
 安費諾亮泰企業股份有限公司

ITEM NO DB12-5A8M23-DPS7001	DRAWN BY Tony_leng	DATE 2014/01/13
DWG NO DB12-5A8M23-DPS7001	CHECKED BY Jimmy	DATE 2014/01/13
CUSTOMER ALTW	APPROVED BY Jerry	DATE 2014/01/13

THIS DOCUMENT IS SUBJECT TO CHANGE WITHOUT NOTICE. IT IS CONFIDENTIAL AND A PROPERTY OF Amphenol LTW. DISCLOSURE TO THIRD PARTY HAS TO BE AUTHORIZED BY Amphenol LTW.