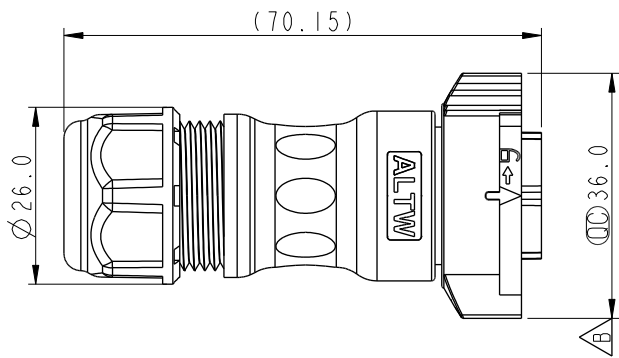
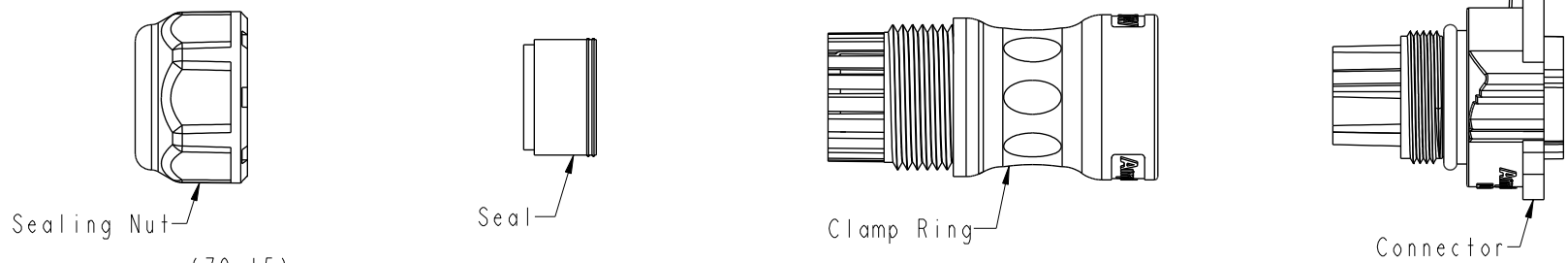


THIS DOCUMENT IS SUBJECT TO CHANGE WITHOUT NOTICE. IT IS CONFIDENTIAL AND A PROPERTY OF Amphenol LTW. DISCLOSURE TO THIRD PARTY HAS TO BE AUTHORIZED BY Amphenol LTW.

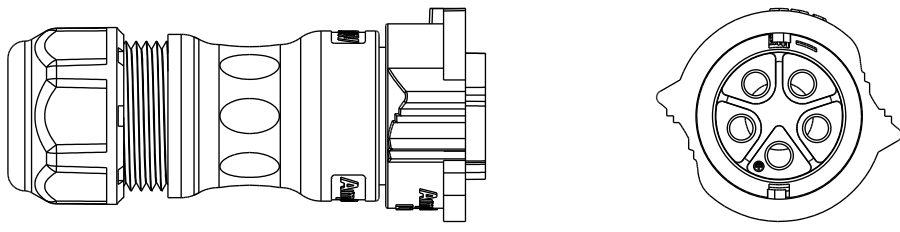
| REV. | ECN NO. | DATE       | SIGN  | DESCRIPTION |
|------|---------|------------|-------|-------------|
| C    | C220112 | 2022/01/17 | Ruru  | △C XI       |
| D    | C220230 | 2022/02/16 | Ruru  | △D XI       |
| E    | C231239 | 2023/09/21 | Vicky | △E XI       |



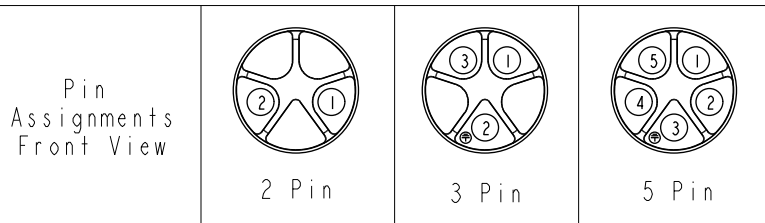
DC-XXBFFA-QL8XNP

02-2 Pin  
03-3 Pin  
05-5 Pin

△C △D  
S: With Red Color Seal 1, Cable OD 8.0~10.0mm.  
M: With Yellow Color Seal 2, Cable OD 10.0~12.0mm.  
L: With Blue Color Seal 3, Cable OD 12.0~14.0mm.  
A: With Seal 1 & Seal 2 & Seal 3.



- △B Note:
- \* ∅ Important Dimension
  - \* Waterproof Rate: IP68, Mated  
IP68 : 1M Depth Of Water In 24hours
  - \* Housing: Thermoplastic, Black
  - \* Clamp Ring: Thermoplastic, Black
  - \* Sealing Nut: Thermoplastic, Black
  - \* Seals: Rubber
  - △E \* One set unassembled in one pe bag



|   |           |         |  |  |                     |          |                     |             |      |            |            |
|---|-----------|---------|--|--|---------------------|----------|---------------------|-------------|------|------------|------------|
| A | UNIT:mm   |         | TITLE  | <h1 style="text-align: center;">Amphenol LTW</h1> <p style="text-align: center;">安費諾亮泰企業股份有限公司</p> |                     | ITEM NO  | DRAWN BY            | DATE        |      |            |            |
|   | TOLERANCE | ±0.5 mm | XLOK, D-20A, CABLE W/O SR, F, F, FI CRIMP, XLOK △B |  |                     | DWG NO   | DC-XXBFFA-QL8XNP △B | CHECKED BY  | Rita | 2019-11-15 |            |
|   | SCALE     | 1:1     | SIZE   |  |                     | A4       | SHEET               | 1           | OF   | 1          | DATE       |
|   | REV.      | E       | WC-REV.  | .0   | ∅∅: Inspection item | CUSTOMER | ALTW                | APPROVED BY | Max  | DATE       | 2019-11-15 |