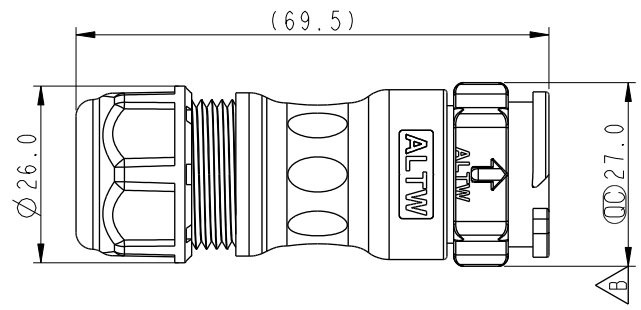
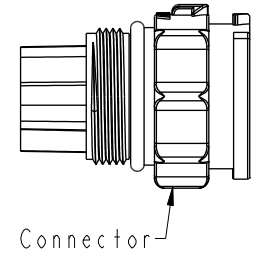
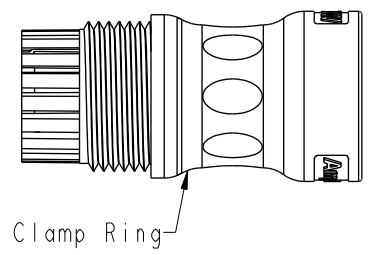
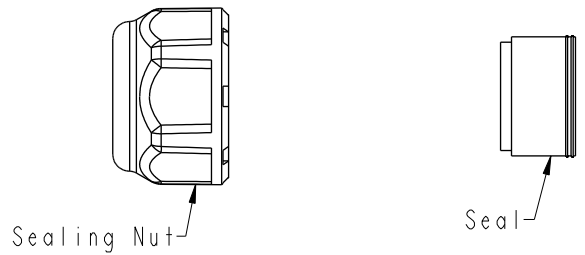


THIS DOCUMENT IS SUBJECT TO CHANGE WITHOUT NOTICE. IT IS CONFIDENTIAL AND A PROPERTY OF Amphenol LTW. DISCLOSURE TO THIRD PARTY HAS TO BE AUTHORIZED BY Amphenol LTW.

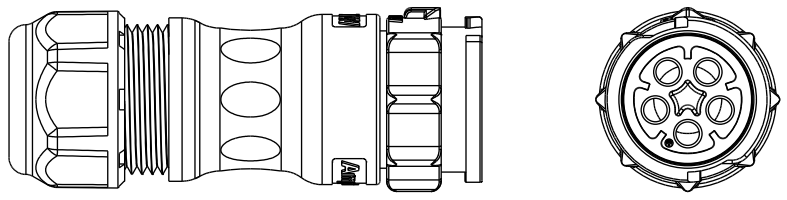
REV.	ECN NO.	DATE	SIGN	DESCRIPTION
C	C220112	2022/01/18	Ruru	△C XI
D	C220230	2022/02/16	Ruru	△D XI
E	C231239	2023/09/21	Vicky	△E XI



DC-XXBMFA-QL8XNP

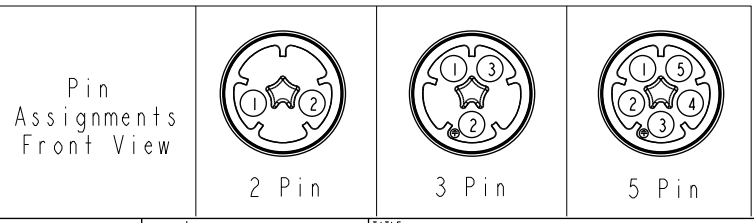
02-2 Pin  
03-3 Pin  
05-5 Pin

△C △D  
S: With Red Color Seal 1, Cable OD 8.0~10.0mm.  
M: With Yellow Color Seal 2, Cable OD 10.0~12.0mm.  
L: With Blue Color Seal 3, Cable OD 12.0~14.0mm.  
A: With Seal 1 & Seal 2 & Seal 3.



△B Note:

- \* ∅ Important Dimension
- \* Waterproof Rate: IP68, Mated  
IP68 : 1M Depth Of Water In 24hours
- \* Housing: Thermoplastic, Black
- \* Clamp Ring: Thermoplastic, Black
- \* Sealing Nut: Thermoplastic, Black
- \* Seals: Rubber
- △E \* One set unassembled in one pe bag



A	UNIT:mm		TITLE	<b>Amphenol LTW</b> 安費諾亮泰企業股份有限公司		ITEM NO	DRAWN BY	DATE			
	TOLERANCE	±0.5 mm	XLOK, D-20A, CABLE W/O SR M, F, FI CRIMP, XLOK △B			DWG NO	DC-XXBMFA-QL8XNP △B	CHECKED BY	Rita	2019-11-18	
	SCALE	1:1	SIZE	A4	SHEET	1	OF	1	APPROVED BY	Max	DATE