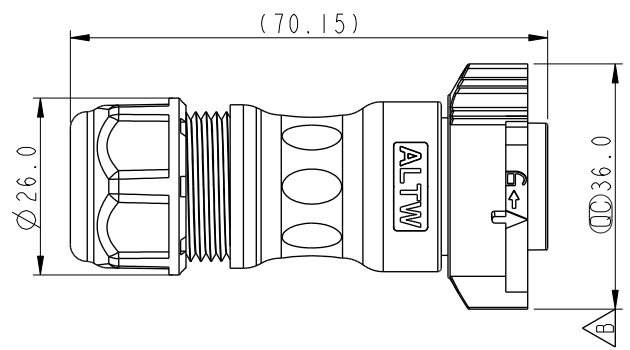
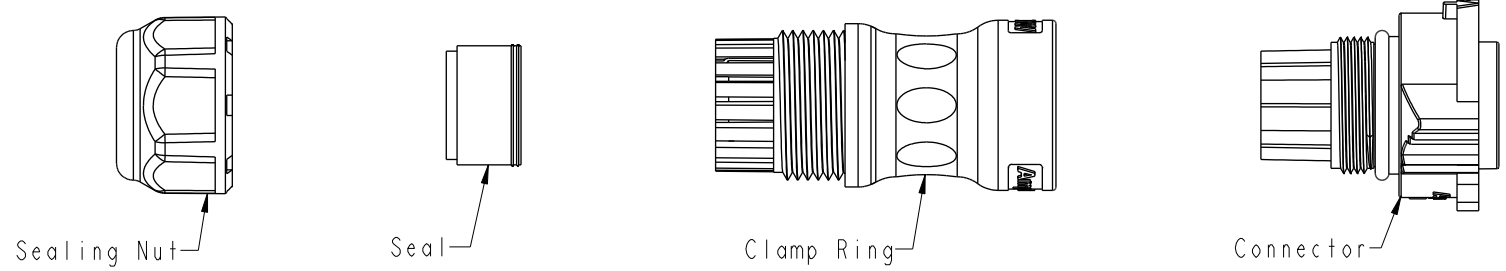


THIS DOCUMENT IS SUBJECT TO CHANGE WITHOUT NOTICE. IT IS CONFIDENTIAL AND A PROPERTY OF AMPHENOL LTW. DISCLOSURE TO THIRD PARTY HAS TO BE AUTHORIZED BY AMPHENOL LTW.

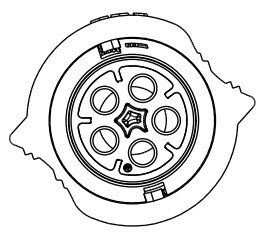
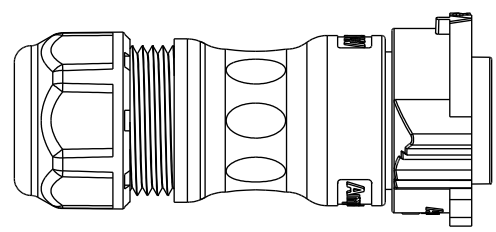
REV.	ECN NO.	DATE	SIGN	DESCRIPTION
C	C220112	2022/01/17	Ruru	△C XI
D	C220230	2022/02/16	Ruru	△D XI
E	C231239	2023/09/21	Vicky	△E XI



DC-XXBFMA-QL8XNP

02-2 Pin  
03-3 Pin  
05-5 Pin

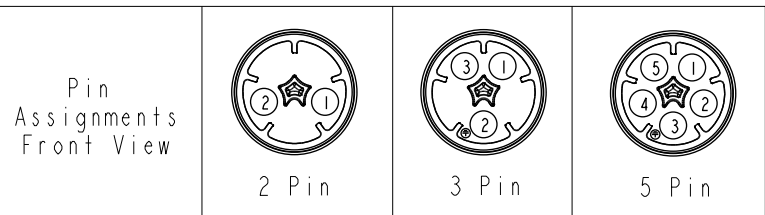
△C △D  
S: With Red Color Seal 1, Cable OD 8.0~10.0mm.  
M: With Yellow Color Seal 2, Cable OD 10.0~12.0mm.  
L: With Blue Color Seal 3, Cable OD 12.0~14.0mm.  
A: With Seal 1 & Seal 2 & Seal 3.



△B Note:

- \* ∅ Important Dimension
- \* Waterproof Rate: IP68, Mated  
IP68 : 1M Depth Of Water In 24hours
- \* Housing: Thermoplastic, Black
- \* Clamp Ring: Thermoplastic, Black
- \* Sealing Nut: Thermoplastic, Black
- \* Seals: Rubber

△E \* One set unassembled in one pe bag



UNIT:mm TOLERANCE ±0.5 mm		TITLE XLOK, D-20A, CABLE W/O SR F, M, FI CRIMP, XLOK △B	<h1>Amphenol LTW</h1> <p>安費諾亮泰企業股份有限公司</p>	ITEM NO	DRAWN BY Ruru	DATE 2019-11-19			
		SCALE 1:1		SIZE A4	SHEET 1	OF 1	DWG NO DC-XXBFMA-QL8XNP △B	CHECKED BY Rita	DATE 2019-11-19
		REV. E		WC-REV. .0	QC: Inspection item	CUSTOMER ALTW	APPROVED BY Max	DATE 2019-11-19	