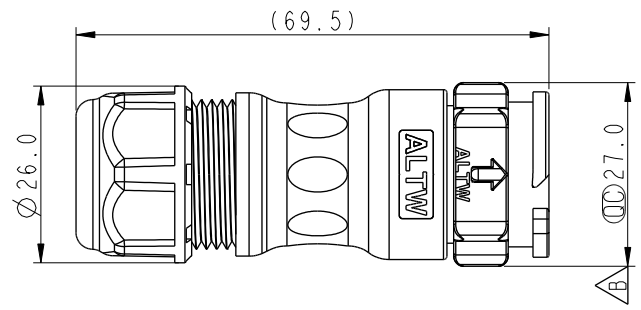
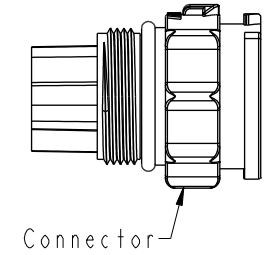
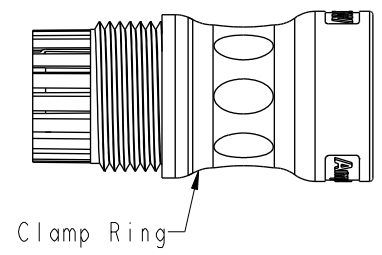
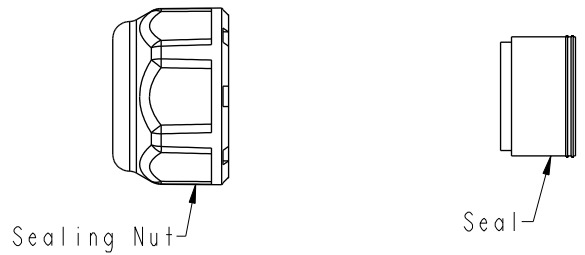


THIS DOCUMENT IS SUBJECT TO CHANGE WITHOUT NOTICE. IT IS CONFIDENTIAL AND A PROPERTY OF Amphenol LTW. DISCLOSURE TO THIRD PARTY HAS TO BE AUTHORIZED BY Amphenol LTW.

REV.	ECN NO.	DATE	SIGN	DESCRIPTION
C	C220112	2022/01/18	Ruru	△C XI
D	C220230	2022/02/16	Ruru	△D XI
E	C231239	2023/09/21	Vicky	△E XI



DC-XXBMFA-QL8XPP

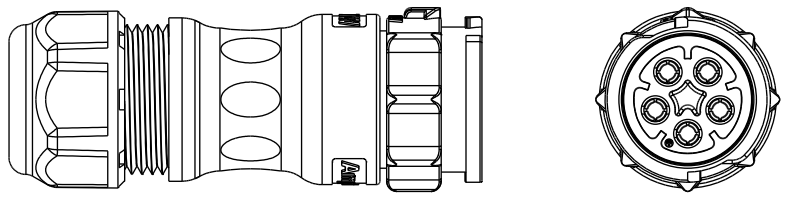
02-2 Pin

03-3 Pin

05-5 Pin

△C △D

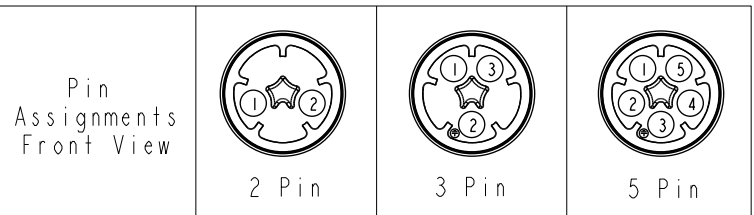
S: With Red Color Seal 1, Cable OD 8.0~10.0mm.  
M: With Yellow Color Seal 2, Cable OD 10.0~12.0mm.  
L: With Blue Color Seal 3, Cable OD 12.0~14.0mm.  
A: With Seal 1 & Seal 2 & Seal 3.



△B Note:

- \* ∅ Important Dimension
- \* Waterproof Rate: IP68, Mated  
IP68 : 1M Depth Of Water In 24hours
- \* Housing: Thermoplastic, Black
- \* Pin: Copper Alloy, Gold Plated
- \* Clamp Ring: Thermoplastic, Black
- \* Sealing Nut: Thermoplastic, Black
- \* Seals: Rubber

△E \* One set unassembled in one pe bag



UNIT:mm TOLERANCE ±0.5 mm		TITLE XLOK, D-20A, CABLE W/O SR M, F, FI CRIMP, XLOK △B	<h1>Amphenol LTW</h1> <p>安費諾亮泰企業股份有限公司</p>		ITEM NO DC-XXBMFA-QL8XPP △B	DRAWN BY Ruru	DATE 2019-11-18
		SCALE 1:1	SIZE A4	SHEET 1	OF 1	CHECKED BY Rita	DATE 2019-11-18
		REV. E	WC-REV. .0	QC: Inspection item	APPROVED BY Max	DATE 2019-11-18	