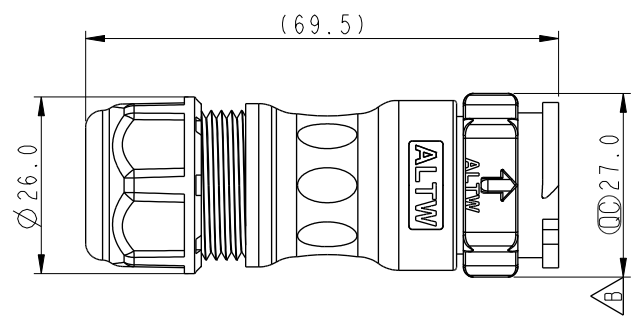
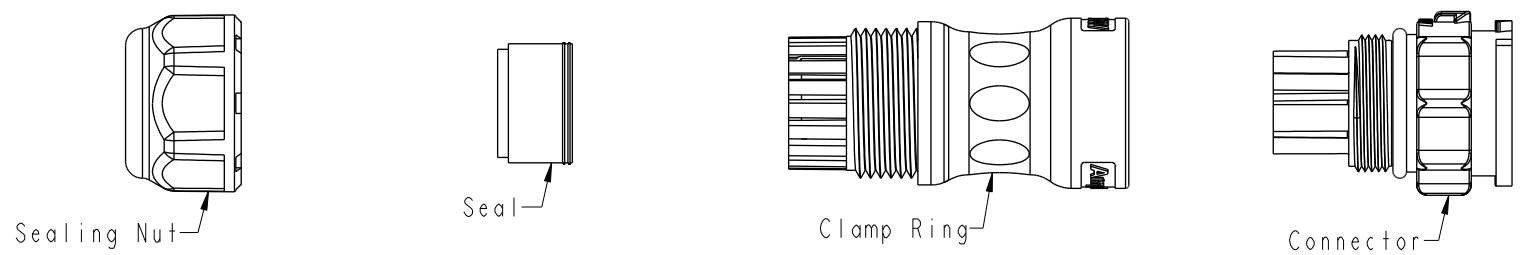


THIS DOCUMENT IS SUBJECT TO CHANGE WITHOUT NOTICE. IT IS CONFIDENTIAL AND A PROPERTY OF AMPHENOL LTW. DISCLOSURE TO THIRD PARTY HAS TO BE AUTHORIZED BY AMPHENOL LTW.

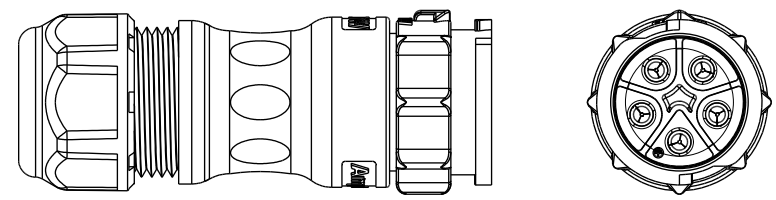
REV.	ECN NO.	DATE	SIGN	DESCRIPTION
C	C220112	2022/01/18	Ruru	△C XI
D	C220230	2022/02/16	Ruru	△D XI
E	C231239	2023/09/21	Vicky	△E XI



DC-XXBMMA-QL8XPP

02-2 Pin
03-3 Pin
05-5 Pin

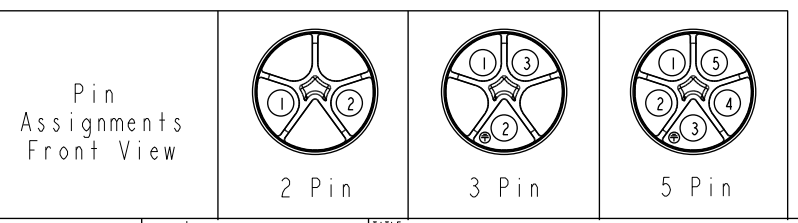
△C △D
S: With Red Color Seal 1, Cable OD 8.0~10.0mm.
M: With Yellow Color Seal 2, Cable OD 10.0~12.0mm.
L: With Blue Color Seal 3, Cable OD 12.0~14.0mm.
A: With Seal 1 & Seal 2 & Seal 3.



△B Note:

- * ∅ Important Dimension
- * Waterproof Rate: IP68, Mated
IP68 : 1M Depth Of Water In 24hours
- * Housing: Thermoplastic, Black
- * Pin: Copper Alloy, Gold Plated
- * Clamp Ring: Thermoplastic, Black
- * Sealing Nut: Thermoplastic, Black
- * Seals: Rubber

△E * One set unassembled in one pe bag



UNIT:mm		TITLE	XLOK, D-20A, CABLE W/O SR M, M, FI CRIMP, XLOK △B	
TOLERANCE	±0.5 mm	SCALE	1:1	SHEET 1 OF 1
		REV.	E	WC-REV. .0
				∅: Inspection item

Amphenol LTW
安費諾亮泰企業股份有限公司

ITEM NO	DC-XXBMMA-QL8XPP △B	DRAWN BY	Ruru	DATE	2019-11-19
DWG NO	ALTW	CHECKED BY	Rita	DATE	2019-11-19
CUSTOMER	ALTW	APPROVED BY	Max	DATE	2019-11-19