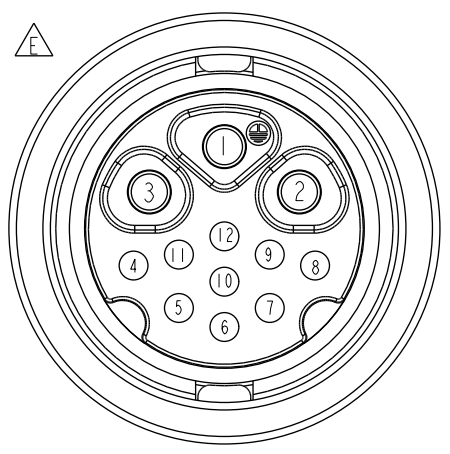
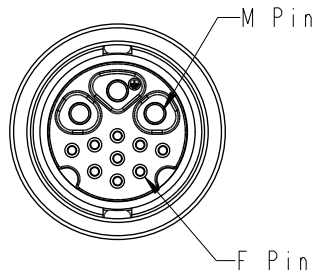
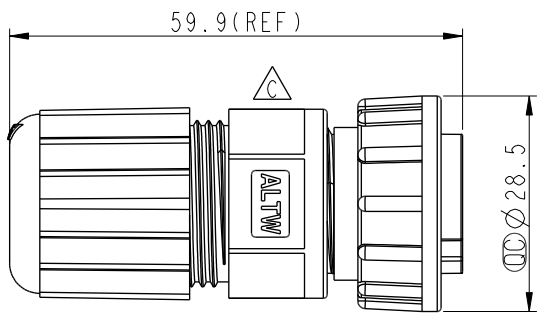
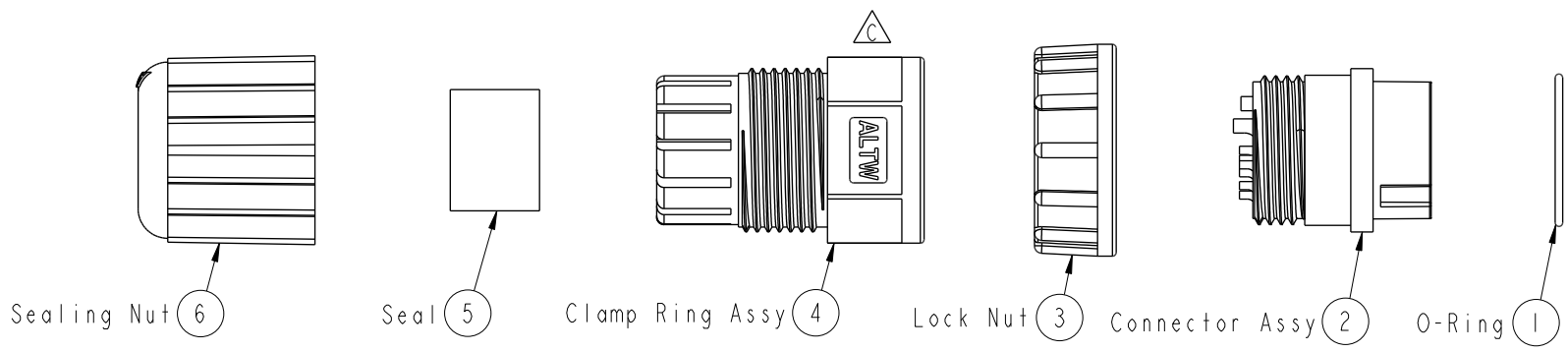


THIS DOCUMENT IS SUBJECT TO CHANGE WITHOUT NOTICE. IT IS CONFIDENTIAL AND A PROPERTY OF Amphenol LTW. DISCLOSURE TO THIRD PARTY HAS TO BE AUTHORIZED BY Amphenol LTW.

REV.	ECN NO.	DATE	SIGN	DESCRIPTION
D	LEN1680287	2016/08/08	Mafei	Updated The Note O-Ring Color
E	LEN1860123	2018/06/07	Jane	Updated Pin Number
F	C231272	2023/10/03	Vicky	$\triangle F$ X2



- Note:
- \*  $\text{CC}$  Important Dimension To Check.
  - \* Waterproof Rate: IP67
  - \* Connector: Nylon+GF, Black
  - \* Pin: Copper Alloy, Gold Plated
  - $\triangle D$  \* O-Ring: EPDM, Black
  - \* Lock Nut: Nylon+GF, Black
  - \* Clamp Ring: Nylon, Black
  - \* Seal: EPDM, Black
  - \* Sealing Nut: Nylon, Black
  - $\triangle B$  \* Cable OD Max :  $\phi 10.0 \sim \phi 12.4$ mm
  - $\triangle F$  \* One set unassembled in one pe bag

UNIT : mm	$\text{CC}$	$\text{CC}$
TOLERANCE		
.X	$\pm 0.25$	
.XX	$\pm 0.1$	
.XXX	$\pm 0.05$	
ANGLES	$\pm 1^\circ$	

TITLE O CERES, D-20A+5A, 12P, CABLE W/O SR F, M PWR+F SIG, FI SOLDER, 2LOCK $\triangle F$			
SCALE	SIZE	SHEET	OF
1:1	A4	1	1
REV.	WC-REV.	$\text{CC}$ : Inspection item	
F	B.4		

**Amphenol LTW**  
安費諾亮泰企業股份有限公司

ITEM NO	DCD-12BFEA-LL7001	DRAWN BY	Jane	DATE	2018/06/07
DWG NO	DCD-12BFEA-LL7001	CHECKED BY	Neo	DATE	2018/06/07
CUSTOMER	ALTW	APPROVED BY	Max	DATE	2018/06/07