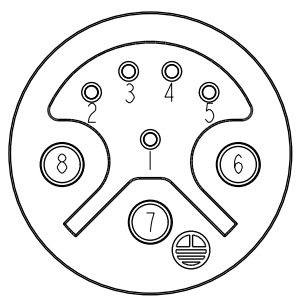
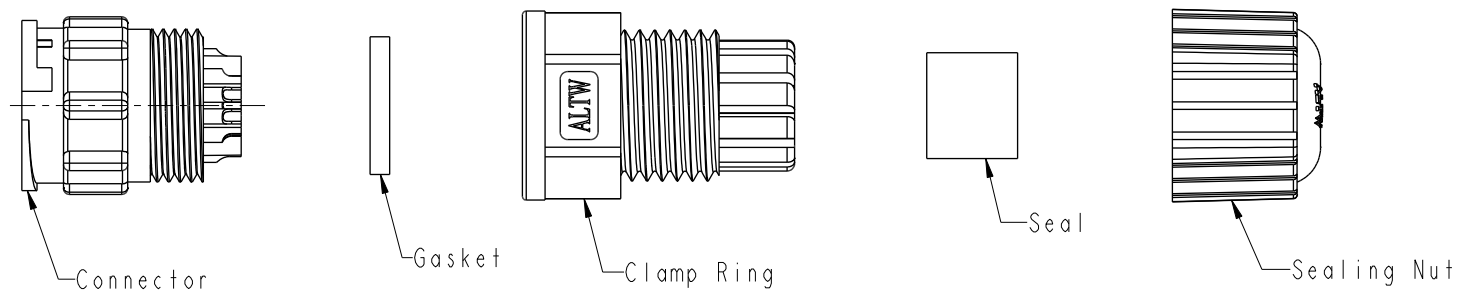
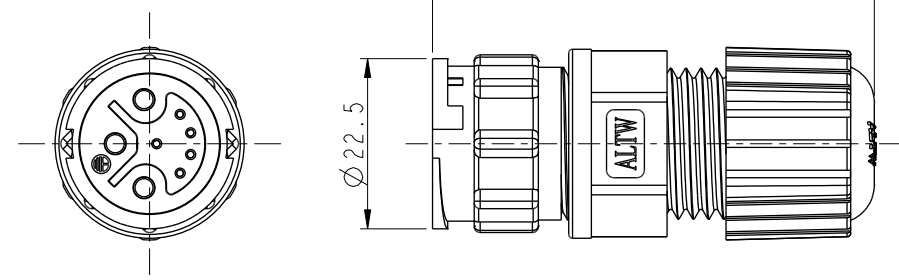


THIS DOCUMENT IS SUBJECT TO CHANGE WITHOUT NOTICE. IT IS CONFIDENTIAL AND A PROPERTY OF AMPHENOL LTW. DISCLOSURE TO THIRD PARTY HAS TO BE AUTHORIZED BY AMPHENOL LTW.

REV.	ECN NO.	DATE	SIGN	DESCRIPTION
B	LEN1350060	2013/04/24	Ruru	Modify Cable OD Max
C	LEN1670220	2016/07/18	Joyy	Modify The Color Of The Gasket
D	C231273	2023/10/04	Ruru	$\triangle D$ X2



Conn.  
Pin Assignments  
Front View



- $\triangle D$  Note:
- \*  $\text{CC}$  Important Dimension To Check.
  - \* Waterproof Rate: IP67, Mated
  - \* Connector: Thermoplastic, Black
  - \* Pin: Copper Alloy, Gold Plated
  - $\triangle C$  \* Gasket: Rubber, Black
  - \* Clamp Ring: Thermoplastic, Black
  - \* Seal: Rubber, Gray
  - \* Sealing Nut: Thermoplastic, Black
  - $\triangle B$  \* Cable OD Max:  $\varnothing 9.5 \sim \varnothing 10.8\text{mm}$
  - \* One set unassembled in one pe bag

A	UNIT:mm	$\text{CC}$	TITLE	<h2 style="text-align: center;">Amphenol LTW</h2> <p style="text-align: center;">安費諾亮泰企業股份有限公司</p>	ITEM NO	DRAWN BY	DATE
	TOLERANCE	$\text{CC}$	0 CERES, D-20A+2A, 08P, CABLE W/O SR M, M PWR+F SIG, FI SOLDER, 2LOCK $\triangle D$		DCU-08BMEA-LL7001	Joyy	2016-07-18
	.X $\pm 0.25$	$\text{CC}$	SCALE		DCU-08BMEA-LL7001	Ma Fei	2016-07-18
	.XX $\pm 0.1$	$\text{CC}$	SIZE		CUSTOMER	Jerry	2016-07-18
.XXX $\pm 0.05$	$\text{CC}$	A4	REV. D	ALTW			
ANGLES $\pm 1^\circ$	$\text{CC}$	SHEET 1 OF 1	WC-REV. B.3				
			$\text{CC}$ : Inspection item				