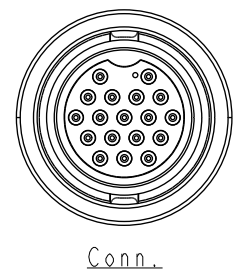
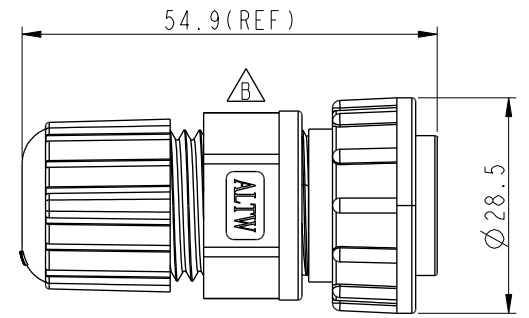
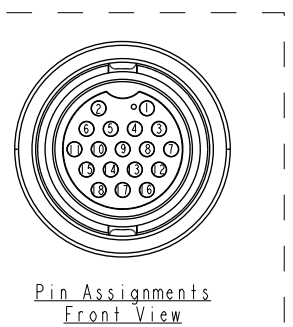
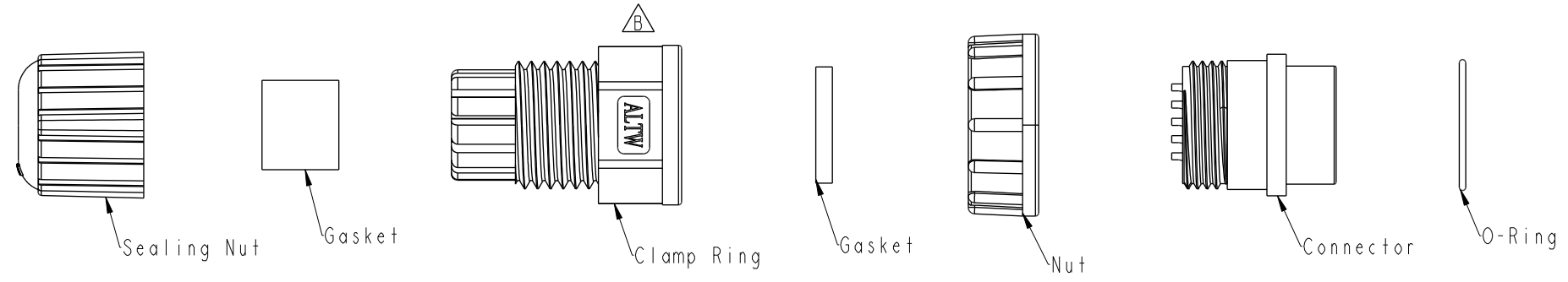


THIS DOCUMENT IS SUBJECT TO CHANGE WITHOUT NOTICE. IT IS CONFIDENTIAL AND A PROPERTY OF AMPHENOL LTW. DISCLOSURE TO THIRD PARTY HAS TO BE AUTHORIZED BY AMPHENOL LTW.

REV.	ECN NO.	DATE	SIGN	DESCRIPTION
B	LEN1530158	2014/12/17	Jinhai	Change Logo
C	LEN1670221	2016/07/18	Joyy	Add The Color Of The Gasket
D	C231273	2023/10/04	Ruru	$\triangle D$ X2



- $\triangle D$ Note:
- * $\text{\textcircled{C}}$ Important Dimension To Check.
 - * Waterproof Rate: IP67, Mated
 - * Housing: Thermoplastic, Black
 - * Pin: Copper Alloy, Gold Plated
 - * O-Ring: Rubber, Black
 - $\triangle C$ * Gasket: Rubber, Black
 - * Nut: Thermoplastic, Black
 - * Clamp Ring: Thermoplastic, Black
 - * Sealing Nut: Thermoplastic, Black
 - * Seal: Rubber, Black
 - * Seals For Cable OD: $\varnothing 5.5\text{mm} \sim 10.8\text{mm}$
 - * One set unassembled in one pe bag

UNIT: mm		
TOLERANCE	.X ± 0.25	
	.XX ± 0.1	
	.XXX ± 0.05	
ANGLES	$\pm 1^\circ$	

TITLE O CERES, D-5A, 18P, CABLE W/O SR F, M, FI SOLDER, 2LOCK $\triangle D$			
SCALE 1:1	SIZE A4	SHEET 1 OF 1	
REV. D	WC-REV. A.4	$\text{\textcircled{C}}$: Inspection item	

Amphenol LTW
安費諾亮泰企業股份有限公司

ITEM NO. DD-18BFMA-LL7001	DRAWN BY Joyy	DATE 2016-07-18
DWG NO. DD-18BFMA-LL7001	CHECKED BY Ma Fei	DATE 2016-07-18
CUSTOMER ALTW	APPROVED BY Jerry	DATE 2016-07-18