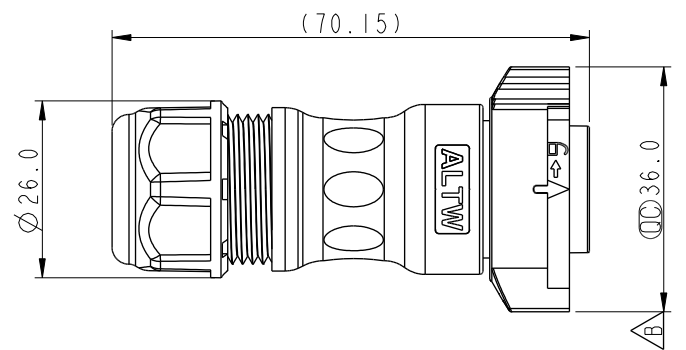
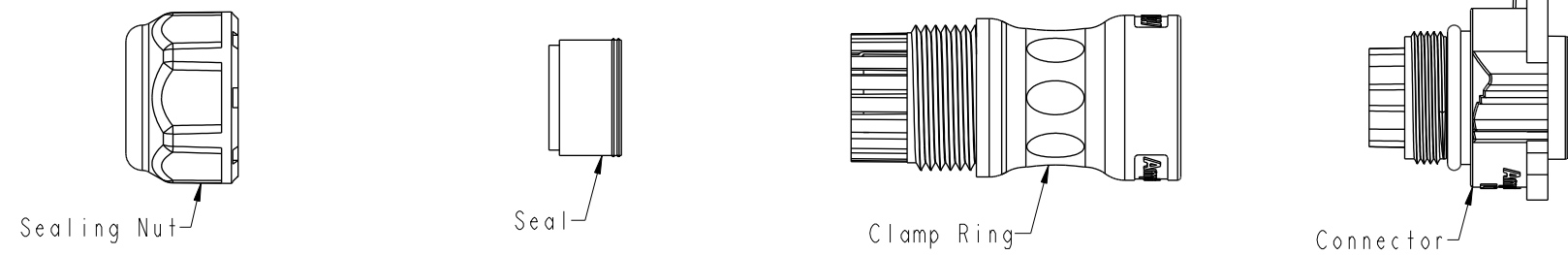


THIS DOCUMENT IS SUBJECT TO CHANGE WITHOUT NOTICE. IT IS CONFIDENTIAL AND A PROPERTY OF AMPHENOL LTW. DISCLOSURE TO THIRD PARTY HAS TO BE AUTHORIZED BY AMPHENOL LTW.

REV.	ECN NO.	DATE	SIGN	DESCRIPTION
C	C220112	2022/01/18	Ruru	△C XI
D	C220230	2022/02/16	Ruru	△D XI
E	C231239	2023/09/21	Vicky	△E XI

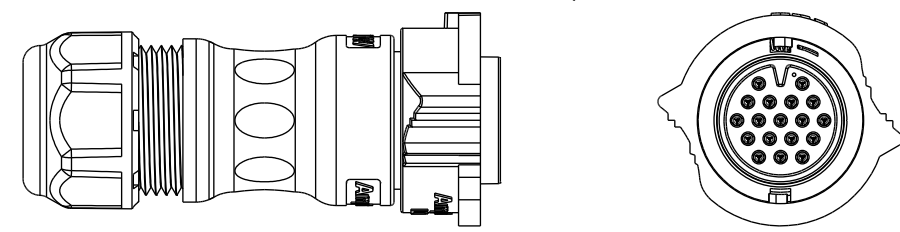


DD-XXBFMA-QL8XP0

12-12 Pin
14-14 Pin
18-18 Pin

△C △D

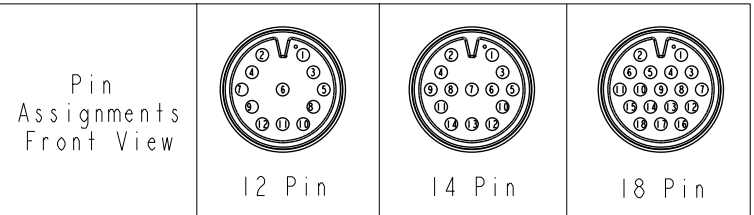
S: With Red Color Seal 1, Cable OD 8.0~10.0mm.
M: With Yellow Color Seal 2, Cable OD 10.0~12.0mm.
L: With Blue Color Seal 3, Cable OD 12.0~14.0mm.
A: With Seal 1 & Seal 2 & Seal 3.



△B Note:

- * ∅ Important Dimension
- * Waterproof Rate: IP68, Mated
IP68 : 1M Depth Of Water In 24hours
- * Housing: Thermoplastic, Black
- * Pin: Copper Alloy, Gold Plated
- * Clamp Ring: Thermoplastic, Black
- * Sealing Nut: Thermoplastic, Black
- * Seals: Rubber

△E * One set unassembled in one pe bag



UNIT:mm TOLERANCE ±0.5 mm		TITLE XLOK, D-5A, CABLE W/O SR F, M, FI CRIMP, XLOK △B	<h1>Amphenol LTW</h1> <p>安費諾亮泰企業股份有限公司</p>		ITEM NO ALTW	DRAWN BY Ruru	DATE 2019-11-19			
		SCALE 1:1			SIZE A4	SHEET 1	OF 1	DWG NO DD-XXBFMA-QL8XP0 △B	CHECKED BY Rita	DATE 2019-11-19
		REV. E			WC-REV. .0	QC: Inspection item	CUSTOMER	APPROVED BY Max	DATE 2019-11-19	