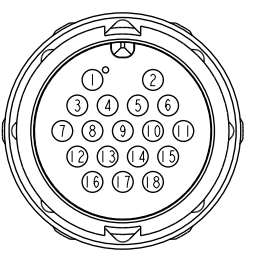
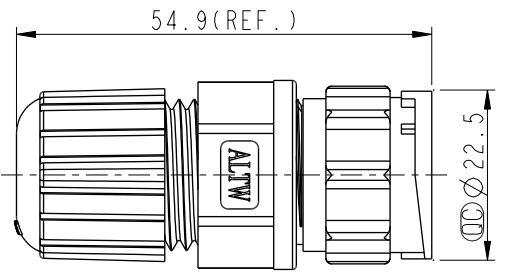
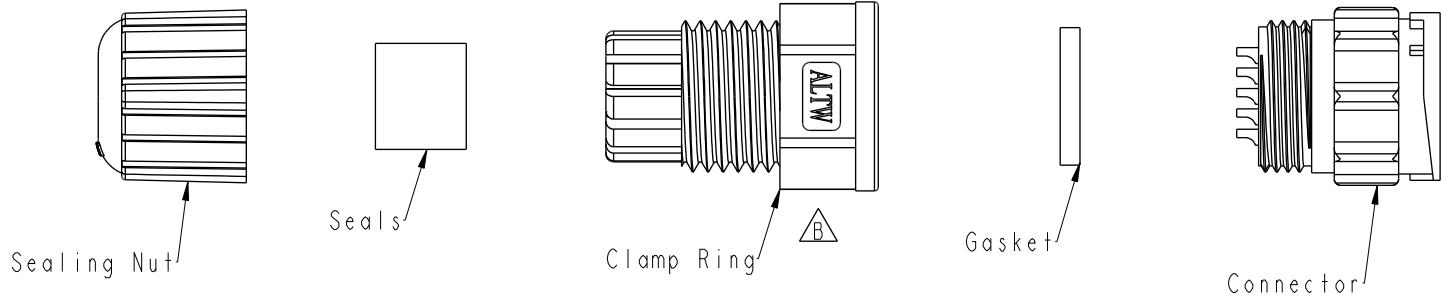
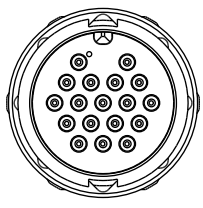


THIS DOCUMENT IS SUBJECT TO CHANGE WITHOUT NOTICE. IT IS CONFIDENTIAL AND A PROPERTY OF Amphenol LTW. DISCLOSURE TO THIRD PARTY HAS TO BE AUTHORIZED BY Amphenol LTW.

REV.	ECN NO.	DATE	SIGN	DESCRIPTION
B	LEN1741285	2017/04/20	Vicky	Update Logo
C	C231273	2023/10/04	Ruru	$\triangle$ C X2



Pin Assignments  
Front View



Conn

- $\triangle$ Note:
- \*  $\varnothing$  Important Dimension
  - \* Waterproof Rate: IP67, Mated
  - \* Housing: Thermoplastic, Black
  - \* Male Pin: Copper Alloy, Gold Plated
  - \* Gasket: Rubber, Black
  - \* Clamp Ring: Thermoplastic, Black
  - \* Sealing Nut: Rubber, Black
  - \* Seal: Rubber, Black
  - \* Seals For Cable OD:  $\varnothing 5.5\text{mm} \sim 10.8\text{mm}$
  - \* One set unassembled in one pe bag

UNIT: mm		
TOLERANCE		
.X	$\pm 0.25$	
.XX	$\pm 0.1$	
.XXX	$\pm 0.05$	
ANGLES	$\pm 1^\circ$	

TITLE O CERES, D-5A, 18P, CABLE W/O SR M, M, FI SOLDER, 2LOCK $\triangle$ C			
SCALE 1:1	SIZE A4	SHEET 1 OF 1	
REV. C	WC-REV. A.3	$\varnothing$ : Inspection item	

**Amphenol LTW**  
安費諾亮泰企業股份有限公司

ITEM NO DD-18BMMA-LL7001	DRAWN BY Vicky	DATE 2017-04-20
DWG NO DD-18BMMA-LL7001	CHECKED BY Rita	DATE 2017-04-20
CUSTOMER ALTW	APPROVED BY Max	DATE 2017-04-20