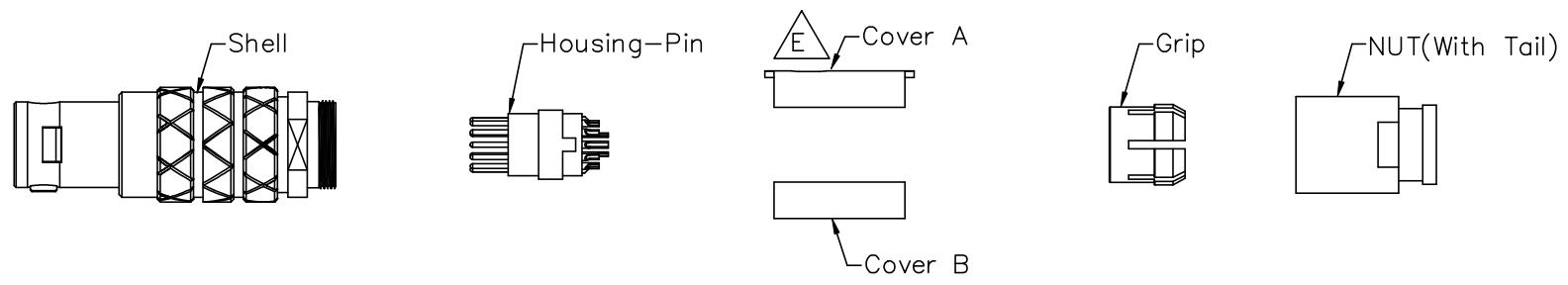
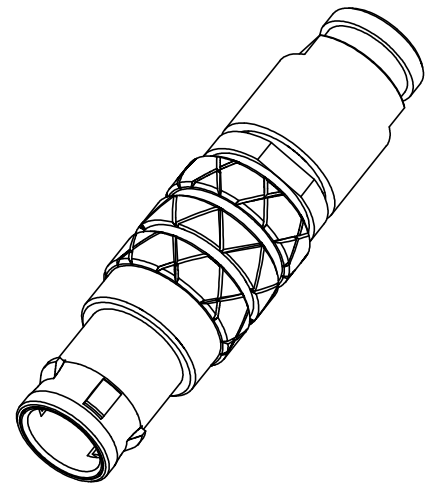
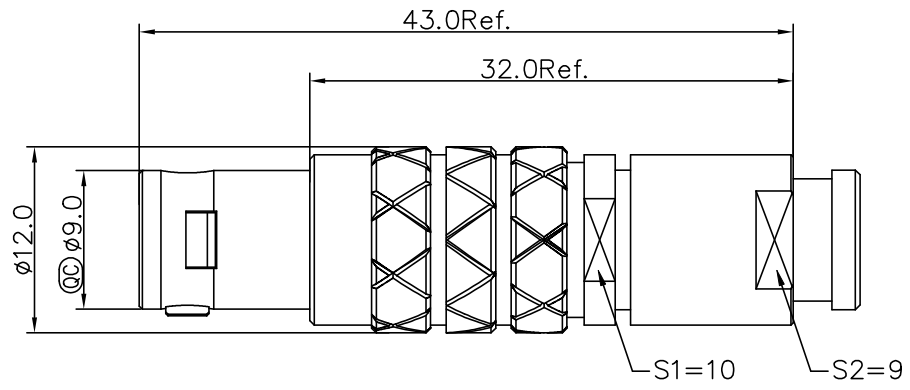


REV.	ECN NO.	DATE	SIGN	DESCRIPTION
C	C190181	2019/01/29	Ouyang	Change PIN Number
D	C191570	2019/09/05	Ouyang	Change Cable dia range
E	C231360	2023/10/26	Ouyang	△ X3



Notes:  
 \* Ⓞ Important Dimensions To Check.  
 \* Male Pin: Copper Alloy, Gold Plated.

UNIT: mm	TITLE FLOS, LB-SER, SZ 1, FI M M, SOLDER	
TOLERANCE ±0.5MM	SCALE Free	SHEET 1 OF 2
REV. E	SIZE A4	Ⓞ : Inspection Item

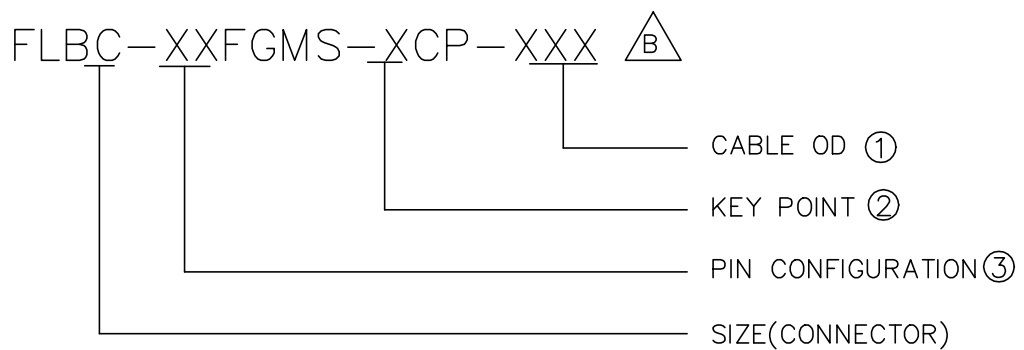
**Amphenol LTW**  
 安費諾亮泰企業股份有限公司

ITEM NO	DRAWN BY Ouyang	DATE 2019/09/04
DWG NO FLBC-XXFGMS-XCP-XXX	CHECKED BY Mafei	DATE 2019/09/04
CUSTOMER ALTW	APPROVED BY Jerry	DATE 2019/09/04

THIS DOCUMENT IS SUBJECT TO CHANGE WITHOUT NOTICE. IT IS CONFIDENTIAL AND A PROPERTY OF Amphenol LTW. DISCLOSURE TO THIRD PARTY HAS TO BE AUTHORIZED BY Amphenol LTW.

THIS DOCUMENT IS SUBJECT TO CHANGE WITHOUT NOTICE. IT IS CONFIDENTIAL AND A PROPERTY OF Amphenol LTW. DISCLOSURE TO THIRD PARTY HAS TO BE AUTHORIZED BY Amphenol LTW.

1B-SERIES CABLE COLLET(CABLE OD)			
CABLE CLAMP SET		CABLE DIA RANGE	
TYPE	CODE ①	MAX	MIN <sup>△D</sup>
<sup>△B</sup> FLBC-XXFGMS-XCP-XXX	202	3.2	2.7
	204	4.2	3.3
	207	5.2	4.3
	211	6.2	5.3
	214	7.2	6.3
	--	--	--



KEY POINT ②						
CODE	G	A	B	C	J	F
	0°	30°	60°	90°	45°	155°
GRAPHIC						

PIN CONFIGURATION (Solder Definition) <sup>△C</sup>										
GRAPHIC										
	2 PIN	3 PIN	4 PIN	5 PIN	6 PIN	7 PIN	8 PIN	10 PIN	14 PIN	16 PIN

UNIT: mm		TITLE
TOLERANCE	±0.5MM	FLOS, LB-SER, SZ 1, FI M M, SOLDER <sup>△E</sup>
SCALE	Free	SHEET 2 OF 2
REV. E	SIZE A4	QC: Inspection Item

**Amphenol LTW**  
安費諾亮泰企業股份有限公司

ITEM NO	DRAWN BY	DATE
DWG NO FLBC-XXFGMS-XCP-XXX	Ouyang	2019/09/04
CUSTOMER	CHECKED BY	DATE
ALTW	Mafei	2019/09/04
	APPROVED BY	DATE
	Jerry	2019/09/04