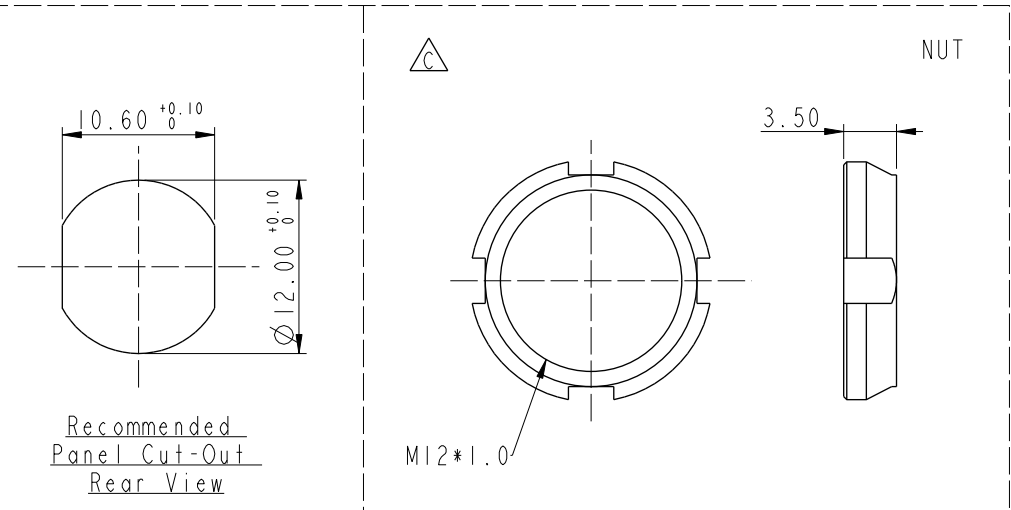
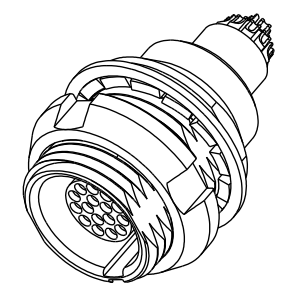
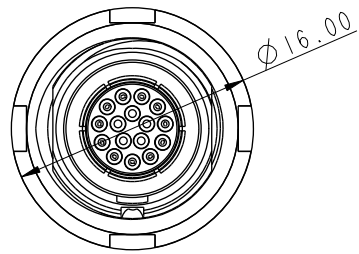
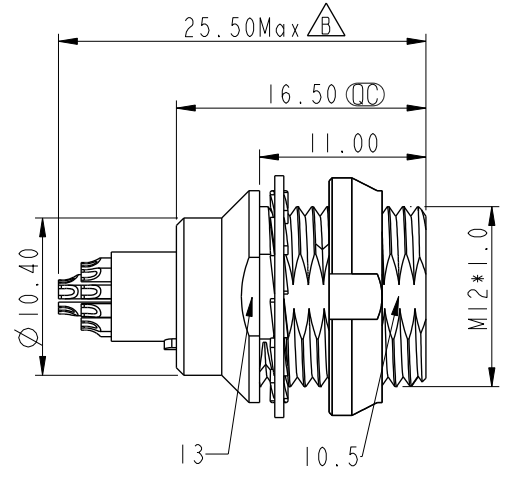


THIS DOCUMENT IS SUBJECT TO CHANGE WITHOUT NOTICE. IT IS CONFIDENTIAL AND A PROPERTY OF AMPHENOL LTW. DISCLOSURE TO THIRD PARTY HAS TO BE AUTHORIZED BY AMPHENOL LTW.

REV.	ECN NO.	DATE	SIGN	DESCRIPTION
B	C220669	2022-05-11	Ouyang	$\triangle B$ X2
C	C231360	2023-10-20	Ouyang	$\triangle C$ X3



- Note: $\triangle B$
- * RoHS Compliant
 - * \square Important Dimension
 - * Connector
 - Housing: Thermoplastic, Beige
 - Pin: Copper Alloy, Gold Plated
 - * Shield: Meta
 - * Nut: Metal
 - * Use without waterproof cap or dust cap
 - * Panel thickness max: 6.0mm
 - * Metal Gasket and nut are assembled on connectors

UNIT:mm		
TOLERANCE	$\pm 0.5\text{mm}$	

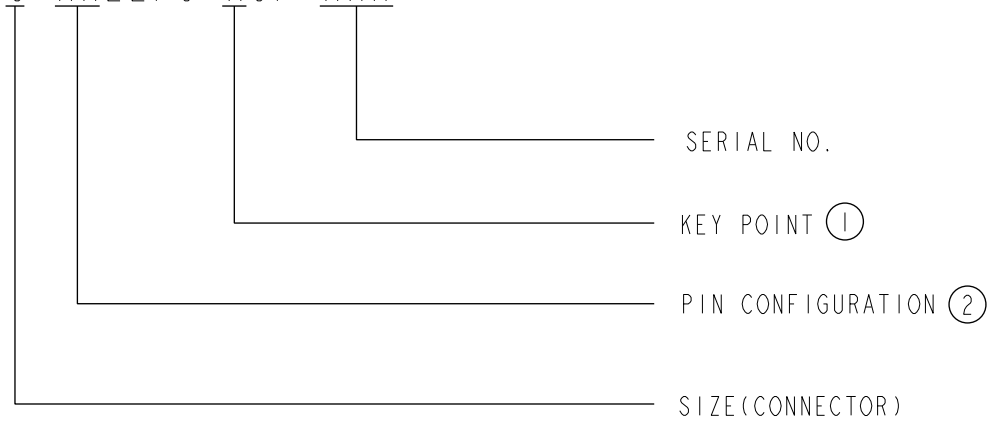
TITLE FLOS, LB-SER, SZ 1, PANEL F S/NUT $\triangle C$			
SCALE 1:1	SIZE A4	SHEET 1 OF 2	
REV. C	WC-REV. A.1	\square : Inspection item	

Amphenol LTW
安費諾亮泰企業股份有限公司

ITEM NO.	DRAWN BY Ouyang	DATE 2019-05-16
DWG NO. FLBC-XXEFS-XCP-XXX	CHECKED BY Jerry	DATE 2019-05-16
CUSTOMER ALTW	APPROVED BY Fred	DATE 2019-05-16

THIS DOCUMENT IS SUBJECT TO CHANGE WITHOUT NOTICE. IT IS CONFIDENTIAL AND A PROPERTY OF Amphenol LTW. DISCLOSURE TO THIRD PARTY HAS TO BE AUTHORIZED BY Amphenol LTW.

FLBC-XXEFS-XCP-XXX



KEY POINT (1)

CODE	G	A	B	C	J	F
	0°	30°	60°	90°	45°	155°
GRAPHIC						

PIN CONFIGURATION (Solder Definition) (2)

GRAPHIC										
	2PIN	3PIN	4PIN	5PIN	6PIN	7PIN	8PIN	10PIN	14PIN	16PIN

UNIT:mm		
TOLERANCE		
±0.5mm		

TITLE FLOS, LB-SER, SZ 1, PANEL F S/NUT F, SOLDER		
SCALE 1:1	SIZE A4	SHEET 2 OF 2
REV. C	WC-REV. A.1	QC: Inspection item

Amphenol LTW
安費諾亮泰企業股份有限公司

ITEM NO	DRAWN BY Ouyang	DATE 2019-05-16
DWG NO FLBC-XXEFS-XCP-XXX	CHECKED BY Jerry	DATE 2019-05-16
CUSTOMER ALTW	APPROVED BY Fred	DATE 2019-05-16