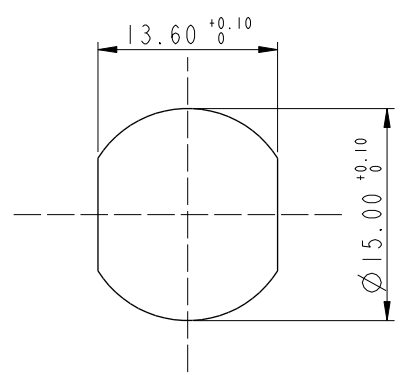
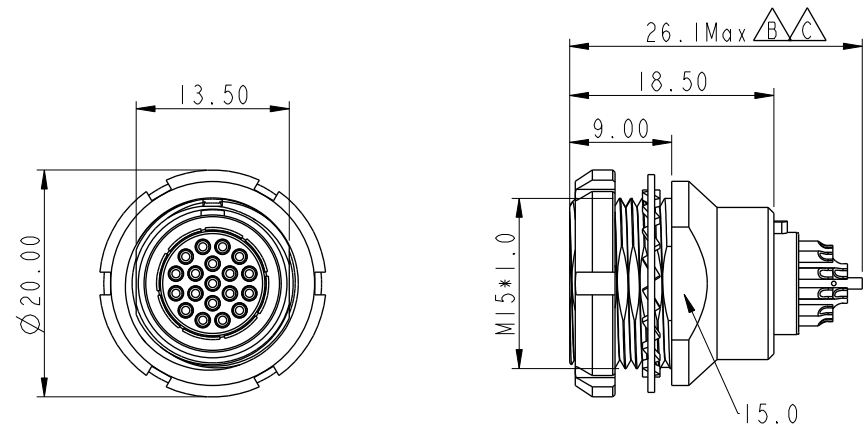
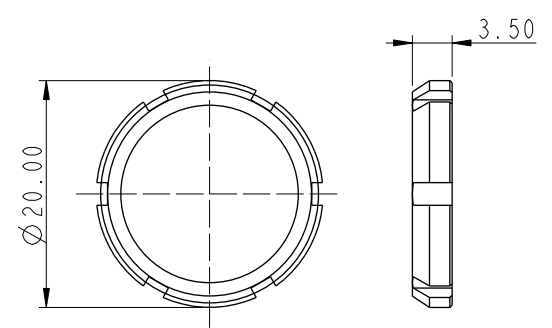


THIS DOCUMENT IS SUBJECT TO CHANGE WITHOUT NOTICE. IT IS CONFIDENTIAL AND A PROPERTY OF Amphenol LTW. DISCLOSURE TO THIRD PARTY HAS TO BE AUTHORIZED BY Amphenol LTW.

REV.	ECN NO.	DATE	SIGN	DESCRIPTION
B	C220669	2022-05-11	Ouyang	\triangle_B X2
C	C231360	2023-10-20	Ouyang	\triangle_C X3



Recommended
Panel Cut-Out
Rear View



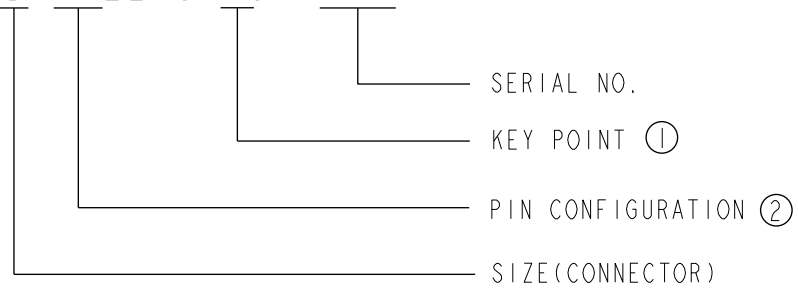
NUT

- Note: \triangle_B
- * RoHS Compliant
 - * CC Important Dimension
 - * Connector
 - Housing: Thermoplastic, Beige
 - Pin: Copper Alloy, Gold Plated
 - * Shield: Meta
 - * Nut: Metal
 - * Use without waterproof cap or dust cap
 - Panel thickness max: 4.0mm
 - * Metal Gasket and nut are assembled on connectors

A	UNIT: mm			TITLE	FLOS, LB-SER, SZ 2, PANEL F S/NUT		ITEM NO.	DRAWN BY	DATE	
	TOLERANCE	$\pm 0.5\text{mm}$		SCALE	1:1	SIZE	A4	CHECKED BY	DATE	
				REV.	C	WC-REV.	A.1	APPROVED BY	DATE	
				SHEET	1	OF	2			
				CC : Inspection item	Amphenol LTW		CUSTOMER	ALTW	2019-05-17	
				安費諾亮泰企業股份有限公司				2019-05-17		
								2019-05-17		

THIS DOCUMENT IS SUBJECT TO CHANGE WITHOUT NOTICE. IT IS CONFIDENTIAL AND A PROPERTY OF Amphenol LTW. DISCLOSURE TO THIRD PARTY HAS TO BE AUTHORIZED BY Amphenol LTW.

FLBD-XXEFS-XCP-XXX



KEY POINT ①						
CODE	G	A	B	C	J	F
GRAPHIC	0°	30°	45°	60°	37.5°	145°

PIN CONFIGURATION (Solder Definition) ②

GRAPHIC							
	2 PIN	3 PIN	4 PIN	5 PIN	6 PIN	7 PIN	
GRAPHIC							
	8 PIN	10 PIN	12 PIN	14 PIN	16 PIN	18 PIN	19 PIN

UNIT: mm	
TOLERANCE	±0.5mm

TITLE FLOS, LB-SER, SZ 2, PANEL F S/NUT F, SOLDER			
SCALE 1:1	SIZE A4	SHEET 2 OF 2	
REV. C	WC-REV. A.1	QC: Inspection item	

Amphenol LTW
安費諾亮泰企業股份有限公司

ITEM NO	FLBD-XXEFS-XCP-XXX
DWG NO	FLBD-XXEFS-XCP-XXX
CUSTOMER	ALTW

DRAWN BY Ouyang	CHECKED BY Jerry
APPROVED BY Fred	

DATE 2019-05-17	DATE 2019-05-17
DATE 2019-05-17	