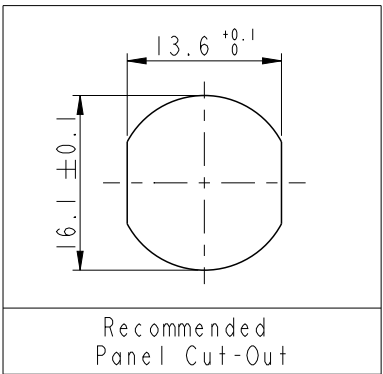
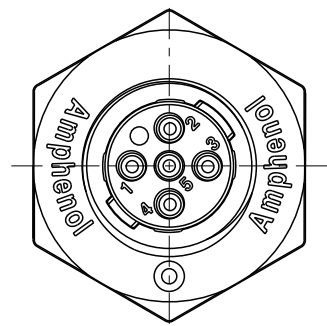
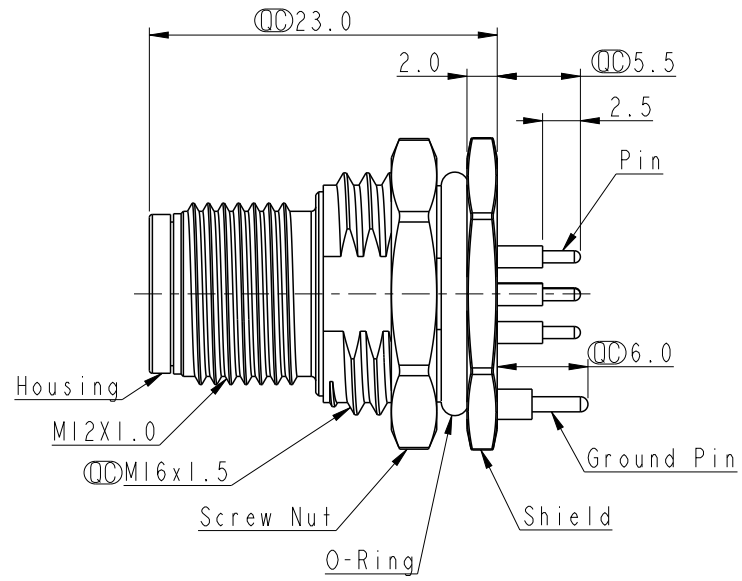
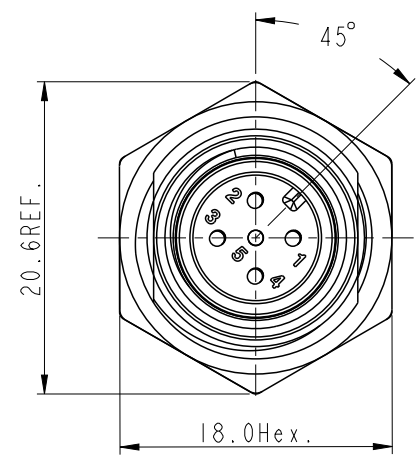


THIS DOCUMENT IS SUBJECT TO CHANGE WITHOUT NOTICE. IT IS CONFIDENTIAL AND A PROPERTY OF Amphenol LTW. DISCLOSURE TO THIRD PARTY HAS TO BE AUTHORIZED BY Amphenol LTW.

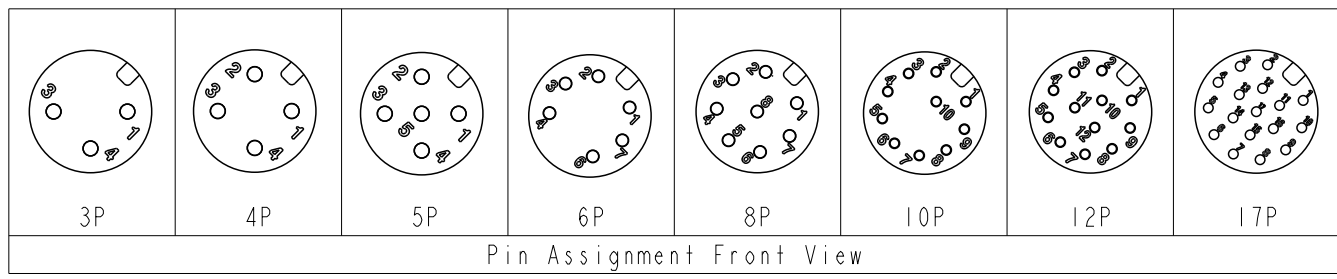
REV.	ECN NO.	DATE	SIGN	DESCRIPTION
A		2023-10-11	Sam Ho	Rev.01 to A, Initial Released



HDMI2-XXPMMP-SF8002  
 XX: No. Of Pin



- Note:
- \* RoHS Compliant
  - \*  $\varnothing$  Important dimension
  - \* Waterproof rate: IP68, unmated 1m/24h  
IP69K, mated
  - \* Connector
    - Housing: Thermoplastic, Black
    - Pin: Copper alloy, Gold plated
  - \* Shield: Metal
  - \* Screw Nut: Metal
  - \* Ground Pin: Metal
  - \* O-Ring: Rubber, Black
  - \* For panel thickness max: 4.5mm
  - \* Nut is packed separately in pe bag



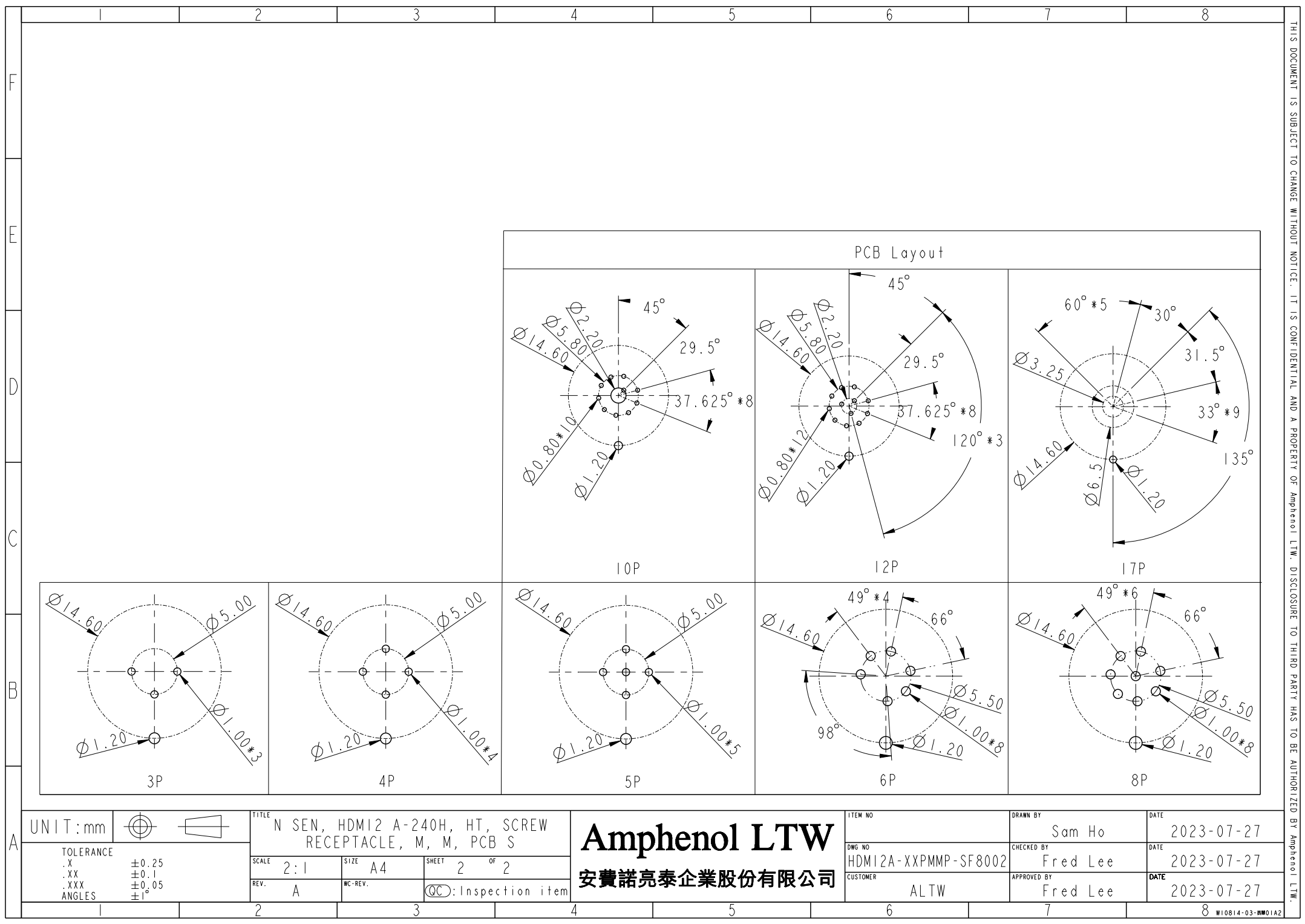
UNIT: mm		
TOLERANCE	.X ±0.25	
.XX ±0.1		
.XXX ±0.05		
ANGLES	±1°	

TITLE N SEN, HDMI2 A-240H, HT, SCREW RECEPTACLE, M, M, PCB S		
SCALE 2:1	SIZE A4	SHEET 1 OF 2
REV. A	WC-REV.	$\varnothing$ : Inspection item

**Amphenol LTW**  
 安費諾亮泰企業股份有限公司

ITEM NO.	DRAWN BY Sam Ho	DATE 2023-07-27
DWG NO. HDMI2A-XXPMMP-SF8002	CHECKED BY Fred Lee	DATE 2023-07-27
CUSTOMER ALTW	APPROVED BY Fred Lee	DATE 2023-07-27

THIS DOCUMENT IS SUBJECT TO CHANGE WITHOUT NOTICE. IT IS CONFIDENTIAL AND A PROPERTY OF Amphenol LTW. DISCLOSURE TO THIRD PARTY HAS TO BE AUTHORIZED BY Amphenol LTW.



UNIT: mm		
TOLERANCE	.X	±0.25
	.XX	±0.1
	.XXX	±0.05
ANGLES		±1°

TITLE N SEN, HDMI2 A-240H, HT, SCREW RECEPTACLE, M, M, PCB S			
SCALE	2:1	SIZE	A4
SHEET	2	OF	2
REV.	A	WC-REV.	☉: Inspection item

**Amphenol LTW**  
安費諾亮泰企業股份有限公司

ITEM NO	
DWG NO	HDMI2A-XXPMMP-SF8002
CUSTOMER	ALTW

DRAWN BY	Sam Ho
CHECKED BY	Fred Lee
APPROVED BY	Fred Lee

DATE	2023-07-27
DATE	2023-07-27
DATE	2023-07-27