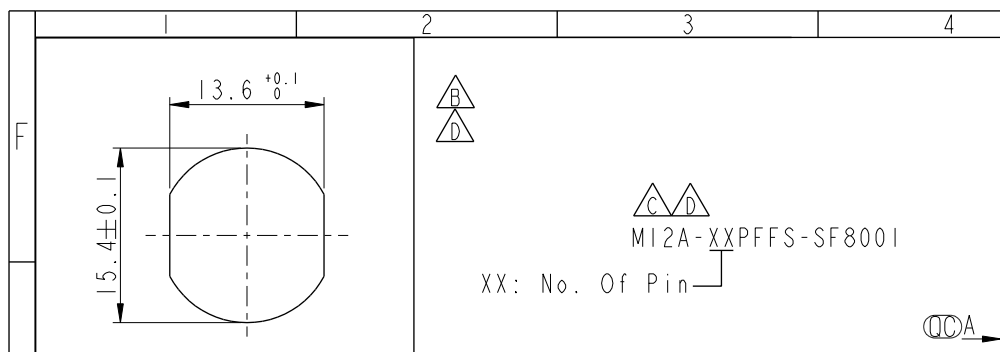
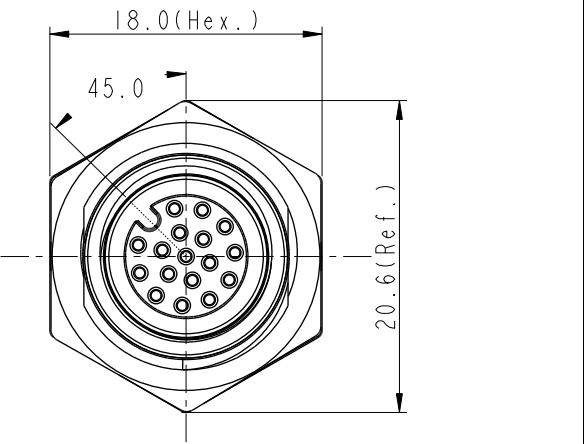
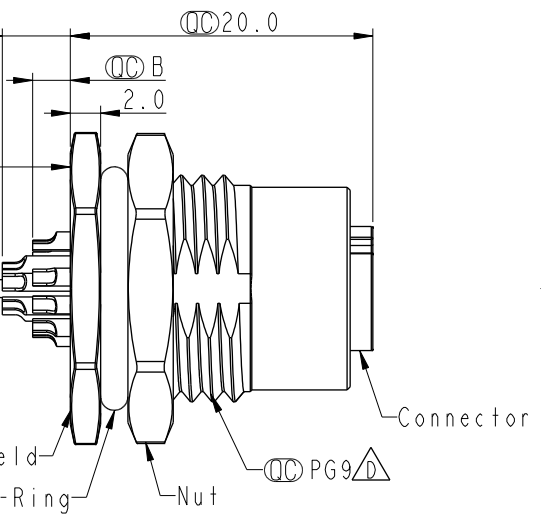
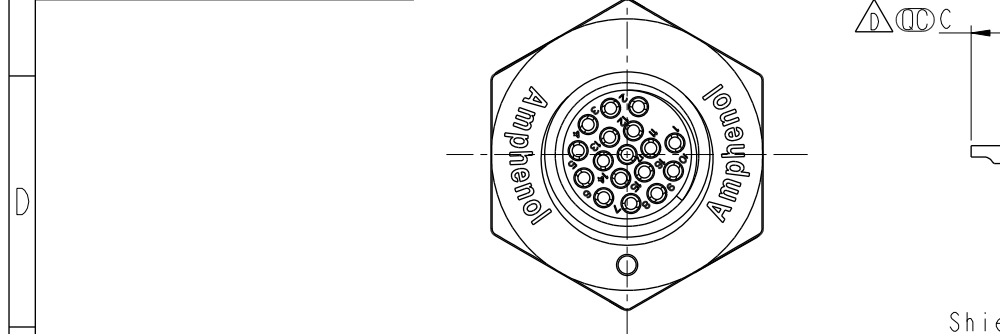


THIS DOCUMENT IS SUBJECT TO CHANGE WITHOUT NOTICE. IT IS CONFIDENTIAL AND A PROPERTY OF Amphenol LTW. DISCLOSURE TO THIRD PARTY HAS TO BE AUTHORIZED BY Amphenol LTW.

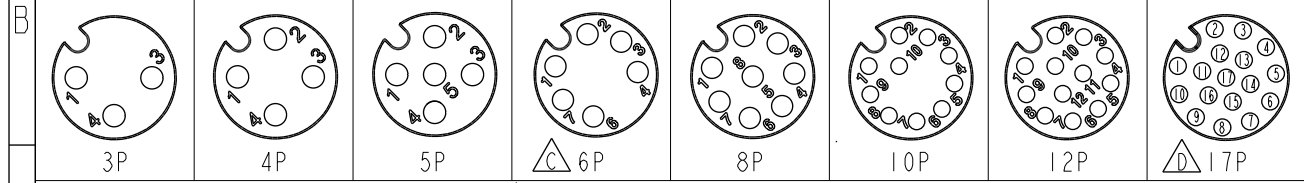
REV.	ECN NO.	DATE	SIGN	DESCRIPTION
E	C210309	2021/02/24	Ruru	X2
F	C221973	2022/12/21	Ruru	X1
G	C231034	2023/08/08	Ruru	X1



Recommended Panel Cut-Out



Item No.	A	B	C
MI2A-03PFFS-SF8001		2.5	
MI2A-04PFFS-SF8001		2.5	
MI2A-05PFFS-SF8001		2.5	
MI2A-06PFFS-SF8001		2.5	
MI2A-08PFFS-SF8001		2.5	
MI2A-10PFFS-SF8001	4.5	2.5	
MI2A-12PFFS-SF8001	4.5	2.5	
MI2A-17PFFS-SF8001	4.5	2.5	6.5



Pin Assignment Front View

- Note:**
- * RoHS Compliant
 - * (C) Important dimension
 - * Waterproof rate: IP68, unmated 1m/24h; IP69K, mated
 - * Connector
 - Housing: Thermoplastic, Black
 - Pin: Copper alloy, Gold plated
 - O-Ring: Rubber, Green
 - * Shield: Metal
 - * Nut: Metal
 - * O-Ring: Rubber, Black
 - * For panel thickness max: 4.5mm
 - * Nut is packed separately in pe bag

UNIT: mm		TITLE N SEN, MI2 A, SCREW RECEPTACLE, F, F, SOLDER
TOLERANCE .X ±0.25 .XX ±0.1 .XXX ±0.05 ANGLES ±1°	SCALE 3:2 SIZE A4 SHEET 1 OF 1 REV. G WC-REV. A.5	 (C) Inspection item

Amphenol LTW
安費諾亮泰企業股份有限公司

ITEM NO.	DRAWN BY	DATE
	Yulong_wang	2016-08-06
DWG NO.	CHECKED BY	DATE
MI2A-XXPFFS-SF8001	Jinhai	2016-08-06
CUSTOMER	APPROVED BY	DATE
ALTW	Jerry	2016-08-06