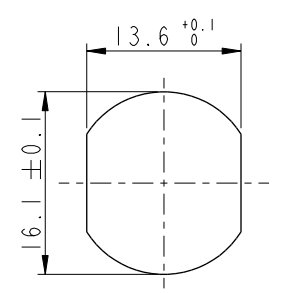
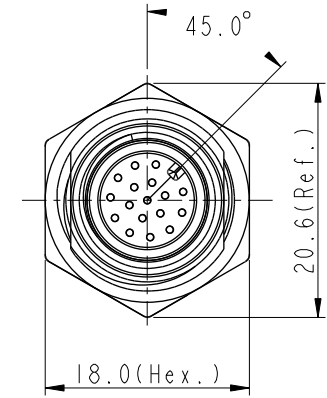
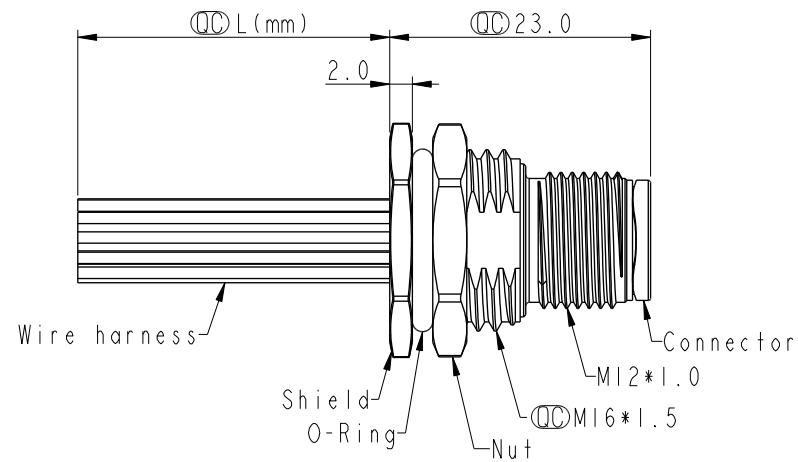
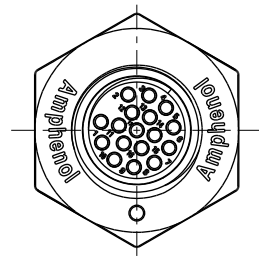


THIS DOCUMENT IS SUBJECT TO CHANGE WITHOUT NOTICE. IT IS CONFIDENTIAL AND A PROPERTY OF Amphenol LTW. DISCLOSURE TO THIRD PARTY HAS TO BE AUTHORIZED BY Amphenol LTW.

REV.	ECN NO.	DATE	SIGN	DESCRIPTION
I	C221878	2022/12/19	Ruru	△ XI
J	C231031	2023/08/04	Ruru	△ J XI
K	C240700	2024/06/20	Ruru	△ K X2



Recommended Panel Cut-Out

- Note: △ C △ D △ F △ G △ H
- \* RoHS Compliant
  - \* Ⓞ Important dimension
  - △ \* Waterproof rate: IP68, unmated 1m/24h  
△ IP69K, mated
  - \* Connector  
Housing: Thermoplastic, Black  
Pin: Copper alloy, Gold plated
  - \* Shield: Metal
  - \* Nut: Metal
  - \* O-Ring: Rubber, Black
  - \* Wire harness: UL1061
  - \* For panel thickness max: 4.5mm
  - \* O-Ring and nut are assembled on connectors
  - △ \* Wire harness tolerance: 150mm < L ≤ 300mm: ±15mm  
300mm < L ≤ 1000mm: ±20mm  
1000mm < L ≤ 1500mm: +50/-0mm

UNIT: mm	
TOLERANCE	
.X	±0.25
.XX	±0.1
.XXX	±0.05
ANGLES	±1°

TITLE N SEN, M12 A, SCREW RECEPTACLE, M, M, FI/PANEL CRIMP			
SCALE 1:1	SIZE A4	SHEET 1 OF 2	
REV. K	WC-REV. A.5	Ⓞ: Inspection item	

**Amphenol LTW**  
安費諾亮泰企業股份有限公司


ITEM NO	DRAWN BY Ruru	DATE 2024-06-20
DWG NO △ M12A-XXPMMC-SF8CXX	CHECKED BY Rita	DATE 2024-06-20
CUSTOMER ALTW	APPROVED BY Fred	DATE 2024-06-20

THIS DOCUMENT IS SUBJECT TO CHANGE WITHOUT NOTICE. IT IS CONFIDENTIAL AND A PROPERTY OF Amphenol LTW. DISCLOSURE TO THIRD PARTY HAS TO BE AUTHORIZED BY Amphenol LTW.

E	17P	26	M12A-17PMMC-SF8CXX
	5P	22	M12A-05PMMC-SF8CXX
	4P		M12A-04PMMC-SF8CXX
	3P		M12A-03PMMC-SF8CXX
Contacts	AWG	Item No.	

  
 M12A-XXPMMC-SF8CXX

XX: No. Of Pin

  
 15: 150mm  
 20: 200mm  
 ↓  
 95: 950mm  
 Cable Pitch Unit=50mm  
  
 A0: 1000mm  
 ↓  
 A5: 1500mm  
 Cable Pitch Unit=100mm  
 Wire Length (L): 150~1500 mm

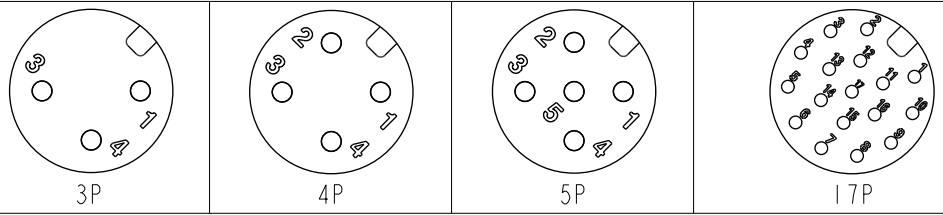


17	White/Gray	白/灰
16	Yellow/Brown	黃/棕
15	White/Yellow	白/黃
14	Brown/Green	棕/綠
13	White/Green	白/綠
12	Red/Blue	紅/藍
11	Gray/Pink	灰/粉
10	Violet	紫
9	Red	紅
8	Gray	灰
7	Black	黑
6	Yellow	黃
5	Pink	粉
4	Green	綠
3	White	白
2	Blue	藍
1	Brown	棕


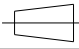

5	--	黑	5	--	灰
4	Black	黑	4	Black	黑
3	Blue	藍	3	Blue	藍
2	--	白	2	White	白
1	Brown	棕	1	Brown	棕

Pin # Wire Pin # Wire Pin # Wire Pin # Wire


Pin Out



Pin Assignments Front View

UNIT: mm			TITLE N SEN, M12 A, SCREW RECEPTACLE, M, M, FI/PANEL CRIMP	
TOLERANCE .X ±0.25 .XX ±0.1 .XXX ±0.05 ANGLES ±1°	SCALE 1:1		SIZE A4	SHEET 2 OF 2
REV. K		WC-REV. A.5	QC: Inspection item	

**Amphenol LTW**  
 安費諾亮泰企業股份有限公司

ITEM NO	DRAWN BY Ruru	DATE 2024-06-20
DWG NO  M12A-XXPMMC-SF8CXX	CHECKED BY Rita	DATE 2024-06-20
CUSTOMER ALTW	APPROVED BY Fred	DATE 2024-06-20