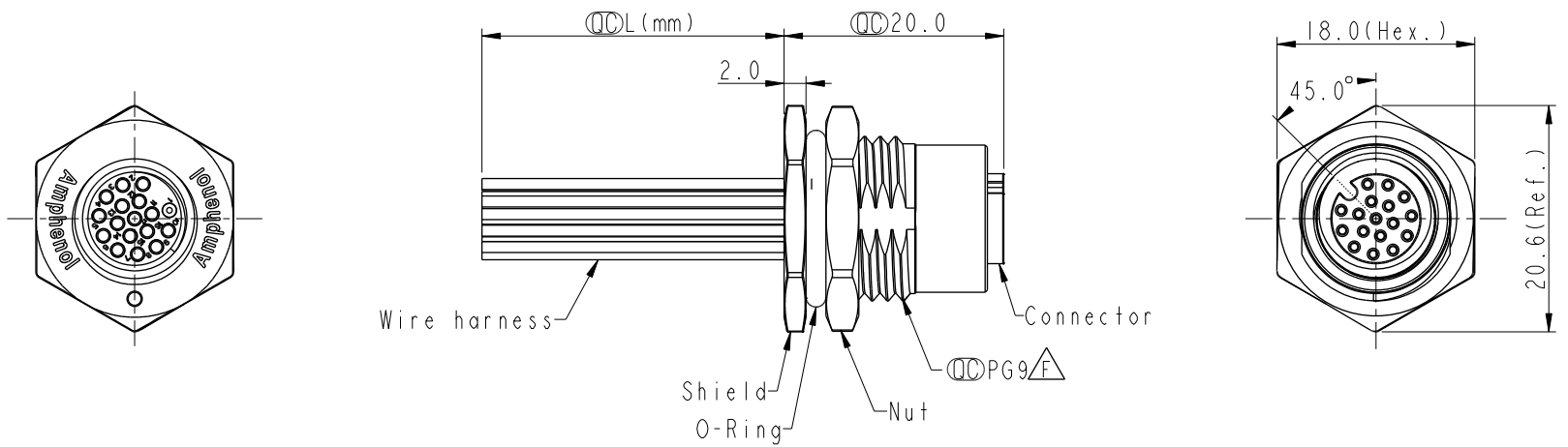
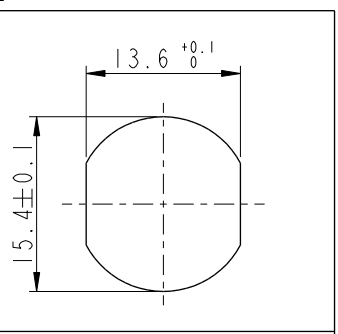


THIS DOCUMENT IS SUBJECT TO CHANGE WITHOUT NOTICE. IT IS CONFIDENTIAL AND A PROPERTY OF Amphenol LTW. DISCLOSURE TO THIRD PARTY HAS TO BE AUTHORIZED BY Amphenol LTW.

REV.	ECN NO.	DATE	SIGN	DESCRIPTION
H	C221878	2022/12/19	Ruru	X1
I	C231031	2023/08/04	Ruru	X1
J	C240700	2024/06/18	Ruru	X2



- Note:
- * RoHS Compliant
 - * Important dimension
 - * Waterproof rate: IP68, unmated 1m/24h
 IP69K, mated
 - * Connector
 Housing: Thermoplastic, Black
 Pin: Copper alloy, Gold plated
 O-Ring: Rubber, Green
 - * Shield: Metal
 - * Nut: Metal
 - * O-Ring: Rubber, Black
 - * Wire harness: UL1061
 - * For panel thickness max: 4.5mm
 - * O-Ring and nut are assembled on connectors
 - * Wire harness tolerance: 150mm < L ≤ 300mm: ±15mm
 300mm < L ≤ 1000mm: ±20mm
 1000mm < L ≤ 1500mm: +50/-0mm



Recommended Panel Cut-Out

UNIT: mm	
TOLERANCE	
.X	±0.25
.XX	±0.1
.XXX	±0.05
ANGLES	±1°

TITLE N SEN, M12 A, SCREW RECEPTACLE, F, F, FI/PANEL CRIMP		
SCALE 3:2	SIZE A4	SHEET 1 OF 2
REV. J	WC-REV. A.3	: Inspection item

Amphenol LTW
 安費諾亮泰企業股份有限公司

ITEM NO. M12A-XXPFFC-SF8BXX	DRAWN BY Ruru	DATE 2024-06-18
DWG NO. M12A-XXPFFC-SF8BXX	CHECKED BY Rita	DATE 2024-06-18
CUSTOMER ALTW	APPROVED BY Fred	DATE 2024-06-18

THIS DOCUMENT IS SUBJECT TO CHANGE WITHOUT NOTICE. IT IS CONFIDENTIAL AND A PROPERTY OF Amphenol LTW. DISCLOSURE TO THIRD PARTY HAS TO BE AUTHORIZED BY Amphenol LTW.

E F	17P	26	M12A-17PFFC-SF8BXX
	5P	22	M12A-05PFFC-SF8BXX
	4P		M12A-04PFFC-SF8BXX
	3P		M12A-03PFFC-SF8BXX
Contacts	AWG	Item No.	



M12A-XXPFFC-SF8BXX

XX: No. Of Pin



15: 150mm
 20: 200mm
 ↓
 95: 950mm
 Cable Pitch Unit=50mm

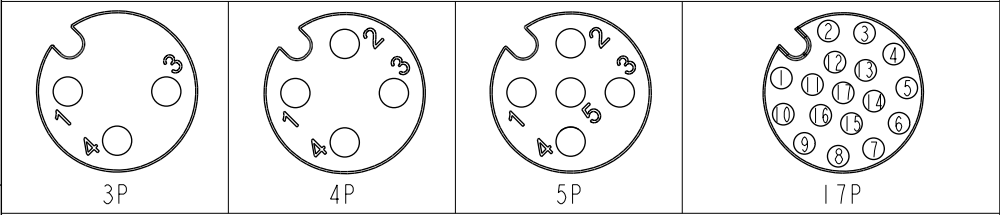
 A0: 1000mm
 ↓
 A5: 1500mm
 Cable Pitch Unit=100mm
 Wire Length (L): 150~1500 mm



5	--	5	--	5	Gray	灰	17	White/Gray	白/灰
4	Black	4	Black	4	Black	黑	16	Yellow/Brown	黃/棕
3	Blue	3	Blue	3	Blue	藍	15	White/Yellow	白/黃
2	--	2	White	2	White	白	14	Brown/Green	棕/綠
1	Brown	1	Brown	1	Brown	棕	13	White/Green	白/綠
							12	Red/Blue	紅/藍
							11	Gray/Pink	灰/粉
							10	Violet	紫
							9	Red	紅
							8	Gray	灰
							7	Black	黑
							6	Yellow	黃
							5	Pink	粉
							4	Green	綠
							3	White	白
							2	Blue	藍
							1	Brown	棕

Pin # Wire Pin # Wire Pin # Wire Pin # Wire

Pin Out



Pin Assignments Front View

A	UNIT: mm		TITLE N SEN, M12 A, SCREW RECEPTACLE, F, F, FI/PANEL CRIMP	
	TOLERANCE .X ±0.25 .XX ±0.1 .XXX ±0.05 ANGLES ±1°	SCALE 3:2	SIZE A4	SHEET 2 OF 2
	REV. J	WC-REV. A.3	QC: Inspection item	
	Amphenol LTW 安費諾亮泰企業股份有限公司			

ITEM NO	DRAWN BY Ruru	DATE 2024-06-18
DWG NO M12A-XXPFFC-SF8BXX	CHECKED BY Rita	DATE 2024-06-18
CUSTOMER ALTW	APPROVED BY Fred	DATE 2024-06-18