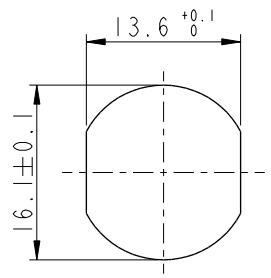
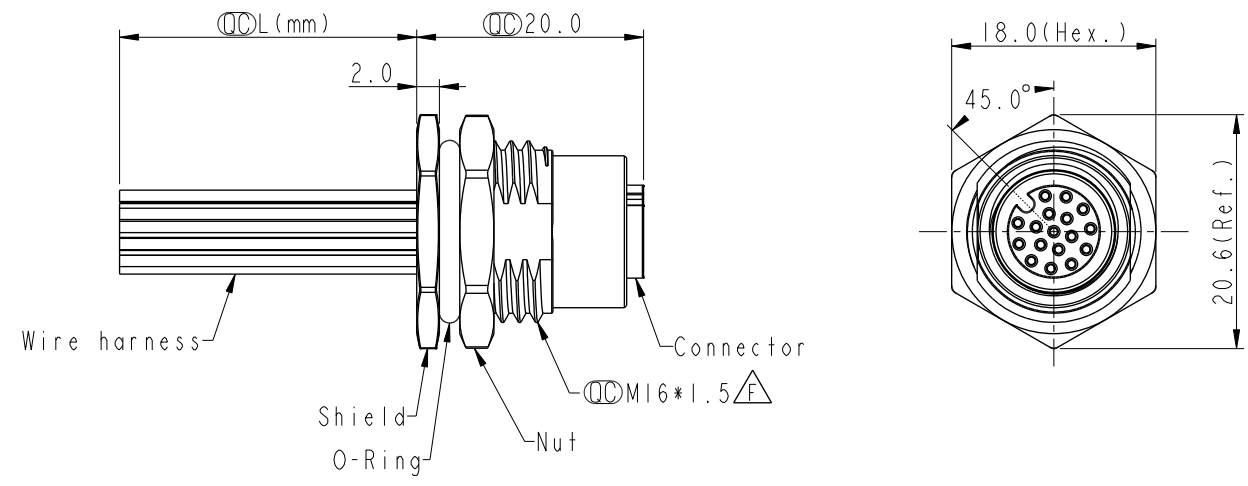
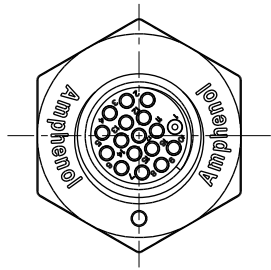


THIS DOCUMENT IS SUBJECT TO CHANGE WITHOUT NOTICE. IT IS CONFIDENTIAL AND A PROPERTY OF Amphenol LTW. DISCLOSURE TO THIRD PARTY HAS TO BE AUTHORIZED BY Amphenol LTW.

REV.	ECN NO.	DATE	SIGN	DESCRIPTION
H	C221878	2022/12/19	Ruru	△H X1
I	C231031	2023/08/04	Ruru	△I X1
J	C240700	2024/06/19	Ruru	△J X2



Recommended Panel Cut-Out

- Note: △C △D △F △G
- * RoHS Compliant
 - * ∅ Important dimension
 - △* Waterproof rate: IP68, unmated 1m/24h
△I IP69K, mated
 - * Connector
Housing: Thermoplastic, Black
Pin: Copper alloy, Gold plated
O-Ring: Rubber, Green
 - * Shield: Metal
 - * Nut: Metal
 - * O-Ring: Rubber, Black
 - * Wire harness: UL1061
 - * For panel thickness max: 4.5mm
 - * O-Ring and nut are assembled on connectors
 - △* Wire harness tolerance: 150mm < L ≤ 300mm: ±15mm
300mm < L ≤ 1000mm: ±20mm
1000mm < L ≤ 1500mm: +50/-0mm

UNIT: mm		
TOLERANCE		
.X	±0.25	
.XX	±0.1	
.XXX	±0.05	
ANGLES	±1°	

TITLE N SEN, M12 A, SCREW RECEPTACLE, F, F, FI/PANEL CRIMP △G			
SCALE 3:2	SIZE A4	SHEET 1 OF 2	
REV. J	WC-REV. A.3	∅: Inspection item	

Amphenol LTW
安費諾亮泰企業股份有限公司

ITEM NO.	DRAWN BY Ruru	DATE 2024-06-19
DWG NO. △E M12A-XXPFFC-SF8CXX	CHECKED BY Rita	DATE 2024-06-19
CUSTOMER ALTW	APPROVED BY Fred	DATE 2024-06-19

THIS DOCUMENT IS SUBJECT TO CHANGE WITHOUT NOTICE. IT IS CONFIDENTIAL AND A PROPERTY OF Amphenol LTW. DISCLOSURE TO THIRD PARTY HAS TO BE AUTHORIZED BY Amphenol LTW.

 	17P	26	M12A-17PFFC-SF8CXX
	5P	22	M12A-05PFFC-SF8CXX
	4P		M12A-04PFFC-SF8CXX
	3P		M12A-03PFFC-SF8CXX
Contacts	AWG	Item No.	

M12A-XXPFFC-SF8CXX

XX: No. Of Pin

15:150mm
 20:200mm
 }
 95:950mm
 Cable Pitch Unit=50mm

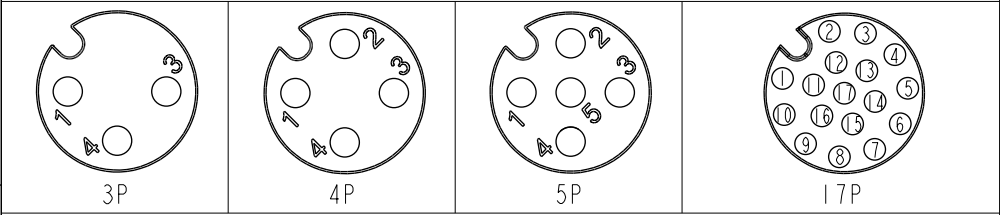
A0:1000mm
 }
 A5:1500mm
 Cable Pitch Unit=100mm
 Wire Length (L):150~1500 mm

17	White/Gray	白/灰
16	Yellow/Brown	黃/棕
15	White/Yellow	白/黃
14	Brown/Green	棕/綠
13	White/Green	白/綠
12	Red/Blue	紅/藍
11	Gray/Pink	灰/粉
10	Violet	紫
9	Red	紅
8	Gray	灰
7	Black	黑
6	Yellow	黃
5	Pink	粉
4	Green	綠
3	White	白
2	Blue	藍
1	Brown	棕

5	--	黑	5	--	黑	5	Gray	灰
4	Black	黑	4	Black	黑	4	Black	黑
3	Blue	藍	3	Blue	藍	3	Blue	藍
2	--		2	White	白	2	White	白
1	Brown	棕	1	Brown	棕	1	Brown	棕

Pin # Wire Pin # Wire Pin # Wire Pin # Wire

Pin Out



Pin Assignments Front View

UNIT:mm			TITLE N SEN, M12 A, SCREW RECEPTACLE, F, F, FI/PANEL CRIMP
TOLERANCE .X ±0.25 .XX ±0.1 .XXX ±0.05 ANGLES ±1°	SCALE 3:2	SIZE A4	SHEET 2 OF 2
	REV. J	WC-REV. A.3	QC: Inspection item

Amphenol LTW
 安費諾亮泰企業股份有限公司

ITEM NO	DRAWN BY	DATE
	Ruru	2024-06-19
DWG NO M12A-XXPFFC-SF8CXX	CHECKED BY	DATE
CUSTOMER	Rita	2024-06-19
	APPROVED BY	DATE
ALTW	Fred	2024-06-19