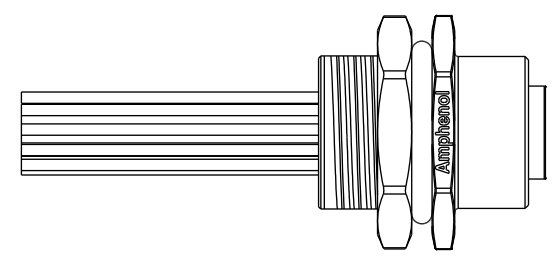
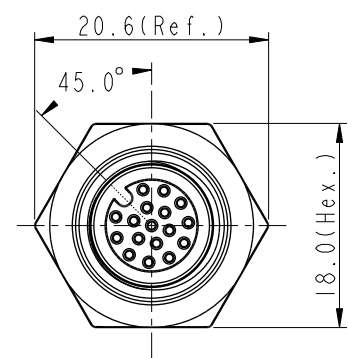
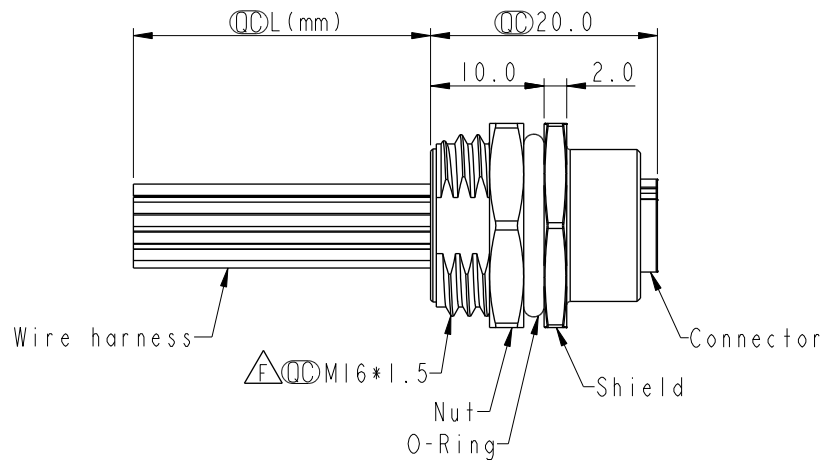
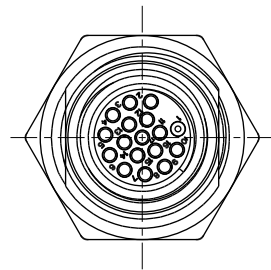
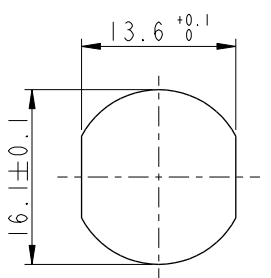


THIS DOCUMENT IS SUBJECT TO CHANGE WITHOUT NOTICE. IT IS CONFIDENTIAL AND A PROPERTY OF Amphenol LTW. DISCLOSURE TO THIRD PARTY HAS TO BE AUTHORIZED BY Amphenol LTW.

REV.	ECN NO.	DATE	SIGN	DESCRIPTION
H	C221878	2022/12/19	Ruru	$\triangle_H$ X1
I	C231031	2023/08/04	Ruru	$\triangle_I$ X1
J	C240700	2024/06/19	Ruru	$\triangle_J$ X2



- Note:  $\triangle_C \triangle_D \triangle_E \triangle_F \triangle_G$
- \* RoHS Compliant
  - \*  $\odot$  Important dimension
  - $\triangle_H$  \* Waterproof rate: IP68, unmated 1m/24h  
 $\triangle_I$  IP69K, mated
  - \* Connector  
 Housing: Thermoplastic, Black  
 Pin: Copper alloy, Gold plated  
 O-Ring: Rubber, Green
  - \* Shield: Metal
  - \* Nut: Metal
  - \* O-Ring: Rubber, Black
  - \* Wire harness: UL1061
  - \* For panel thickness max: 4.5mm
  - \* O-Ring and nut are assembled on connectors
  - $\triangle_J$  \* Wire harness tolerance: 150mm < L ≤ 300mm: ±15mm  
 300mm < L ≤ 1000mm: ±20mm  
 1000mm < L ≤ 1500mm: +50/-0mm



Recommended Panel Cut-Out


UNIT: mm		
TOLERANCE		
.X	±0.25	
.XX	±0.1	
.XXX	±0.05	
ANGLES	±1°	

TITLE N SEN, M12 A, SCREW RECEPTACLE, F, F, FI/PANEL CRIMP $\triangle_G$		
SCALE 3:2	SIZE A4	SHEET 1 OF 2
REV. J	WC-REV. A.3	$\odot$ : Inspection item

**Amphenol LTW**  
 安費諾亮泰企業股份有限公司

ITEM NO.	DRAWN BY	DATE
	Ruru	2024-06-19
DWG NO.	CHECKED BY	DATE
$\triangle_E$ M12A-XXPFFC-SH8CXX	Rita	2019-09-19
CUSTOMER	APPROVED BY	DATE
ALTW	Fred	2024-06-19

THIS DOCUMENT IS SUBJECT TO CHANGE WITHOUT NOTICE. IT IS CONFIDENTIAL AND A PROPERTY OF Amphenol LTW. DISCLOSURE TO THIRD PARTY HAS TO BE AUTHORIZED BY Amphenol LTW.

	17P	26	M12A-17PFFC-SH8CXX
	5P	22	M12A-05PFFC-SH8CXX
	4P		M12A-04PFFC-SH8CXX
	3P		M12A-03PFFC-SH8CXX
Contacts	AWG	Item No.	

  
 M12A-XXPFFC-SH8CXX

XX: No. Of Pin

  
 15:150mm  
 20:200mm  
 }  
 95:950mm  
 Cable Pitch Unit=50mm

A0:1000mm  
 }  
 A5:1500mm  
 Cable Pitch Unit=100mm  
 Wire Length (L):150~1500 mm

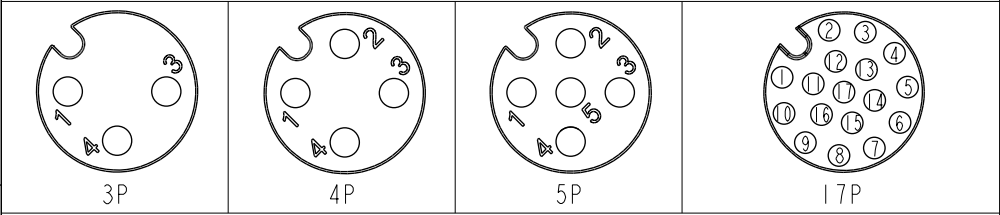


			17	White/Gray	白/灰
			16	Yellow/Brown	黃/棕
			15	White/Yellow	白/黃
			14	Brown/Green	棕/綠
			13	White/Green	白/綠
			12	Red/Blue	紅/藍
			11	Gray/Pink	灰/粉
			10	Violet	紫
			9	Red	紅
			8	Gray	灰
			7	Black	黑
			6	Yellow	黃
			5	Pink	粉
			4	Green	綠
			3	White	白
			2	Blue	藍
			1	Brown	棕

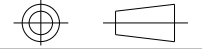
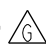
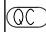
5	--	黑	5	--	黑	5	Gray	灰
4	Black	黑	4	Black	黑	4	Black	黑
3	Blue	藍	3	Blue	藍	3	Blue	藍
2	--		2	White	白	2	White	白
1	Brown	棕	1	Brown	棕	1	Brown	棕

Pin # Wire Pin # Wire Pin # Wire Pin # Wire


Pin Out



Pin Assignments Front View

UNIT:mm		TITLE N SEN, M12 A, SCREW RECEPTACLE, F, F, FI/PANEL CRIMP 	
TOLERANCE .X ±0.25 .XX ±0.1 .XXX ±0.05 ANGLES ±1°	SCALE 3:2	SIZE A4	SHEET 2 OF 2
	REV. J	WC-REV. A.3	 : Inspection item

**Amphenol LTW**  
 安費諾亮泰企業股份有限公司

ITEM NO	DRAWN BY	DATE
	Ruru	2024-06-19
DWG NO	CHECKED BY	DATE
 M12A-XXPFFC-SH8CXX	Rita	2024-06-19
CUSTOMER	APPROVED BY	DATE
ALTW	Fred	2024-06-19