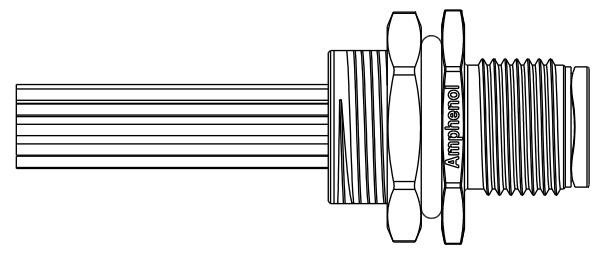
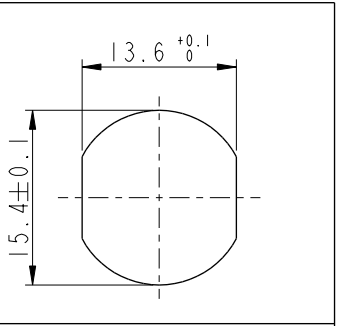
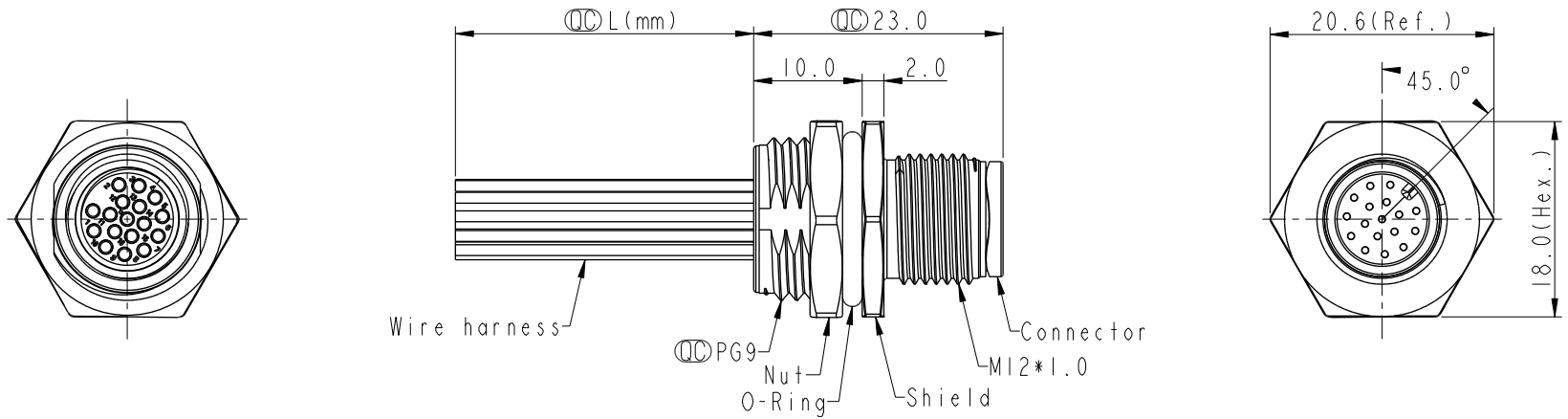


THIS DOCUMENT IS SUBJECT TO CHANGE WITHOUT NOTICE. IT IS CONFIDENTIAL AND A PROPERTY OF Amphenol LTW. DISCLOSURE TO THIRD PARTY HAS TO BE AUTHORIZED BY Amphenol LTW.

REV.	ECN NO.	DATE	SIGN	DESCRIPTION
I	C221878	2022/12/19	Ruru	△ XI
J	C231031	2023/08/04	Ruru	△ J XI
K	C240700	2024/06/20	Ruru	△ K X2



- Note: △ C △ D △ F △ G △ H
- * RoHS Compliant
 - * △ Important dimension
 - * △ Waterproof rate: IP68, unmated 1m/24h
△ IP69K, mated
 - * Connector
 - Housing: Thermoplastic, Black
 - Pin: Copper alloy, Gold plated
 - * Shield: Metal
 - * Nut: Metal
 - * O-Ring: Rubber, Black
 - * Wire harness: UL1061
 - * For panel thickness max: 4.5mm
 - * O-Ring and nut are assembled on connectors
 - * △ Wire harness tolerance: 150mm < L ≤ 300mm: ±15mm
300mm < L ≤ 1000mm: ±20mm
1000mm < L ≤ 1500mm: +50/-0mm

Recommended Panel Cut-Out

UNIT: mm	
TOLERANCE	
.X	±0.25
.XX	±0.1
.XXX	±0.05
ANGLES	±1°

TITLE N SEN, M12 A, SCREW RECEPTACLE, M, M, FI/PANEL CRIMP △ F △ H			
SCALE 1:1	SIZE A4	SHEET 1 OF 2	
REV. K	WC-REV. A.5	◎: Inspection item	

Amphenol LTW
安費諾亮泰企業股份有限公司

ITEM NO	DRAWN BY Ruru	DATE 2019-09-19
DWG NO △ M12A-XXPMMC-SH8BXX	CHECKED BY Rita	DATE 2019-09-19
CUSTOMER ALTW	APPROVED BY Max	DATE 2019-09-19

THIS DOCUMENT IS SUBJECT TO CHANGE WITHOUT NOTICE. IT IS CONFIDENTIAL AND A PROPERTY OF Amphenol LTW. DISCLOSURE TO THIRD PARTY HAS TO BE AUTHORIZED BY Amphenol LTW.

E	17P	26	M12A-17PMMC-SH8BXX
	5P	22	M12A-05PMMC-SH8BXX
	4P		M12A-04PMMC-SH8BXX
	3P		M12A-03PMMC-SH8BXX
Contacts	AWG	Item No.	

△D△F△H
M12A-XXPMMC-SH8BXX

XX: No. Of Pin

△K
15: 150mm
20: 200mm
↓
95: 950mm
Cable Pitch Unit=50mm

A0: 1000mm
↓
A5: 1500mm
Cable Pitch Unit=100mm
Wire Length (L): 150~1500 mm

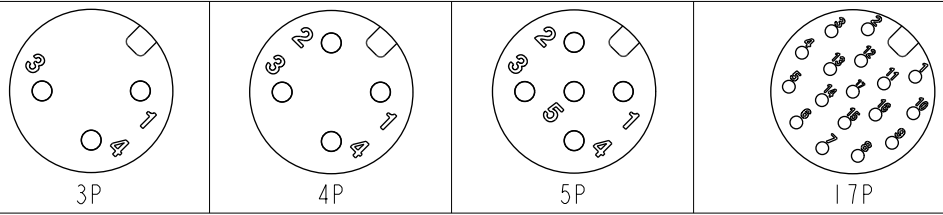
△E

17	White/Gray	白/灰
16	Yellow/Brown	黃/棕
15	White/Yellow	白/黃
14	Brown/Green	棕/綠
13	White/Green	白/綠
12	Red/Blue	紅/藍
11	Gray/Pink	灰/粉
10	Violet	紫
9	Red	紅
8	Gray	灰
7	Black	黑
6	Yellow	黃
5	Pink	粉
4	Green	綠
3	White	白
2	Blue	藍
1	Brown	棕

5	--		5	--		5	Gray	灰
4	Black	黑	4	Black	黑	4	Black	黑
3	Blue	藍	3	Blue	藍	3	Blue	藍
2	--		2	White	白	2	White	白
1	Brown	棕	1	Brown	棕	1	Brown	棕

Pin # Wire Pin # Wire Pin # Wire Pin # Wire

Pin Out



Pin Assignments Front View

UNIT: mm			TITLE N SEN, M12 A, SCREW RECEPTACLE, M, M, FI/PANEL CRIMP	△E △H
TOLERANCE .X ±0.25 .XX ±0.1 .XXX ±0.05 ANGLES ±1°	SCALE 1:1	SIZE A4	SHEET 2 OF 2	REV. K
	WC-REV. A.5	QC: Inspection item		

Amphenol LTW
安費諾亮泰企業股份有限公司

ITEM NO	DRAWN BY Ruru	DATE 2024-06-20
DWG NO △E M12A-XXPMMC-SH8BXX	CHECKED BY Rita	DATE 2024-06-20
CUSTOMER ALTW	APPROVED BY Fred	DATE 2024-06-20