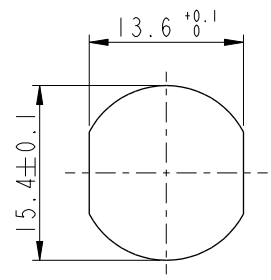


THIS DOCUMENT IS SUBJECT TO CHANGE WITHOUT NOTICE. IT IS CONFIDENTIAL AND A PROPERTY OF Amphenol LTW. DISCLOSURE TO THIRD PARTY HAS TO BE AUTHORIZED BY Amphenol LTW.

REV.	ECN NO.	DATE	SIGN	DESCRIPTION
F	C210309	2021/02/25	Ruru	X2
G	C221973	2022/12/22	Ruru	X1
H	C231034	2023/08/08	Ruru	X1



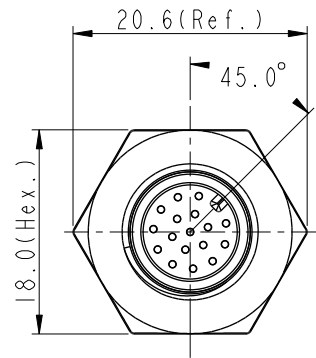
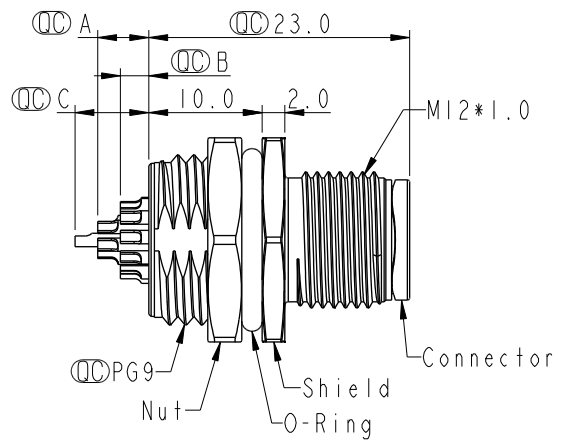
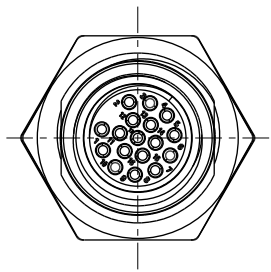
B

D

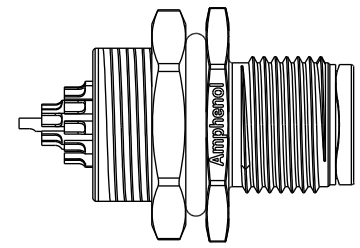
M12A-XXPMMS-SH8001

XX: No. Of Pin

Recommended Panel Cut-Out

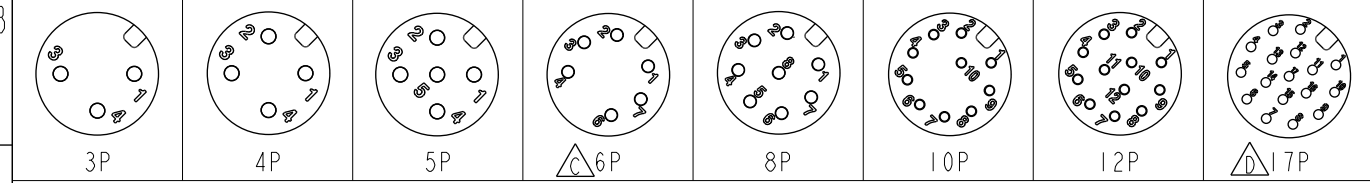


M12A-03PMMS-SH8001		2.5	
M12A-04PMMS-SH8001		2.5	
M12A-05PMMS-SH8001		2.5	
M12A-06PMMS-SH8001		2.5	C
M12A-08PMMS-SH8001		2.5	
M12A-10PMMS-SH8001	4.5	2.5	
M12A-12PMMS-SH8001	4.5	2.5	
M12A-17PMMS-SH8001	4.5	2.5	6.5 D
Item No.	A	B	C
	Pin伸出長度		



D **F** Note:

- * RoHS Compliant
- * **D** Important dimension
- * **G** **C** Waterproof rate: IP68, unmated 1m/24h
- * **A** IP69K, mated
- * Connector
- Housing: Thermoplastic, Black
- Pin: Copper alloy, Gold plated
- Shield: Metal
- * Nut: Metal
- * O-Ring: Rubber, Black
- * For panel thickness max: 4.5mm
- * Nut is packed separately in pe bag



Pin Assignment Front View

UNIT: mm		TITLE	N SEN, M12 A, SCREW RECEPTACLE, M, M, SOLDER F	
TOLERANCE	.X ±0.25	SCALE	1:1	SIZE A4
.XX ±0.1	.XXX ±0.05	REV.	H	WC-REV. A.5
ANGLES ±1°				D Inspection item

Amphenol LTW

安費諾亮泰企業股份有限公司

ITEM NO.	DRAWN BY	DATE
	Yulong_Wang	2016-08-06
DWG NO.	CHECKED BY	DATE
D M12A-XXPMMS-SH8001	Jinhai	2016-08-06
CUSTOMER	APPROVED BY	DATE
ALTW	Jerry	2016-08-06