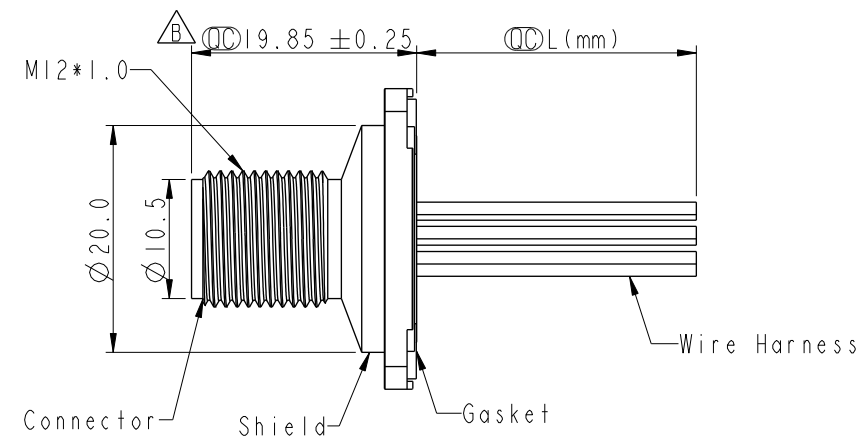
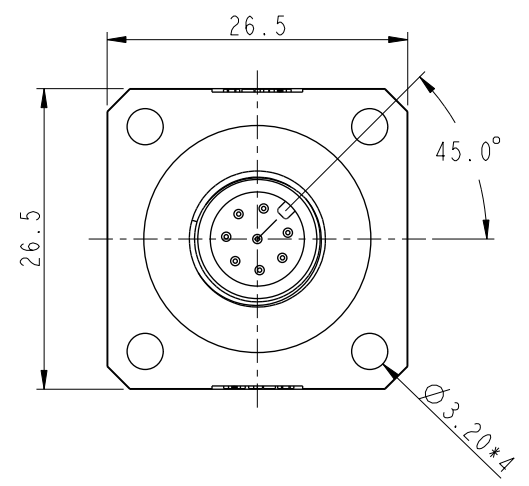
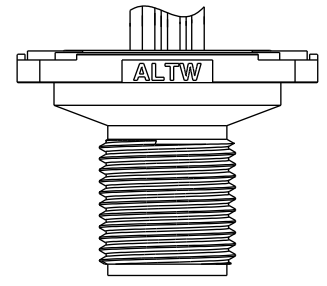


THIS DOCUMENT IS SUBJECT TO CHANGE WITHOUT NOTICE. IT IS CONFIDENTIAL AND A PROPERTY OF Amphenol LTW. DISCLOSURE TO THIRD PARTY HAS TO BE AUTHORIZED BY Amphenol LTW.

REV.	ECN NO.	DATE	SIGN	DESCRIPTION
C	C221879	2022-12-19	Ruru	$\triangle C$ X3
D	C231033	2023-08-08	Ruru	$\triangle D$ X1
E	C240701	2024-06-21	Ruru	$\triangle E$ X1



- Note:
- * RoHS Compliant
 - * CC Important dimension
 - $\triangle C$ * Waterproof rate: IP68, unmated 1m/24h
 $\triangle D$ IP69K, mated
 - * Connector
 Housing: Thermoplastic, Black
 Pin: Copper alloy, Gold plated
 - * Shield: Metal
 - * Gasket: Rubber, Dark Gray
 - * Wire: UL1061
 - $\triangle E$ * Wire harness tolerance: 150mm < L ≤ 300mm: ±15mm
 300mm < L ≤ 1000mm: ±20mm
 1000mm < L ≤ 1500mm: +50/-0mm

UNIT: mm			TITLE N SEN, M12 A, SCREW RECEPTACLE, M, M, SOLDER $\triangle C$		
TOLERANCE .X ±0.25 .XX ±0.1 .XXX ±0.05 ANGLES ±1°	SCALE 2:1	SIZE A4	SHEET 1 OF 2		
REV. E	WC-REV. A.7	CC : Inspection item			

Amphenol LTW
 安費諾亮泰企業股份有限公司

ITEM NO	DRAWN BY Ruru	DATE 2024-06-21
DWG NO M12A-XXPMMS-SS8EXX	CHECKED BY Rita	DATE 2024-06-21
CUSTOMER ALTW	APPROVED BY Fred	DATE 2024-06-21

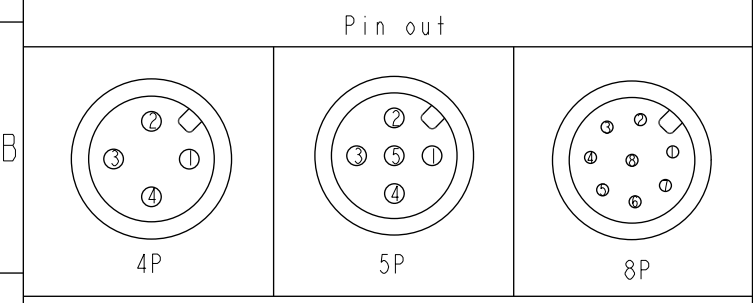
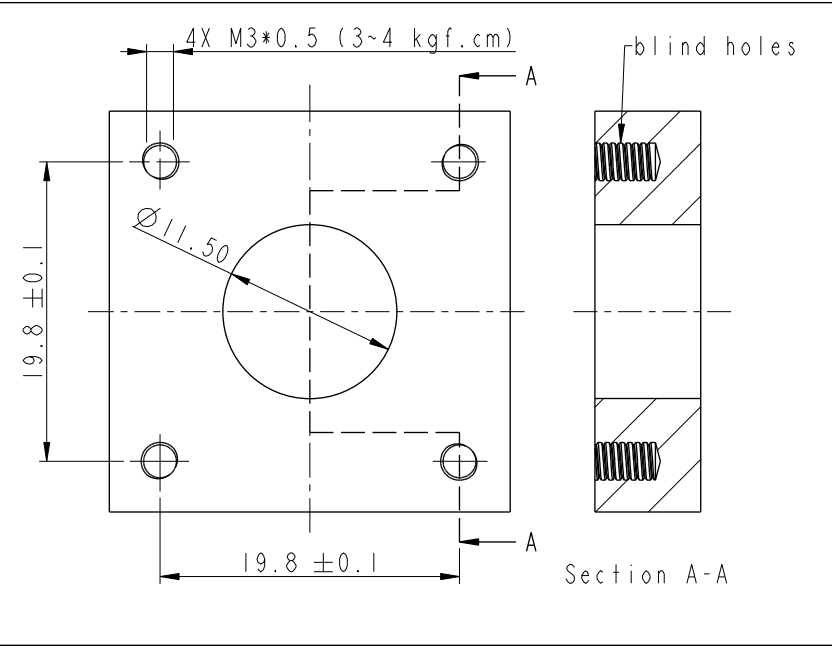
THIS DOCUMENT IS SUBJECT TO CHANGE WITHOUT NOTICE. IT IS CONFIDENTIAL AND A PROPERTY OF Amphenol LTW. DISCLOSURE TO THIRD PARTY HAS TO BE AUTHORIZED BY Amphenol LTW.

8P	24	MI2A-08PMMS-SS8EXX
5P	22	MI2A-05PMMS-SS8EXX
4P		MI2A-04PMMS-SS8EXX
Contacts	AWG	Item No.

MI2A-XXPMMS-SS8EXX
 XX: No. Of Pin

15: 150mm
 20: 200mm
 :
 95: 950mm
 Cable Pitch Unit=50mm
 A0: 1000mm
 :
 A5: 1500mm
 Cable Pitch Unit=100mm
 Wire Length (L): 150~1500 mm

4	Black	黑	5	Gray	灰	8	Red	紅
3	Blue	藍	4	Black	黑	7	Blue	藍
2	White	白	3	Blue	藍	6	Pink	粉
1	Brown	棕	2	White	白	5	Gray	灰
			1	Brown	棕	4	Yellow	黃
						3	Green	綠
						2	Brown	棕
						1	White	白
Pin #	Wire		Pin #	Wire		Pin #	Wire	



Pin Assignment Front View

Recommended Panel Cut-Out

UNIT: mm		TITLE		ITEM NO		DRAWN BY		DATE		
		N SEN, MI2 A, SCREW RECEPTACLE, M, M, SOLDER		MI2A-XXPMMS-SS8EXX		Ruru		2024-06-21		
		SCALE	SIZE	SHEET	CUSTOMER	CHECKED BY	DATE			
		2:1	A4	2 OF 2	ALTW	Rita	2024-06-21			
TOLERANCE		REV.	WC-REV.	APPROVED BY	DATE					
.X ±0.25		E	A.7	Fred	2024-06-21					
.XX ±0.1		◎: Inspection item								
.XXX ±0.05										
ANGLES ±1°										

Amphenol LTW
 安費諾亮泰企業股份有限公司