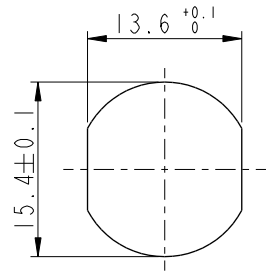


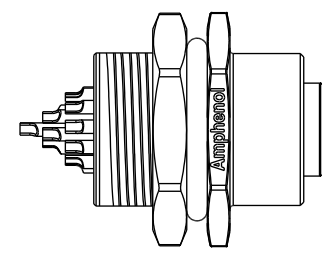
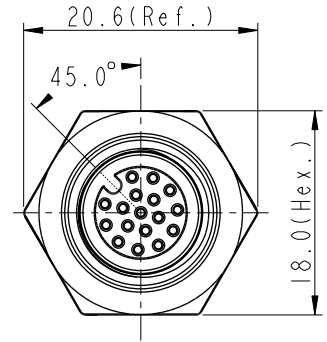
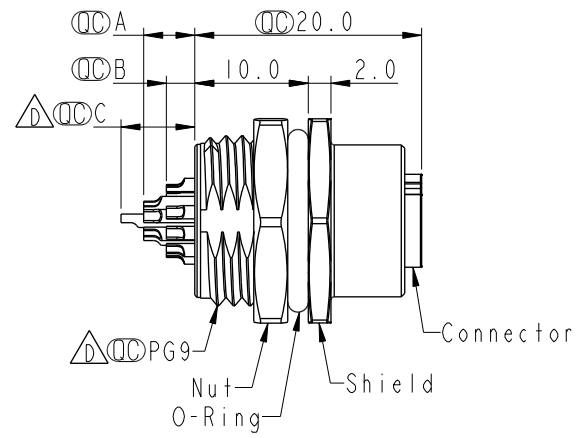
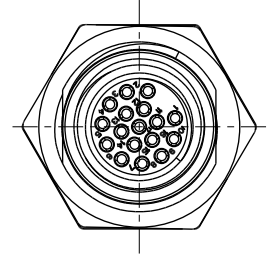
THIS DOCUMENT IS SUBJECT TO CHANGE WITHOUT NOTICE. IT IS CONFIDENTIAL AND A PROPERTY OF Amphenol LTW. DISCLOSURE TO THIRD PARTY HAS TO BE AUTHORIZED BY Amphenol LTW.

REV.	ECN NO.	DATE	SIGN	DESCRIPTION
E	C210309	2021/02/24	Ruru	X2
F	C221973	2022/12/21	Ruru	X1
G	C231034	2023/08/08	Ruru	X1



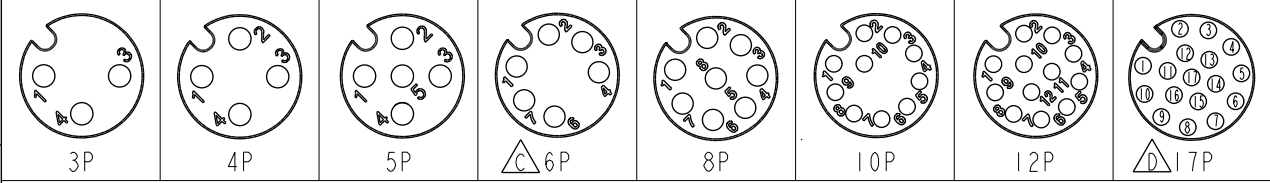
M12A-XXPFFS-SH8001
XX: No. Of Pin

Recommended Panel Cut-Out



M12A-03PFFS-SH8001		2.5	
M12A-04PFFS-SH8001		2.5	
M12A-05PFFS-SH8001		2.5	
M12A-06PFFS-SH8001		2.5	
M12A-08PFFS-SH8001		2.5	
M12A-10PFFS-SH8001	4.5	2.5	
M12A-12PFFS-SH8001	4.5	2.5	
M12A-17PFFS-SH8001	4.5	2.5	6.5
Item No.	A	B	C
	Pin 伸出長度		

- Note:
- * RoHS Compliant
 - * ⌀ Important dimension
 - * Waterproof rate: IP68, unmated 1m/24h
IP69K, mated
 - * Connector
Housing: Thermoplastic, Black
Pin: Copper alloy, Gold plated
O-Ring: Rubber, Green
 - * Shield: Metal
 - * Nut: Metal
 - * O-Ring: Rubber, Black
 - * For panel thickness max: 4.5mm
 - * Nut is packed separately in pe bag



Pin Assignment Front View

UNIT: mm			TITLE N SEN, M12 A, SCREW RECEPTACLE, F, F, SOLDER
TOLERANCE .X ±0.25 .XX ±0.1 .XXX ±0.05 ANGLES ±1°	SCALE 3:2	SIZE A4	SHEET 1 OF 1
	REV. G	WC-REV. A.5	⌀ : Inspection item

Amphenol LTW
安費諾亮泰企業股份有限公司

ITEM NO.	DRAWN BY Yulong_wang	DATE 2016-08-05
DWG NO. M12A-XXPFFS-SH8001	CHECKED BY Jinhai	DATE 2016-08-05
CUSTOMER ALTW	APPROVED BY Jerry	DATE 2016-08-05