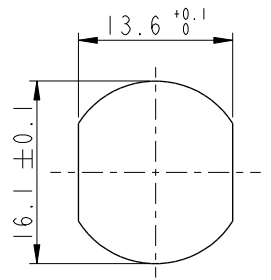


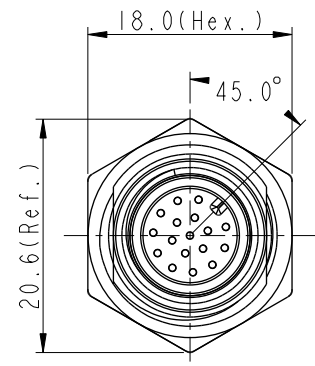
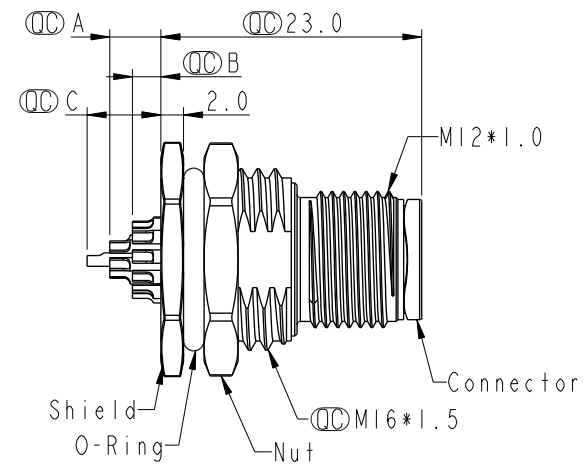
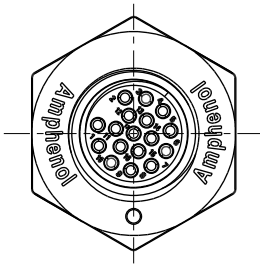
THIS DOCUMENT IS SUBJECT TO CHANGE WITHOUT NOTICE. IT IS CONFIDENTIAL AND A PROPERTY OF Amphenol LTW. DISCLOSURE TO THIRD PARTY HAS TO BE AUTHORIZED BY Amphenol LTW.

REV.	ECN NO.	DATE	SIGN	DESCRIPTION
F	C210309	2021/02/25	Ruru	X2
G	C221973	2022/12/22	Ruru	X1
H	C231034	2023/08/08	Ruru	X1



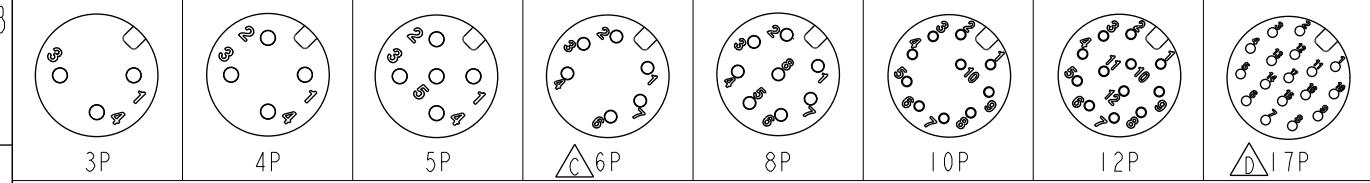
Recommended Panel Cut-Out

△B
 △D
 M12A-XXPMMS-SF8002
 XX: No. Of Pin



M12A-03PMMS-SF8002		2.5	
M12A-04PMMS-SF8002		2.5	
M12A-05PMMS-SF8002		2.5	
M12A-06PMMS-SF8002		2.5	△C
M12A-08PMMS-SF8002		2.5	
M12A-10PMMS-SF8002	4.5	2.5	
M12A-12PMMS-SF8002	4.5	2.5	
M12A-17PMMS-SF8002	4.5	2.5	6.5 △D
Item No.	A	B	C
	Pin伸出長度		

△D △E Note:
 * RoHS Compliant
 * (CC) Important dimension
 △G △C * Waterproof rate: IP68, unmated 1m/24h
 △H IP69K, mated
 * Connector
 Housing: Thermoplastic, Black
 Pin: Copper alloy, Gold plated
 △E * Shield: Metal
 △E * Nut: Metal
 * O-Ring: Rubber, Black
 * For panel thickness max: 4.5mm
 * Nut is packed separately in pe bag



Pin Assignment Front View

UNIT: mm		TITLE N SEN, M12 A, SCREW RECEPTACLE, M, M, SOLDER △F
TOLERANCE .X ±0.25 .XX ±0.1 .XXX ±0.05 ANGLES ±1°	SCALE 1:1	SIZE A4
	REV. H	SHEET 1 OF 1
	WC-REV. .0	CC: Inspection item

Amphenol LTW
 安費諾亮泰企業股份有限公司

ITEM NO.	DRAWN BY Yulong_Wang	DATE 2016-08-08
DWG NO. △M12A-XXPMMS-SF8002	CHECKED BY Jinhai	DATE 2016-08-08
CUSTOMER ALTW	APPROVED BY Jerry	DATE 2016-08-08