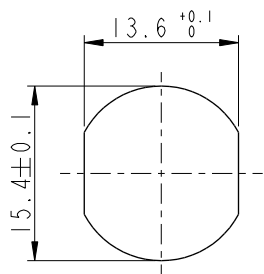
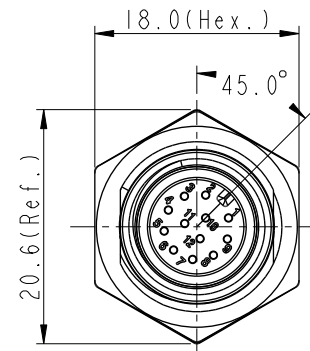
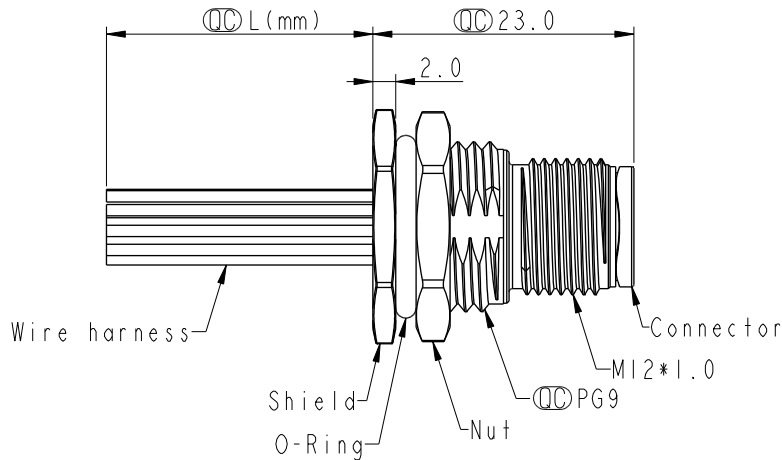
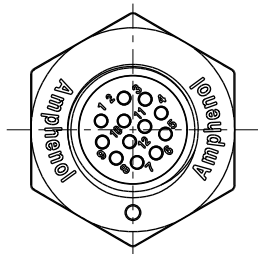


THIS DOCUMENT IS SUBJECT TO CHANGE WITHOUT NOTICE. IT IS CONFIDENTIAL AND A PROPERTY OF Amphenol LTW. DISCLOSURE TO THIRD PARTY HAS TO BE AUTHORIZED BY Amphenol LTW.

REV.	ECN NO.	DATE	SIGN	DESCRIPTION
I	C221879	2022/12/19	Ruru	△ XI
J	C231033	2023/08/07	Ruru	△ J XI
K	C240700	2024/06/19	Ruru	△ K X2



Recommended Panel Cut-Out

- Note: △ C D F G H
- * RoHS Compliant
 - * Ⓞ Important dimension
 - △ * Waterproof rate: IP68, unmated 1m/24h
△ IP69K, mated
 - * Connector
Housing: Thermoplastic, Black
Pin: Copper alloy, Gold plated
 - * Shield: Metal
 - * Nut: Metal
 - * O-Ring: Rubber, Black
 - * Wire harness: UL1061
 - * For panel thickness max: 4.5mm
 - * O-Ring and nut are assembled on connectors
 - △ * Wire harness tolerance: 150mm < L ≤ 300mm: ±15mm
300mm < L ≤ 1000mm: ±20mm
1000mm < L ≤ 1500mm: +50/-0mm

UNIT: mm		
TOLERANCE		
.X	±0.25	
.XX	±0.1	
.XXX	±0.05	
ANGLES	±1°	

TITLE N SEN, M12 A, SCREW RECEPTACLE, M, M, SOLDER △ H		
SCALE 1:1	SIZE A4	SHEET 1 OF 2
REV. K	WC-REV. A.5	Ⓞ: Inspection item

Amphenol LTW
安費諾亮泰企業股份有限公司

ITEM NO. DWG NO. △ E M12A-XXPMMS-SF8BXX CUSTOMER	DRAWN BY Ruru	DATE 2024-06-19
	CHECKED BY Rita	DATE 2024-06-19
ALTW	APPROVED BY Fred	DATE 2024-06-19

THIS DOCUMENT IS SUBJECT TO CHANGE WITHOUT NOTICE. IT IS CONFIDENTIAL AND A PROPERTY OF Amphenol LTW. DISCLOSURE TO THIRD PARTY HAS TO BE AUTHORIZED BY Amphenol LTW.

12P	26	M12A-12PMMS-SF8BXX
10P		M12A-10PMMS-SF8BXX
8P	24	M12A-08PMMS-SF8BXX
6P		M12A-06PMMS-SF8BXX
Contacts	AWG	Item No.

△D △F △H
M12A-XXPMMS-SF8BXX

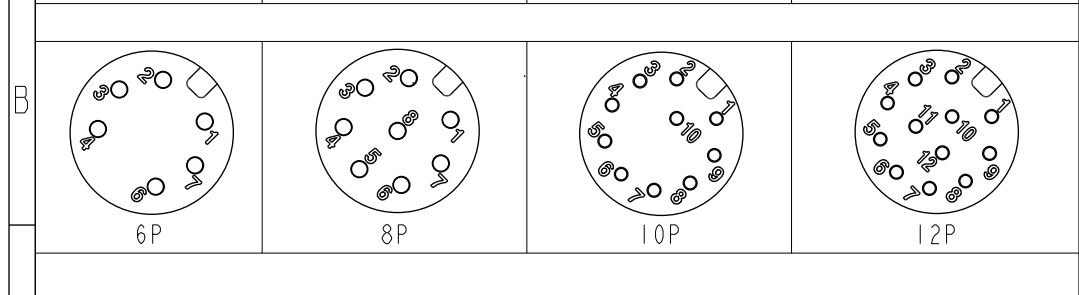
XX: No. Of Pin

△K
15: 150mm
20: 200mm
f
95: 950mm
Cable Pitch Unit=50mm

A0: 1000mm
f
A5: 1500mm
Cable Pitch Unit=100mm
Wire Length (L): 150~1500 mm

1		2		3		4		5		6		7		8	

8	--	8	Red	紅	12	--	12	Red/Blue	紅/藍
7	Blue	7	Blue	藍	11	--	11	Gray/Pink	灰/粉
6	Pink	6	Pink	粉	10	Violet	10	Violet	紫
5	-	5	Gray	灰	9	Black	9	Black	黑
4	Yellow	4	Yellow	黃	8	Red	8	Red	紅
3	Green	3	Green	綠	7	Blue	7	Blue	藍
2	Brown	2	Brown	棕	6	Pink	6	Pink	粉
1	White	1	White	白	5	Gray	5	Gray	灰
Pin #	Wire	Pin #	Wire		Pin #	Wire	Pin #	Wire	



UNIT: mm		TITLE N SEN, M12 A, SCREW RECEPTACLE, M, M, SOLDER
TOLERANCE .X ±0.25 .XX ±0.1 .XXX ±0.05 ANGLES ±1°	SCALE 1:1	SIZE A4
	REV. K	SHEET 2 OF 2
	WC-REV. A.5	QC: Inspection item

Amphenol LTW
安費諾亮泰企業股份有限公司

ITEM NO	DRAWN BY	DATE
DWG NO △E M12A-XXPMMS-SF8BXX	Ruru	2024-06-19
CUSTOMER	CHECKED BY	DATE
ALTW	Rita	2024-06-19
	APPROVED BY	DATE
	Fred	2024-06-19