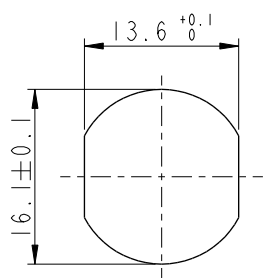


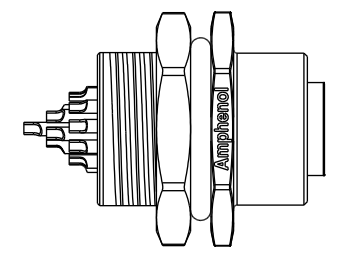
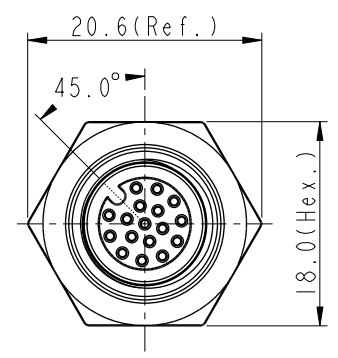
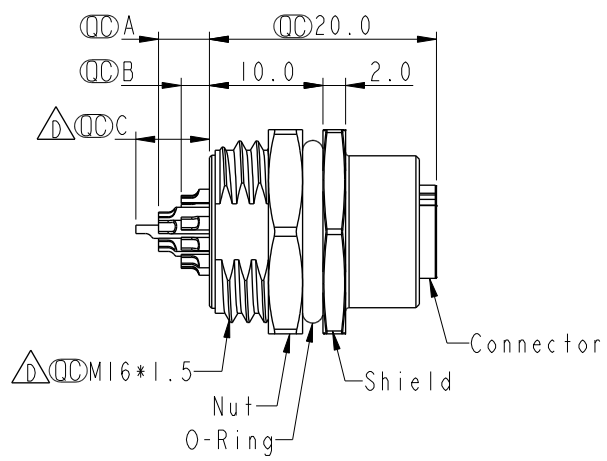
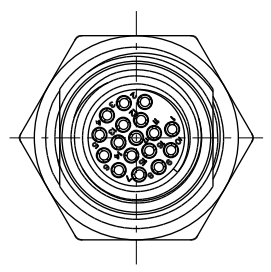
THIS DOCUMENT IS SUBJECT TO CHANGE WITHOUT NOTICE. IT IS CONFIDENTIAL AND A PROPERTY OF Amphenol LTW. DISCLOSURE TO THIRD PARTY HAS TO BE AUTHORIZED BY Amphenol LTW.

REV.	ECN NO.	DATE	SIGN	DESCRIPTION
E	C210309	2021/02/24	Ruru	X2
F	C221973	2022/12/21	Ruru	X1
G	C231034	2023/08/08	Ruru	X1



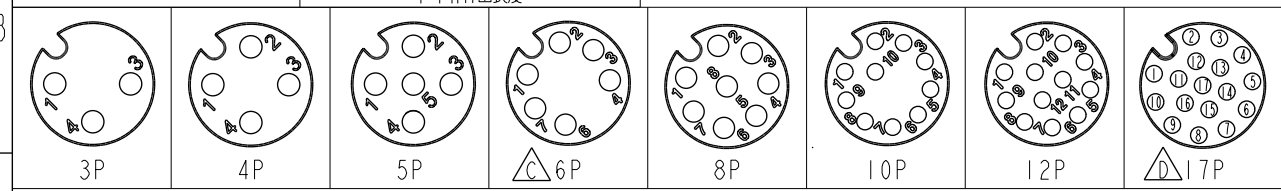
MI2A-XXPFFS-SH8002
XX: No. Of Pin

Recommended Panel Cut-Out



- Note:
- * RoHS Compliant
 - * (C) Important dimension
 - * (F)(C) Waterproof rate: IP68, unmated 1m/24h
IP69K, mated
 - * Connector
 - * Housing: Thermoplastic, Black
 - * Pin: Copper alloy, Gold plated
 - * O-Ring: Rubber, Green
 - * Shield: Metal
 - * Nut: Metal
 - * O-Ring: Rubber, Black
 - * For panel thickness max: 4.5mm
 - * Nut is packed separately in pe bag

Item No.	A	B	C
MI2A-03PFFS-SH8002		2.5	
MI2A-04PFFS-SH8002		2.5	
MI2A-05PFFS-SH8002		2.5	
MI2A-06PFFS-SH8002		2.5	
MI2A-08PFFS-SH8002		2.5	
MI2A-10PFFS-SH8002	4.5	2.5	
MI2A-12PFFS-SH8002	4.5	2.5	
MI2A-17PFFS-SH8002	4.5	2.5	6.5



Pin Assignment Front View

UNIT: mm			TITLE N SEN, MI2 A, SCREW RECEPTACLE, F, F, SOLDER
TOLERANCE	.X ±0.25	.XX ±0.1	SCALE 3:2
.XXX ±0.05	ANGLES ±1°	REV. G	SIZE A4
		WC-REV. A.5	SHEET 1 OF 1
		(C) Inspection item	

Amphenol LTW
安費諾亮泰企業股份有限公司

ITEM NO.	DRAWN BY	DATE
	Yulong_wang	2016-08-05
DWG NO.	CHECKED BY	DATE
MI2A-XXPFFS-SH8002	Jinhai	2016-08-05
CUSTOMER	APPROVED BY	DATE
ALTW	Jerry	2016-08-05