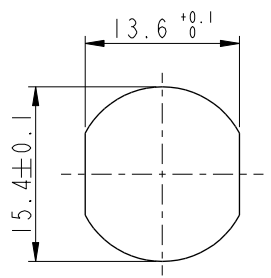
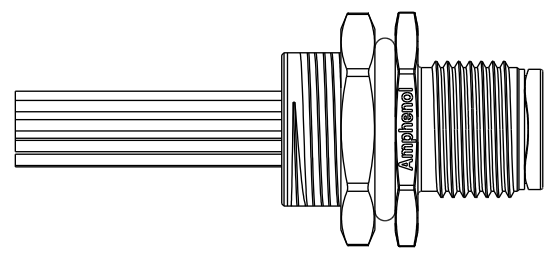
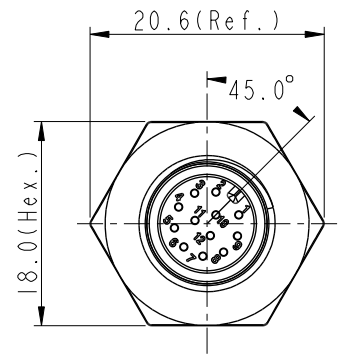
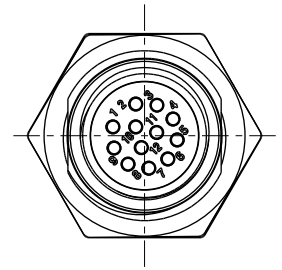
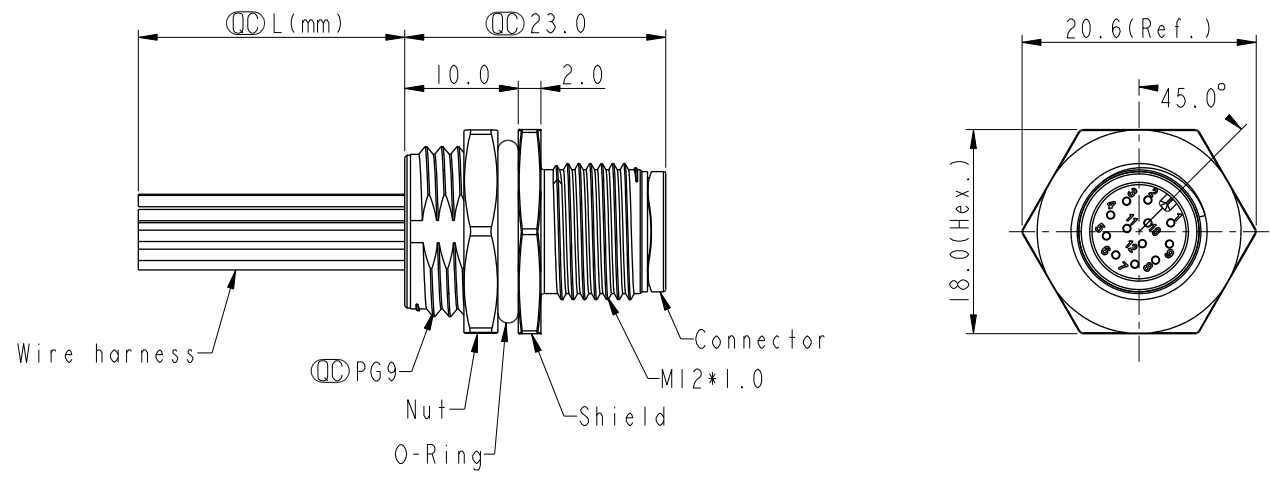


THIS DOCUMENT IS SUBJECT TO CHANGE WITHOUT NOTICE. IT IS CONFIDENTIAL AND A PROPERTY OF Amphenol LTW. DISCLOSURE TO THIRD PARTY HAS TO BE AUTHORIZED BY Amphenol LTW.

REV.	ECN NO.	DATE	SIGN	DESCRIPTION
I	C221879	2022/12/19	Ruru	△ XI
J	C231033	2023/08/08	Ruru	△ J XI
K	C240701	2024/06/19	Ruru	△ K X2



Recommended Panel Cut-Out

Note: △ C D F G H

- * RoHS Compliant
- * Ⓞ Important dimension
- △ * Waterproof rate: IP68, unmated 1m/24h IP69K, mated
- * Connector
 - Housing: Thermoplastic, Black
 - Pin: Copper alloy, Gold plated
- * Shield: Metal
- * Nut: Metal
- * O-Ring: Rubber, Black
- * Wire harness: UL1061
- * For panel thickness max: 4.5mm
- * O-Ring and nut are assembled on connectors
- △ * Wire harness tolerance: 150mm < L ≤ 300mm: ±15mm
 300mm < L ≤ 1000mm: ±20mm
 1000mm < L ≤ 1500mm: +50/-0mm

UNIT: mm	
TOLERANCE	
.X	±0.25
.XX	±0.1
.XXX	±0.05
ANGLES	±1°

TITLE N SEN, M12 A, SCREW RECEPTACLE, M, M, SOLDER △			
SCALE 1:1	SIZE A4	SHEET 1 OF 2	
REV. K	WC-REV. A.5	Ⓞ: Inspection item	

Amphenol LTW
安費諾亮泰企業股份有限公司

ITEM NO	DRAWN BY Ruru	DATE 2024-06-19
DWG NO △ M12A-XXPMMS-SH8BXX	CHECKED BY Rita	DATE 2024-06-19
CUSTOMER ALTW	APPROVED BY Fred	DATE 2024-06-19

THIS DOCUMENT IS SUBJECT TO CHANGE WITHOUT NOTICE. IT IS CONFIDENTIAL AND A PROPERTY OF Amphenol LTW. DISCLOSURE TO THIRD PARTY HAS TO BE AUTHORIZED BY Amphenol LTW.

12P	26	M12A-12PMMS-SH8BXX
10P		M12A-10PMMS-SH8BXX
8P	24	M12A-08PMMS-SH8BXX
6P		M12A-06PMMS-SH8BXX
Contacts	AWG	Item No.

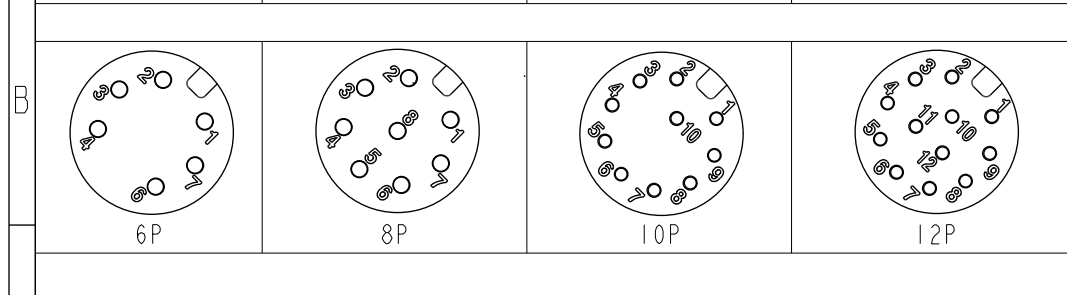
△_D△_F△_H
M12A-XXPMMS-SH8BXX

XX: No. Of Pin

△_K
 15:150mm
 20:200mm
 ↓
 95:950mm
 Cable Pitch Unit=50mm
 A0:1000mm
 ↓
 A5:1500mm
 Cable Pitch Unit=100mm
 Wire Length (L):150~1500 mm

1	2	3	4	5	6	7	8
F							
E							
D							

8	--	8	Red	紅	12	--	12	Red/Blue	紅/藍
7	Blue	7	Blue	藍	11	--	11	Gray/Pink	灰/粉
6	Pink	6	Pink	粉	10	Violet	10	Violet	紫
5	-	5	Gray	灰	9	Black	9	Black	黑
4	Yellow	4	Yellow	黃	8	Red	8	Red	紅
3	Green	3	Green	綠	7	Blue	7	Blue	藍
2	Brown	2	Brown	棕	6	Pink	6	Pink	粉
1	White	1	White	白	5	Gray	5	Gray	灰
					4	Yellow	4	Yellow	黃
					3	Green	3	Green	綠
					2	Brown	2	Brown	棕
					1	White	1	White	白
Pin #	Wire	Pin #	Wire		Pin #	Wire	Pin #	Wire	



UNIT:mm		TITLE
TOLERANCE		N SEN, M12 A, SCREW RECEPTACLE, M, M, SOLDER △
.X ±0.25		SCALE 1:1
.XX ±0.1		SIZE A4
.XXX ±0.05		SHEET 2 OF 2
ANGLES ±1°		REV. K
		WC-REV. A.5
		QC: Inspection item

Amphenol LTW
安費諾亮泰企業股份有限公司

ITEM NO	DRAWN BY	DATE
	Ruru	2024-06-19
DWG NO	CHECKED BY	DATE
△ _K M12A-XXPMMS-SH8BXX	Rita	2024-06-19
CUSTOMER	APPROVED BY	DATE
ALTW	Fred	2024-06-19