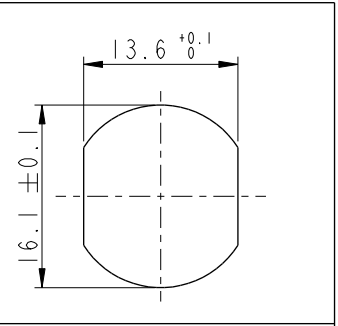
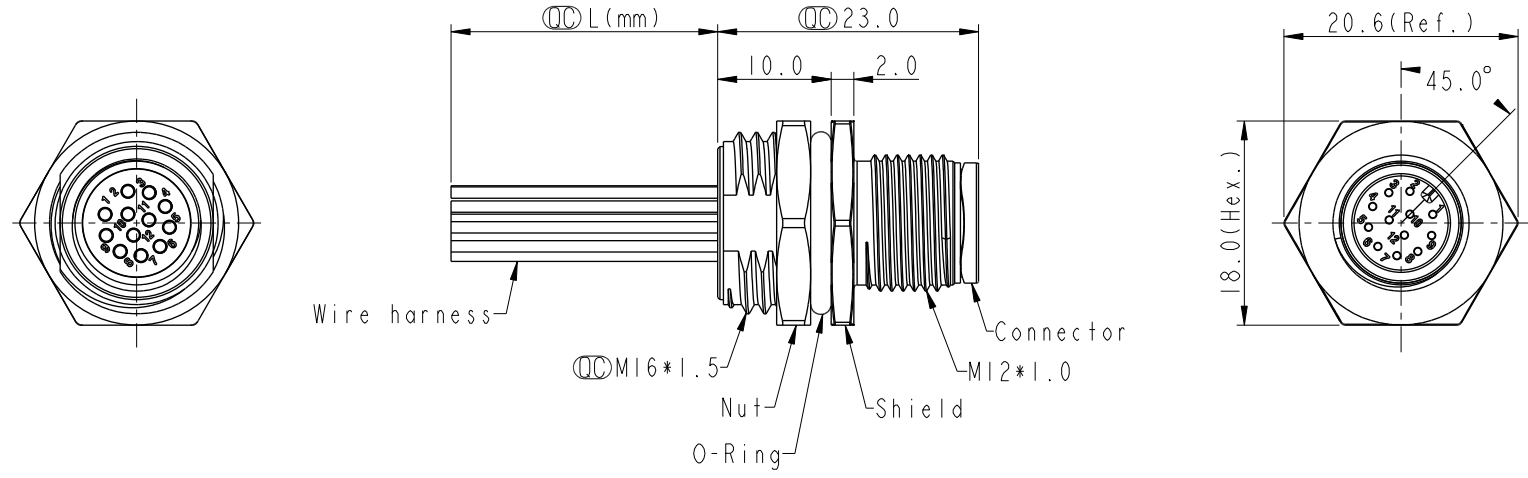


THIS DOCUMENT IS SUBJECT TO CHANGE WITHOUT NOTICE. IT IS CONFIDENTIAL AND A PROPERTY OF Amphenol LTW. DISCLOSURE TO THIRD PARTY HAS TO BE AUTHORIZED BY Amphenol LTW.

REV.	ECN NO.	DATE	SIGN	DESCRIPTION
I	C221879	2022/12/19	Ruru	XI
J	C231033	2023/08/08	Ruru	XI
K	C240701	2024/06/19	Ruru	X3



- Note: \triangle C D F G H
- * RoHS Compliant
 - * CC Important dimension
 - \triangle * Waterproof rate: IP68, unmated 1m/24h
 \triangle IP69K, mated
 - * Connector
 Housing: Thermoplastic, Black
 Pin: Copper alloy, Gold plated
 - * Shield: Metal
 - * Nut: Metal
 - * O-Ring: Rubber, Black
 - * Wire harness: UL1061
 - * For panel thickness max: 4.5mm
 - * O-Ring and nut are assembled on connectors
 - \triangle * Wire harness tolerance: 150mm < L ≤ 300mm: ±15mm
 300mm < L ≤ 1000mm: ±20mm
 1000mm < L ≤ 1500mm: +50/-0mm

A	UNIT: mm	CC	CC	TITLE N SEN, M12 A, SCREW RECEPTACLE, M, M, SOLDER \triangle
	TOLERANCE .X ±0.25 .XX ±0.1 .XXX ±0.05 ANGLES ±1°	SCALE 1:1	SIZE A4	SHEET 1 OF 2
		REV. K	WC-REV. A.5	CC : Inspection item

Amphenol LTW
安費諾亮泰企業股份有限公司

ITEM NO	DRAWN BY	DATE
DWG NO \triangle M12A-XXPMMS-SH8CXX	Ruru	2024-06-19
CUSTOMER	CHECKED BY	DATE
ALTW	Rita	2024-06-19
	APPROVED BY	DATE
	Fred	2024-06-19

THIS DOCUMENT IS SUBJECT TO CHANGE WITHOUT NOTICE. IT IS CONFIDENTIAL AND A PROPERTY OF Amphenol LTW. DISCLOSURE TO THIRD PARTY HAS TO BE AUTHORIZED BY Amphenol LTW.

12P	26	M12A-12PMMS-SH8CXX
10P		M12A-10PMMS-SH8CXX
8P	24	M12A-08PMMS-SH8CXX
6P		M12A-06PMMS-SH8CXX
Contacts	AWG	Item No.

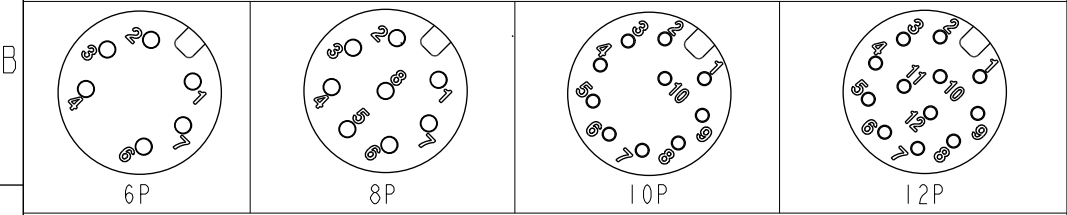

 M12A-XXPMMS-SH8CXX


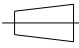

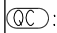
XX: No. Of Pin


 15: 150mm
 20: 200mm
 }
 95: 950mm
 Cable Pitch Unit=50mm


 A0: 1000mm
 }
 A5: 1500mm
 Cable Pitch Unit=100mm
 Wire Length (L): 150~1500 mm

8	--	8	Red	紅	12	--	12	Red/Blue	紅/藍
7	Blue	7	Blue	藍	11	--	11	Gray/Pink	灰/粉
6	Pink	6	Pink	粉	10	Violet	10	Violet	紫
5	-	5	Gray	灰	9	Black	9	Black	黑
4	Yellow	4	Yellow	黃	8	Red	8	Red	紅
3	Green	3	Green	綠	7	Blue	7	Blue	藍
2	Brown	2	Brown	棕	6	Pink	6	Pink	粉
1	White	1	White	白	5	Gray	5	Gray	灰
Pin #	Wire	Pin #	Wire		Pin #	Wire	Pin #	Wire	



UNIT: mm			TITLE N SEN, M12 A, SCREW RECEPTACLE, M, M, SOLDER 
TOLERANCE .X ±0.25 .XX ±0.1 .XXX ±0.05 ANGLES ±1°	SCALE 1:1	SIZE A4	SHEET 2 OF 2
	REV. K	WC-REV. A.5	 : Inspection item

Amphenol LTW
 安費諾亮泰企業股份有限公司

ITEM NO	DRAWN BY Ruru	DATE 2024-06-19
DWG NO  M12A-XXPMMS-SH8CXX	CHECKED BY Rita	DATE 2024-06-19
CUSTOMER ALTW	APPROVED BY Fred	DATE 2024-06-19