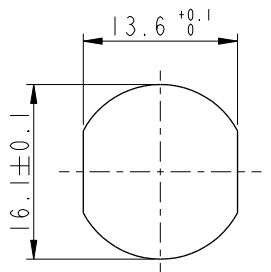


THIS DOCUMENT IS SUBJECT TO CHANGE WITHOUT NOTICE. IT IS CONFIDENTIAL AND A PROPERTY OF Amphenol LTW. DISCLOSURE TO THIRD PARTY HAS TO BE AUTHORIZED BY Amphenol LTW.

REV.	ECN NO.	DATE	SIGN	DESCRIPTION
E	C210309	2021/02/24	Ruru	$\triangle E$ X2
F	C221973	2022/12/21	Ruru	$\triangle F$ X1
G	C231034	2023/08/08	Ruru	$\triangle G$ X1

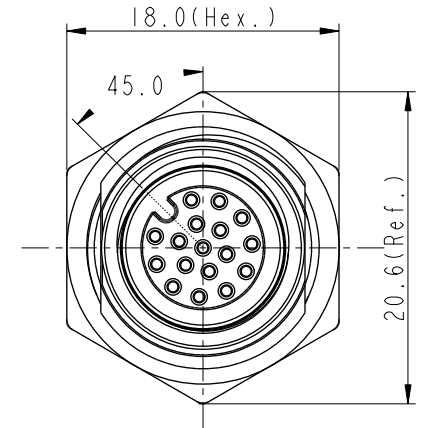
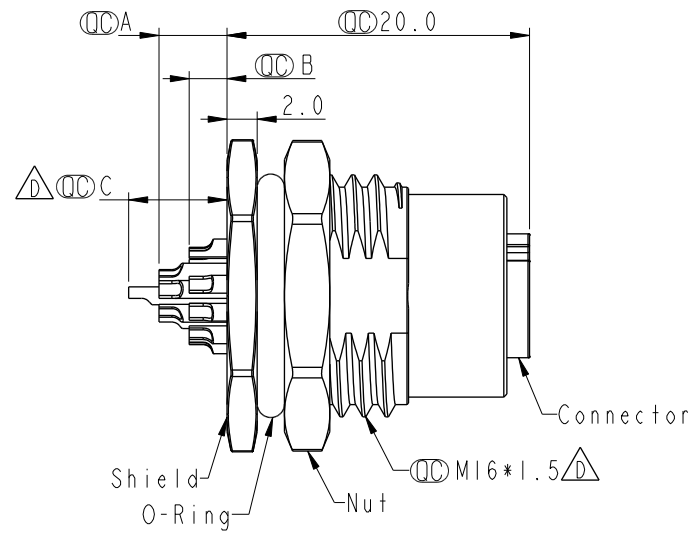
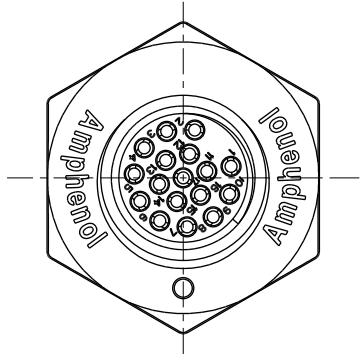


$\triangle B$   
 $\triangle D$

$\triangle C \triangle D$   
MI2A-XXPFFS-SF8002

XX: No. Of Pin

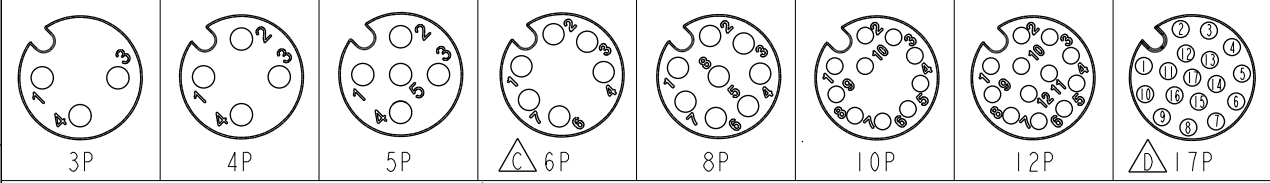
Recommended  
Panel Cut-Out



$\triangle C \triangle D$

MI2A-03PFFS-SF8002		2.5	
MI2A-04PFFS-SF8002		2.5	
MI2A-05PFFS-SF8002		2.5	
MI2A-06PFFS-SF8002		2.5	
MI2A-08PFFS-SF8002		2.5	
MI2A-10PFFS-SF8002	4.5	2.5	
MI2A-12PFFS-SF8002	4.5	2.5	
MI2A-17PFFS-SF8002	4.5	2.5	6.5
Item No.	A	B	C
	Pin伸出長度		

- $\triangle D \triangle E$  Note:
- \* RoHS Compliant
  - \*  $\odot$  Important dimension
  - $\triangle F \triangle C$  \* Waterproof rate: IP68, unmated 1m/24h  
 $\triangle G$  IP69K, mated
  - \* Connector  
Housing: Thermoplastic, Black  
Pin: Copper alloy, Gold plated  
O-Ring: Rubber, Green
  - \* Shield: Metal
  - \* Nut: Metal
  - \* O-Ring: Rubber, Black
  - \* For panel thickness max: 4.5mm
  - \* Nut is packed separately in pe bag



Pin Assignment Front View

UNIT: mm			TITLE N SEN, MI2 A, SCREW RECEPTACLE, F, F, SOLDER $\triangle E$
TOLERANCE .X ±0.25 .XX ±0.1 .XXX ±0.05 ANGLES ±1°	SCALE 3:2	SIZE A4	SHEET 1 OF 1
	REV. G	WC-REV. A.5	$\odot$ : Inspection item

**Amphenol LTW**  
安費諾亮泰企業股份有限公司

ITEM NO.	DRAWN BY Yulong_wang	DATE 2016-08-06
DWG NO. $\triangle$ MI2A-XXPFFS-SF8002	CHECKED BY Jinhai	DATE 2016-08-06
CUSTOMER ALTW	APPROVED BY Jerry	DATE 2016-08-06