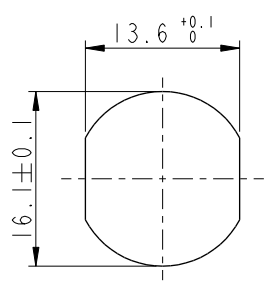
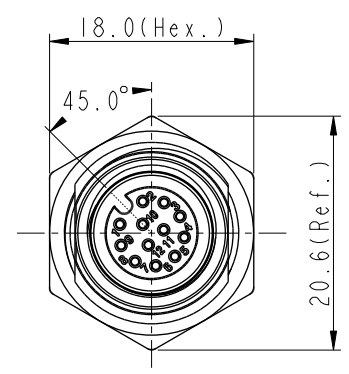
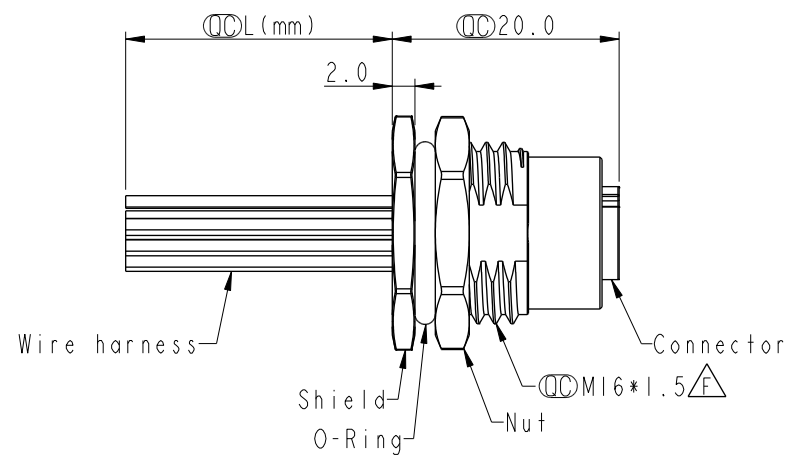
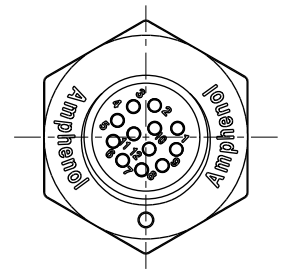


THIS DOCUMENT IS SUBJECT TO CHANGE WITHOUT NOTICE. IT IS CONFIDENTIAL AND A PROPERTY OF Amphenol LTW. DISCLOSURE TO THIRD PARTY HAS TO BE AUTHORIZED BY Amphenol LTW.

REV.	ECN NO.	DATE	SIGN	DESCRIPTION
H	C221878	2022/12/19	Ruru	△H X1
I	C231033	2023/08/07	Ruru	△I X1
J	C240700	2024/06/19	Ruru	△J X2



Recommended Panel Cut-Out

- Note: △C △D △F △G
- * RoHS Compliant
 - * △C Important dimension
 - △H* Waterproof rate: IP68, unmated 1m/24h
△I IP69K, mated
 - * Connector
Housing: Thermoplastic, Black
Pin: Copper alloy, Gold plated
O-Ring: Rubber, Green
 - * Shield: Metal
 - * Nut: Metal
 - * O-Ring: Rubber, Black
 - * Wire harness: UL1061
 - * For panel thickness max: 4.5mm
 - * O-Ring and nut are assembled on connectors
 - △J* Wire harness tolerance: 150mm < L ≤ 300mm: ±15mm
300mm < L ≤ 1000mm: ±20mm
1000mm < L ≤ 1500mm: +50/-0mm


UNIT: mm	
TOLERANCE	
.X	±0.25
.XX	±0.1
.XXX	±0.05
ANGLES	±1°

TITLE N SEN, M12 A, SCREW RECEPTACLE, F, F, SOLDER △G		
SCALE 3:2	SIZE A4	SHEET 1 OF 2
REV. J	WC-REV. A.3	△C: Inspection item

Amphenol LTW
安費諾亮泰企業股份有限公司

ITEM NO	DRAWN BY	DATE
	Ruru	2024-06-19
DWG NO △E M12A-XXPFFS-SF8CXX	CHECKED BY	DATE
	Rita	2024-06-19
CUSTOMER ALTW	APPROVED BY	DATE
	Fred	2024-06-19

THIS DOCUMENT IS SUBJECT TO CHANGE WITHOUT NOTICE. IT IS CONFIDENTIAL AND A PROPERTY OF Amphenol LTW. DISCLOSURE TO THIRD PARTY HAS TO BE AUTHORIZED BY Amphenol LTW.

	12P	26	M12A-12PFFS-SF8CXX
	10P		M12A-10PFFS-SF8CXX
	8P	24	M12A-08PFFS-SF8CXX
	6P		M12A-06PFFS-SF8CXX
Contacts	AWG	Item No.	


 M12A-XXPFFS-SF8CXX

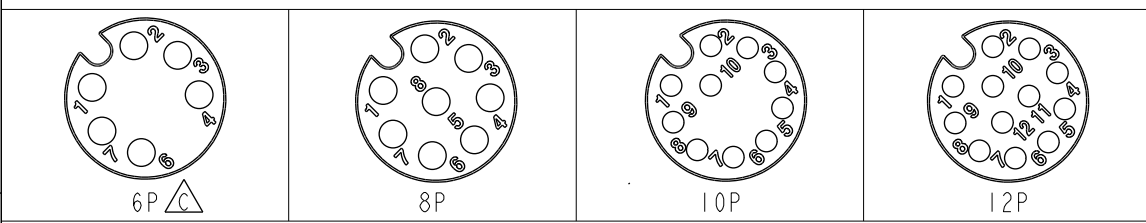
XX: No. Of Pin


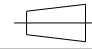


 15:150mm
 20:200mm
 }
 95:950mm
 Cable Pitch Unit=50mm

 A0:1000mm
 }
 A5:1500mm
 Cable Pitch Unit=100mm
 Wire Length (L):150~1500 mm


8	--	8	Red	紅	8	Red	紅	12	--	12	Red/Blue	紅/藍
7	Blue	7	Blue	藍	7	Blue	藍	11	--	11	Gray/Pink	灰/粉
6	Pink	6	Pink	粉	6	Pink	粉	10	Violet	10	Violet	紫
5	--	5	Gray	灰	5	Gray	灰	9	Black	9	Black	黑
4	Yellow	4	Yellow	黃	4	Yellow	黃	8	Red	8	Red	紅
3	Green	3	Green	綠	3	Green	綠	7	Blue	7	Blue	藍
2	Brown	2	Brown	棕	2	Brown	棕	6	Pink	6	Pink	粉
1	White	1	White	白	1	White	白	5	Gray	5	Gray	灰
								4	Yellow	4	Yellow	黃
								3	Green	3	Green	綠
								2	Brown	2	Brown	棕
								1	White	1	White	白





UNIT:mm			TITLE N SEN, M12 A, SCREW RECEPTACLE, F, F, SOLDER 
TOLERANCE .X ±0.25 .XX ±0.1 .XXX ±0.05 ANGLES ±1°	SCALE 3:2	SIZE A4	SHEET 2 OF 2
REV. J	WC-REV. A.3	☉: Inspection item	

Amphenol LTW
安費諾亮泰企業股份有限公司

ITEM NO.	DRAWN BY Ruru	DATE 2024-06-19
DWG NO.  M12A-XXPFFS-SF8CXX	CHECKED BY Rita	DATE 2024-06-19
CUSTOMER ALTW	APPROVED BY Fred	DATE 2024-06-19