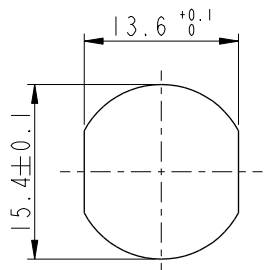
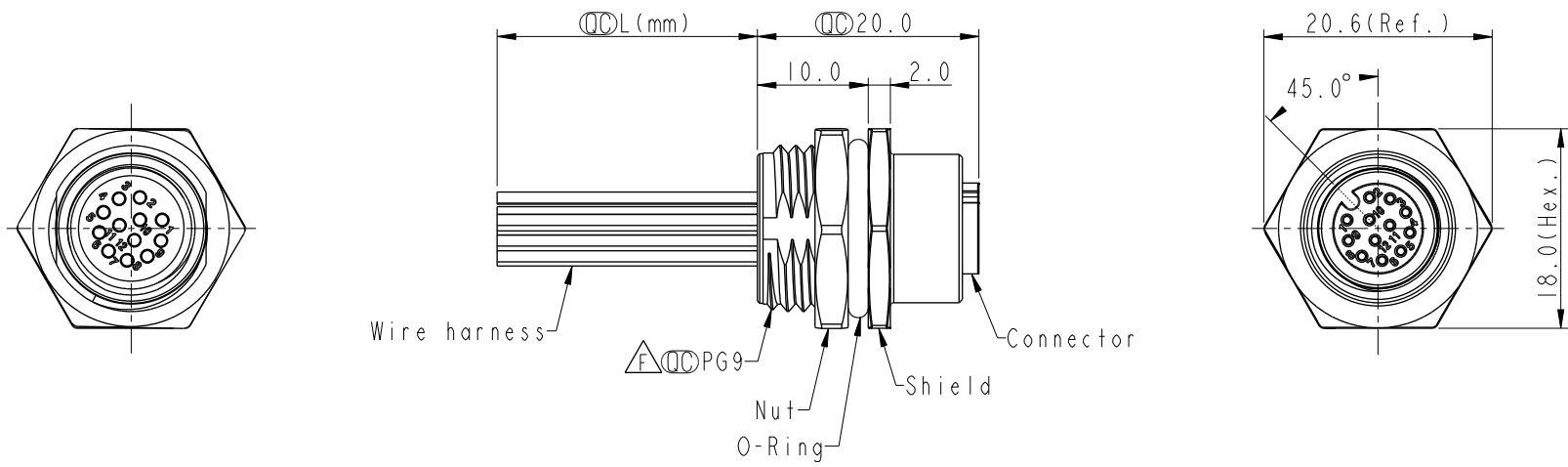


THIS DOCUMENT IS SUBJECT TO CHANGE WITHOUT NOTICE. IT IS CONFIDENTIAL AND A PROPERTY OF Amphenol LTW. DISCLOSURE TO THIRD PARTY HAS TO BE AUTHORIZED BY Amphenol LTW.

REV.	ECN NO.	DATE	SIGN	DESCRIPTION
H	C221878	2022/12/19	Ruru	△H X1
I	C231033	2023/08/07	Ruru	△I X1
J	C240700	2024/06/19	Ruru	△J X2



Recommended Panel Cut-Out

- Note: △C △D △E △F △G
- * RoHS Compliant
 - * Ⓞ Important dimension
 - △H * Waterproof rate: IP68, unmated 1m/24h
 △I IP69K, mated
 - * Connector
 Housing: Thermoplastic, Black
 Pin: Copper alloy, Gold plated
 O-Ring: Rubber, Green
 - * Shield: Metal
 - * Nut: Metal
 - * O-Ring: Rubber, Black
 - * Wire harness: UL1061
 - * For panel thickness max: 4.5mm
 - * O-Ring and nut are assembled on connectors
 - △J * Wire harness tolerance: 150mm < L ≤ 300mm: ±15mm
 300mm < L ≤ 1000mm: ±20mm
 1000mm < L ≤ 1500mm: +50/-0mm


UNIT: mm		
TOLERANCE		
.X	±0.25	
.XX	±0.1	
.XXX	±0.05	
ANGLES	±1°	

TITLE N SEN, M12 A, SCREW RECEPTACLE, F, F, SOLDER △G		
SCALE 3:2	SIZE A4	SHEET 1 OF 2
REV. J	WC-REV. A.3	Ⓞ: Inspection item


Amphenol LTW
 安費諾亮泰企業股份有限公司

ITEM NO	DRAWN BY Ruru	DATE 2024-06-19
DWG NO △E M12A-XXPFFS-SH8BXX	CHECKED BY Rita	DATE 2024-06-19
CUSTOMER ALTW	APPROVED BY Fred	DATE 2024-06-19

THIS DOCUMENT IS SUBJECT TO CHANGE WITHOUT NOTICE. IT IS CONFIDENTIAL AND A PROPERTY OF Amphenol LTW. DISCLOSURE TO THIRD PARTY HAS TO BE AUTHORIZED BY Amphenol LTW.

	12P	26	M12A-12PFFS-SH8BXX
	10P		M12A-10PFFS-SH8BXX
	8P	24	M12A-08PFFS-SH8BXX
	6P		M12A-06PFFS-SH8BXX
Contacts	AWG	Item No.	

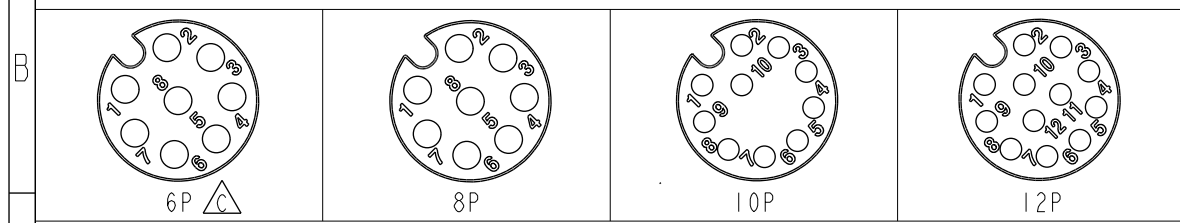

 M12A-XXPFFS-SH8BXX

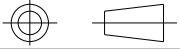


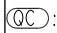
XX: No. Of Pin 

15: 150mm
 20: 200mm
 ↓
 95: 950mm
 Cable Pitch Unit=50mm

A0: 1000mm
 ↓
 A5: 1500mm
 Cable Pitch Unit=100mm
 Wire Length (L): 150~1500 mm

8	--	8	Red	紅	8	Red	紅	12	--	12	Red/Blue	紅/藍
7	Blue	7	Blue	藍	7	Blue	藍	11	--	11	Gray/Pink	灰/粉
6	Pink	6	Pink	粉	6	Pink	粉	10	Violet	10	Violet	紫
5	--	5	Gray	灰	5	Gray	灰	9	Black	9	Black	黑
4	Yellow	4	Yellow	黃	4	Yellow	黃	8	Red	8	Red	紅
3	Green	3	Green	綠	3	Green	綠	7	Blue	7	Blue	藍
2	Brown	2	Brown	棕	2	Brown	棕	6	Pink	6	Pink	粉
1	White	1	White	白	1	White	白	5	Gray	5	Gray	灰
								4	Yellow	4	Yellow	黃
								3	Green	3	Green	綠
								2	Brown	2	Brown	棕
								1	White	1	White	白
Pin #	Wire	Pin #	Wire		Pin #	Wire		Pin #	Wire		Wire	



UNIT: mm  TOLERANCE .X ±0.25 .XX ±0.1 .XXX ±0.05 ANGLES ±1°	TITLE N SEN, M12 A, SCREW RECEPTACLE, F, F, SOLDER 		<h1 style="text-align: center;">Amphenol LTW</h1> <h2 style="text-align: center;">安費諾亮泰企業股份有限公司</h2>		ITEM NO	DRAWN BY	DATE
	SCALE 3:2	SIZE A4			SHEET 2 OF 2	 M12A-XXPFFS-SH8BXX CUSTOMER ALTW	CHECKED BY
	REV. J	WC-REV. A.3	 : Inspection item		APPROVED BY	DATE	