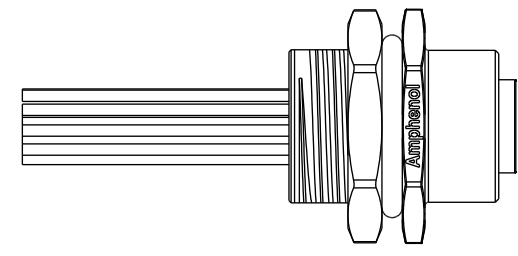
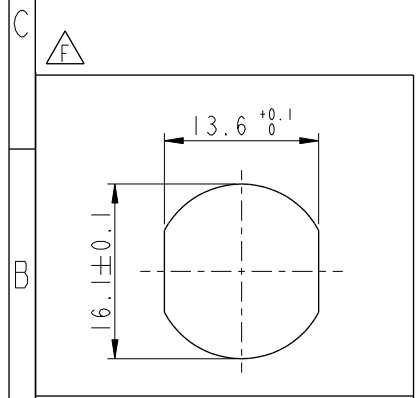
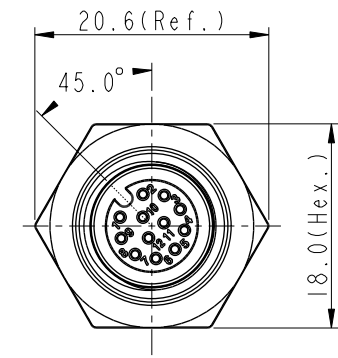
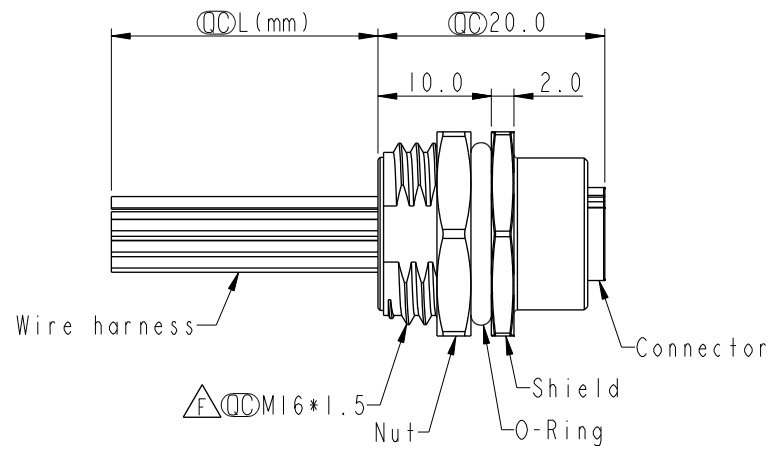
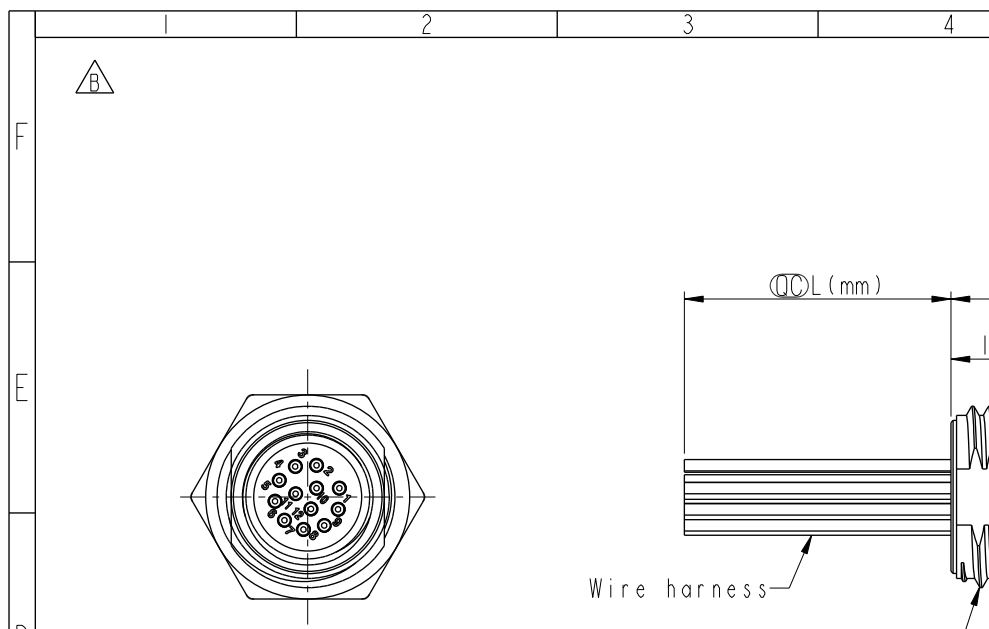


THIS DOCUMENT IS SUBJECT TO CHANGE WITHOUT NOTICE. IT IS CONFIDENTIAL AND A PROPERTY OF Amphenol LTW. DISCLOSURE TO THIRD PARTY HAS TO BE AUTHORIZED BY Amphenol LTW.

REV.	ECN NO.	DATE	SIGN	DESCRIPTION
H	C221878	2022/12/19	Ruru	X1
I	C231033	2023/08/07	Ruru	X1
J	C240700	2024/06/19	Ruru	X2



- Note:
- \* RoHS Compliant
  - \* Important dimension
  - \* Waterproof rate: IP68, unmated 1m/24h  
 IP69K, mated
  - \* Connector  
 Housing: Thermoplastic, Black  
 Pin: Copper alloy, Gold plated  
 O-Ring: Rubber, Green
  - \* Shield: Metal
  - \* Nut: Metal
  - \* O-Ring: Rubber, Black
  - \* Wire harness: ULI061
  - \* For panel thickness max: 4.5mm
  - \* O-Ring and nut are assembled on connectors
  - \* Wire harness tolerance: 150mm < L ≤ 300mm: ±15mm  
 300mm < L ≤ 1000mm: ±20mm  
 1000mm < L ≤ 1500mm: +50/-0mm

Recommended Panel Cut-Out


UNIT: mm	
TOLERANCE	
.X	±0.25
.XX	±0.1
.XXX	±0.05
ANGLES	±1°

TITLE N SEN, M12 A, SCREW RECEPTACLE, F, F, SOLDER			
SCALE 3:2	SIZE A4	SHEET 1 OF 2	
REV. J	WC-REV. A.3	: Inspection item	


**Amphenol LTW**  
 安費諾亮泰企業股份有限公司

ITEM NO.	DRAWN BY Ruru	DATE 2024-06-19
DWG NO. M12A-XXPFFS-SH8CXX	CHECKED BY Rita	DATE 2024-06-19
CUSTOMER ALTW	APPROVED BY Fred	DATE 2024-06-19

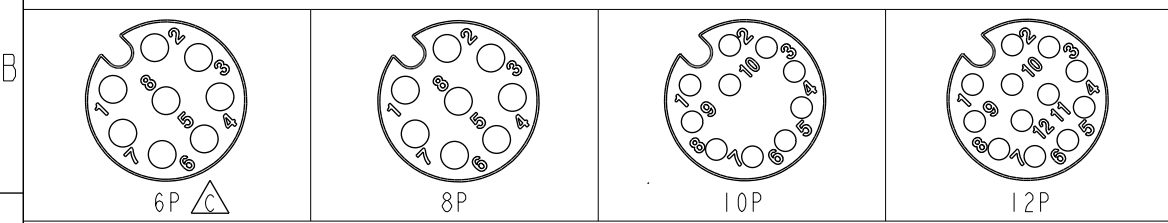
THIS DOCUMENT IS SUBJECT TO CHANGE WITHOUT NOTICE. IT IS CONFIDENTIAL AND A PROPERTY OF Amphenol LTW. DISCLOSURE TO THIRD PARTY HAS TO BE AUTHORIZED BY Amphenol LTW.

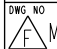

	12P	26	M12A-12PFFS-SH8CXX
	10P		M12A-10PFFS-SH8CXX
	8P	24	M12A-08PFFS-SH8CXX
	6P		M12A-06PFFS-SH8CXX
Contacts	AWG	Item No.	

  
 M12A-XXPFFS-SH8CXX

XX: No. Of Pin  15:150mm  
 20:200mm  
 95:950mm  
 Cable Pitch Unit=50mm  
 A0:1000mm  
 A5:1500mm  
 Cable Pitch Unit=100mm  
 Wire Length (L):150~1500 mm

8	--	8	Red	紅	12	--	12	Red/Blue	紅/藍
7	Blue	7	Blue	藍	11	--	11	Gray/Pink	灰/粉
6	Pink	6	Pink	粉	10	Violet	10	Violet	紫
5	--	5	Gray	灰	9	Black	9	Black	黑
4	Yellow	4	Yellow	黃	8	Red	8	Red	紅
3	Green	3	Green	綠	7	Blue	7	Blue	藍
2	Brown	2	Brown	棕	6	Pink	6	Pink	粉
1	White	1	White	白	5	Gray	5	Gray	灰
					4	Yellow	4	Yellow	黃
					3	Green	3	Green	綠
					2	Brown	2	Brown	棕
					1	White	1	White	白



UNIT:mm  TOLERANCE .X ±0.25 .XX ±0.1 .XXX ±0.05 ANGLES ±1°	TITLE N SEN, M12 A, SCREW RECEPTACLE, F, F, SOLDER 		<b>Amphenol LTW</b> <b>安費諾亮泰企業股份有限公司</b>		ITEM NO  M12A-XXPFFS-SH8CXX	DRAWN BY Ruru	DATE 2024-06-19
	SCALE 3:2	SIZE A4			SHEET 2 OF 2	DWG NO  M12A-XXPFFS-SH8CXX	CHECKED BY Rita
	REV. J	WC-REV. A.3	 Inspection item	CUSTOMER ALTW	APPROVED BY Fred	DATE 2024-06-19	