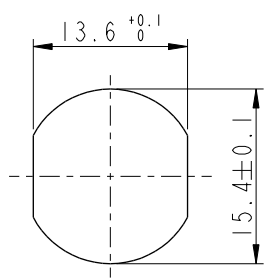


THIS DOCUMENT IS SUBJECT TO CHANGE WITHOUT NOTICE. IT IS CONFIDENTIAL AND A PROPERTY OF Amphenol LTW. DISCLOSURE TO THIRD PARTY HAS TO BE AUTHORIZED BY Amphenol LTW.

REV.	ECN NO.	DATE	SIGN	DESCRIPTION
G	C211340	2021/08/23	Allen Pan	△G X2
H	C221973	2022/12/21	Ruru	△H X1
I	C231044	2023/08/10	Ruru	△I X1



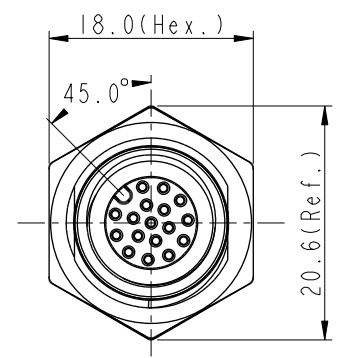
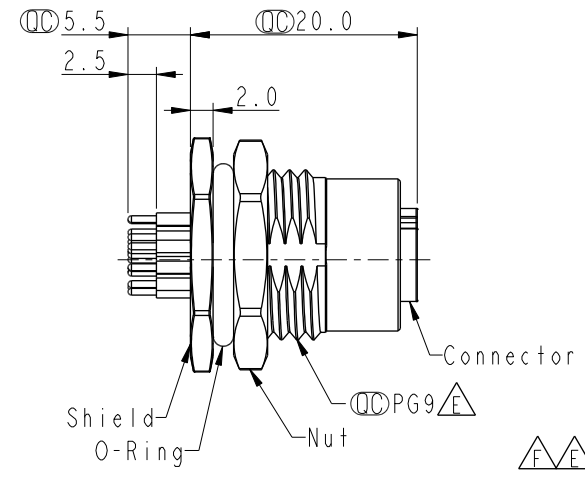
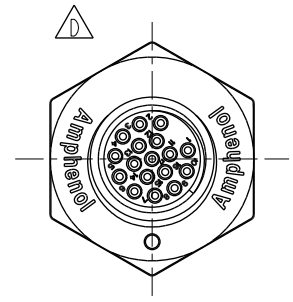
Recommended Panel Cut-Out

△B △E

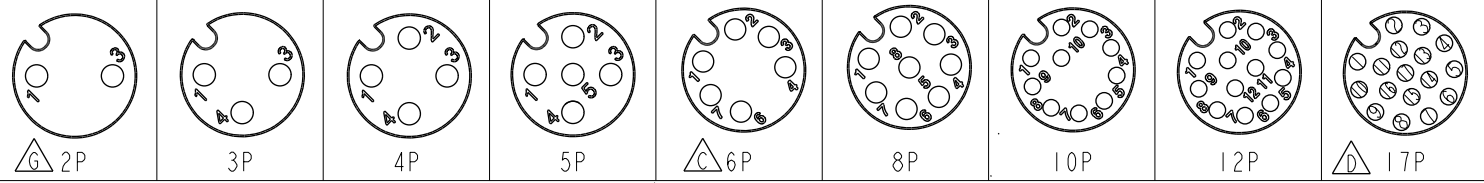
△C △D △E

M12A-XXPFFP-SF8001

XX: No. Of Pin



- △F △E Note:
- * RoHS Compliant
 - * ∅ Important dimension
 - △H △C * Waterproof rate: IP68, unmated 1m/24h
△I IP69K, mated
 - * Connector
Housing: Thermoplastic, Black
Pin: Copper alloy, Gold plated
O-Ring: Rubber, Green
 - * Shield: Metal
 - * Nut: Metal
 - * O-Ring: Rubber, Black
 - * For panel thickness max: 4.5mm
 - * Nut is packed separately in pe bag

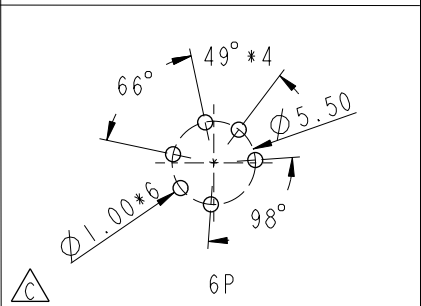
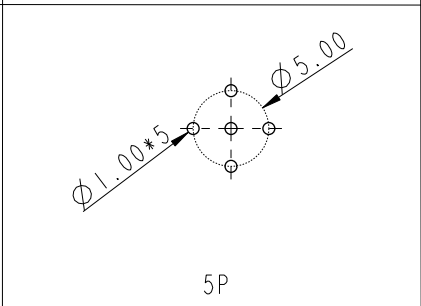
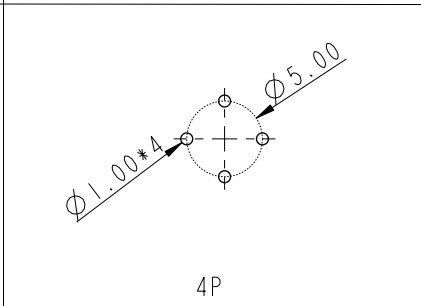
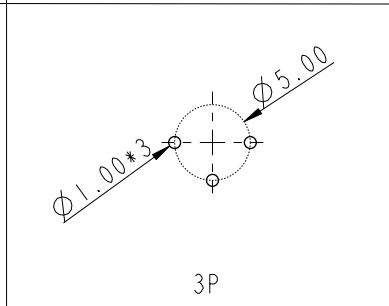
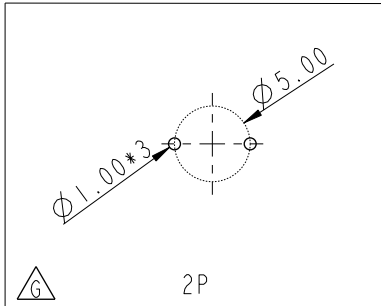
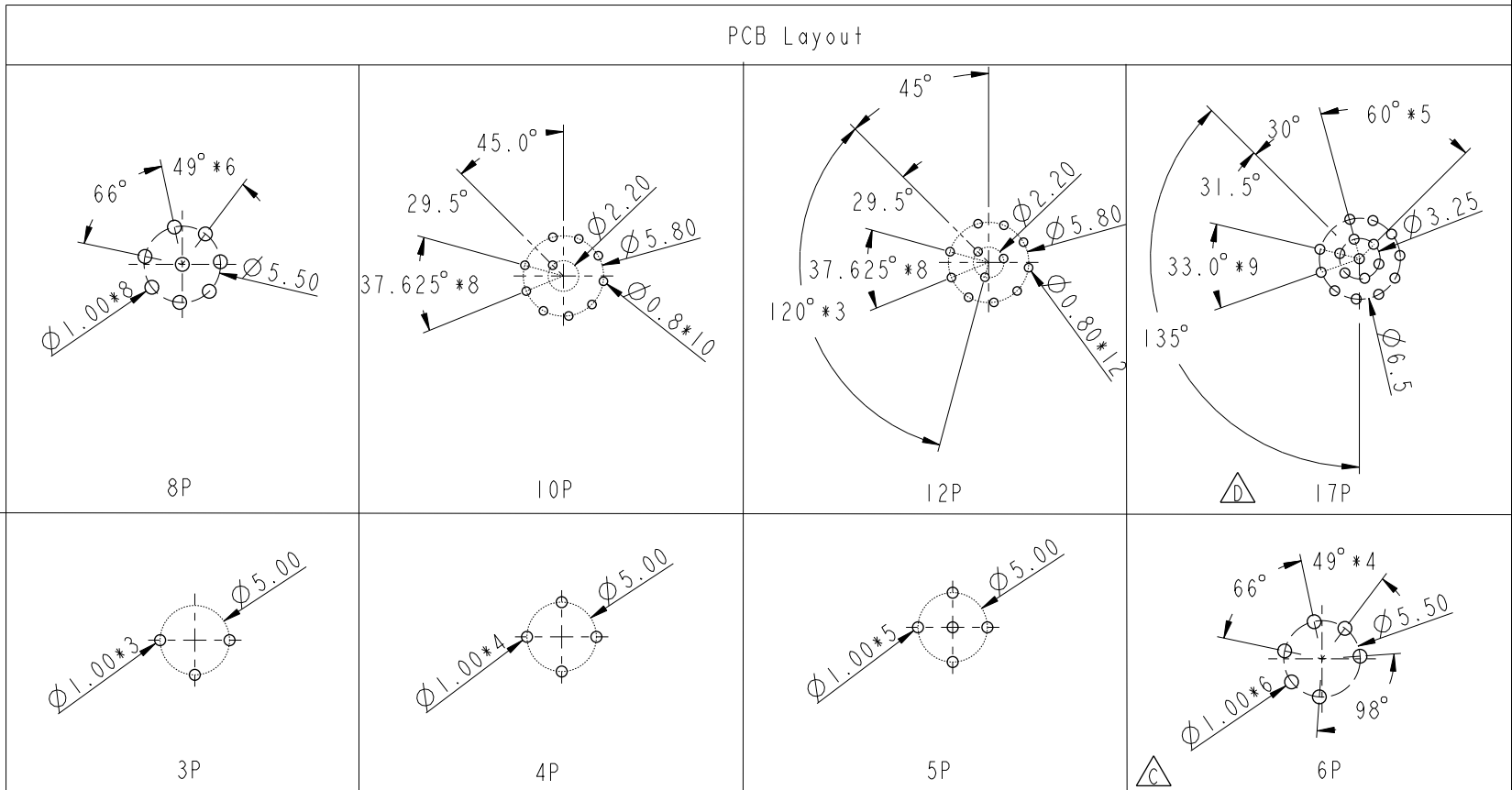


Pin Assignment Front View

UNIT: mm		TITLE N SEN, M12 A, SCREW RECEPTACLE, F, F, PCB S △E		<h1>Amphenol LTW</h1> <p>安費諾亮泰企業股份有限公司</p>	ITEM NO	DRAWN BY	DATE
		TOLERANCE .X ±0.25 .XX ±0.1 .XXX ±0.05 ANGLES ±1°	SCALE 2:1		SIZE A4	SHEET 1 OF 2	∅ Inspection item
		REV. 1	WC-REV. A.5		CUSTOMER ALTW	APPROVED BY Jerry	DATE 2016-08-08

THIS DOCUMENT IS SUBJECT TO CHANGE WITHOUT NOTICE. IT IS CONFIDENTIAL AND A PROPERTY OF Amphenol LTW. DISCLOSURE TO THIRD PARTY HAS TO BE AUTHORIZED BY Amphenol LTW.

PCB Layout



UNIT: mm		
TOLERANCE	.X	±0.25
	.XX	±0.1
	.XXX	±0.05
ANGLES		±1°

TITLE N SEN, M12 A, SCREW RECEPTACLE, F, F, PCB S			
SCALE	2:1	SIZE	A4
SHEET	2	OF	2
REV.	1	WC-REV.	A.4
☉: Inspection item			

Amphenol LTW
安費諾亮泰企業股份有限公司

ITEM NO	
DWG NO	M12A-XXPFFP-SF8001
CUSTOMER	ALTW

DRAWN BY	Yulong_wang
CHECKED BY	Jinhai
APPROVED BY	Jerry

DATE	2016-08-08
DATE	2016-08-08
DATE	2016-08-08