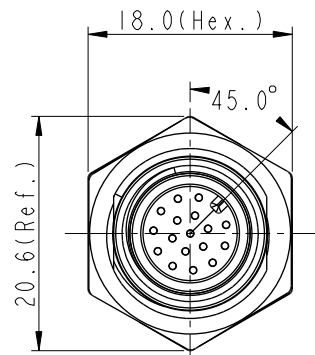
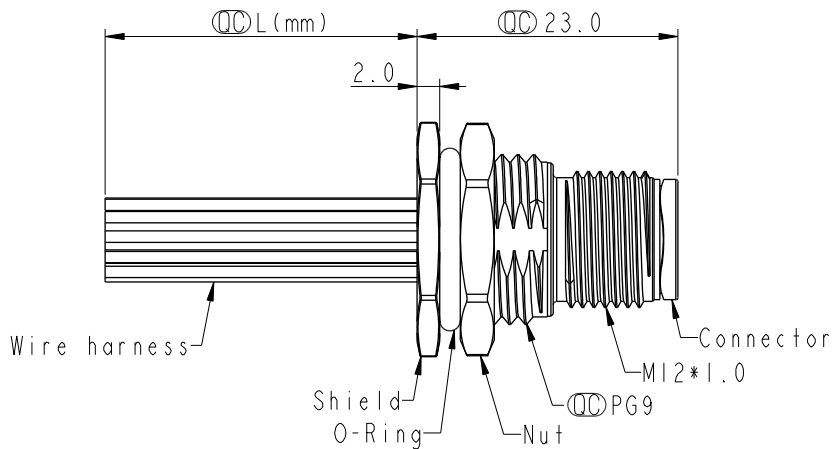
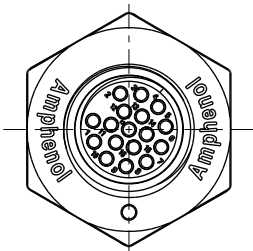


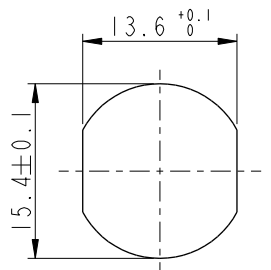
THIS DOCUMENT IS SUBJECT TO CHANGE WITHOUT NOTICE. IT IS CONFIDENTIAL AND A PROPERTY OF Amphenol LTW. DISCLOSURE TO THIRD PARTY HAS TO BE AUTHORIZED BY Amphenol LTW.

REV.	ECN NO.	DATE	SIGN	DESCRIPTION
I	C221878	2022/12/19	Ruru	△ XI
J	C231031	2023/08/04	Ruru	△ J XI
K	C240700	2024/06/20	Ruru	△ K X2



Note: △ C D F G H

- \* RoHS Compliant
- \* (QC) Important dimension
- △ \* Waterproof rate: IP68, unmated 1m/24h  
△ IP69K, mated
- \* Connector  
Housing: Thermoplastic, Black  
Pin: Copper alloy, Gold plated
- \* Shield: Metal
- \* Nut: Metal
- \* O-Ring: Rubber, Black
- \* Wire harness: UL1061
- \* For panel thickness max: 4.5mm
- \* O-Ring and nut are assembled on connectors
- △ \* Wire harness tolerance: 150mm < L ≤ 300mm: ±15mm  
300mm < L ≤ 1000mm: ±20mm  
1000mm < L ≤ 1500mm: +50/-0mm



Recommended Panel Cut-Out

UNIT: mm		
TOLERANCE		
.X	±0.25	
.XX	±0.1	
.XXX	±0.05	
ANGLES	±1°	

TITLE N SEN, M12 A, SCREW RECEPTACLE, M, M, FI/PANEL CRIMP				
SCALE 1:1	SIZE A4	SHEET 1 OF 2		
REV. K	WC-REV. A.5	(QC): Inspection item		

**Amphenol LTW**  
安費諾亮泰企業股份有限公司


ITEM NO	DRAWN BY Ruru	DATE 2024-06-20
DWG NO △ M12A-XXPMMC-SF8BXX	CHECKED BY Rita	DATE 2024-06-20
CUSTOMER ALTW	APPROVED BY Fred	DATE 2024-06-20

THIS DOCUMENT IS SUBJECT TO CHANGE WITHOUT NOTICE. IT IS CONFIDENTIAL AND A PROPERTY OF Amphenol LTW. DISCLOSURE TO THIRD PARTY HAS TO BE AUTHORIZED BY Amphenol LTW.


E	17P	26	M12A-17PMMC-SF8BXX
	5P	22	M12A-05PMMC-SF8BXX
	4P		M12A-04PMMC-SF8BXX
	3P		M12A-03PMMC-SF8BXX
Contacts	AWG	Item No.	

  
 M12A-XXPMMC-SF8BXX

XX: No. Of Pin

  
 15: 150mm  
 20: 200mm  
 }  
 95: 950mm  
 Cable Pitch Unit=50mm  
  
 A0: 1000mm  
 }  
 A5: 1500mm  
 Cable Pitch Unit=100mm  
 Wire Length (L): 150~1500 mm

D	Pin Out	5 --		5 --		5 Gray 灰		17 White/Gray 白/灰	
		4 Black 黑	4 Black 黑	4 Black 黑	4 Yellow/Brown 黃/棕	4 Green 綠	16 Yellow/Brown 黃/棕	15 White/Yellow 白/黃	15 White/Yellow 白/黃
C	Conn.	3 Blue 藍	3 Blue 藍	3 Blue 藍	3 Blue 藍	3 Blue 藍	3 White 白	14 Brown/Green 棕/綠	14 Brown/Green 棕/綠
		2 --	2 White 白	2 White 白	2 White 白	2 Blue 藍	2 Blue 藍	13 White/Green 白/綠	13 White/Green 白/綠
B	Conn.	1 Brown 棕	1 Brown 棕	1 Brown 棕	1 Brown 棕	1 Brown 棕	1 Brown 棕	12 Red/Blue 紅/藍	12 Red/Blue 紅/藍
								11 Gray/Pink 灰/粉	11 Gray/Pink 灰/粉
A	Pin Assignments Front View	3P	4P	5P	5P	5P	5P	10 Violet 紫	10 Violet 紫
		17P	17P	17P	17P	17P	17P	9 Red 紅	9 Red 紅

UNIT: mm		TITLE	N SEN, M12 A, SCREW RECEPTACLE, M, M, FI/PANEL CRIMP	
TOLERANCE	.X ±0.25 .XX ±0.1 .XXX ±0.05 ANGLES ±1°	SCALE	1:1	SIZE A4
		REV.	K	WC-REV. A.5
		SHEET	2	OF 2
		QC	Inspection item	

  
**Amphenol LTW**  
 安費諾亮泰企業股份有限公司

ITEM NO	DWG NO	CUSTOMER	DRAWN BY	CHECKED BY	APPROVED BY	DATE
	M12A-XXPMMC-SF8BXX	ALTW	Ruru	Rita	Fred	2024-06-20