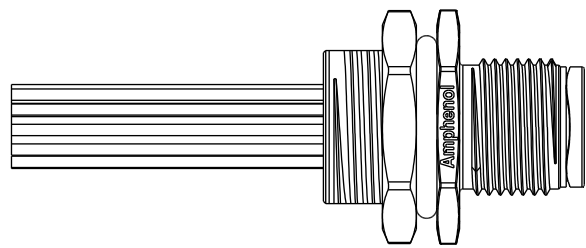
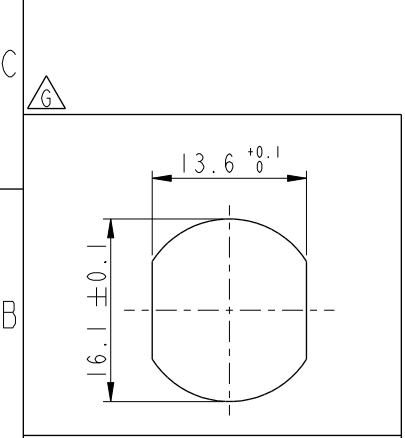
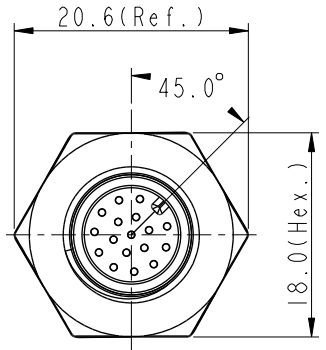
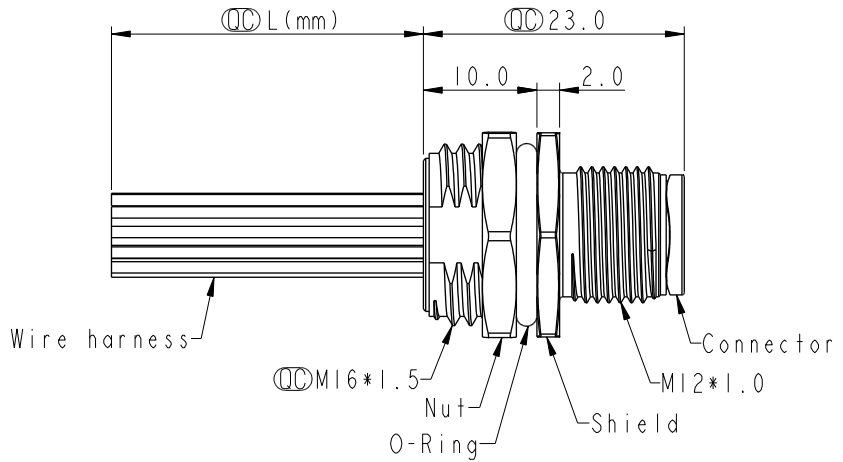
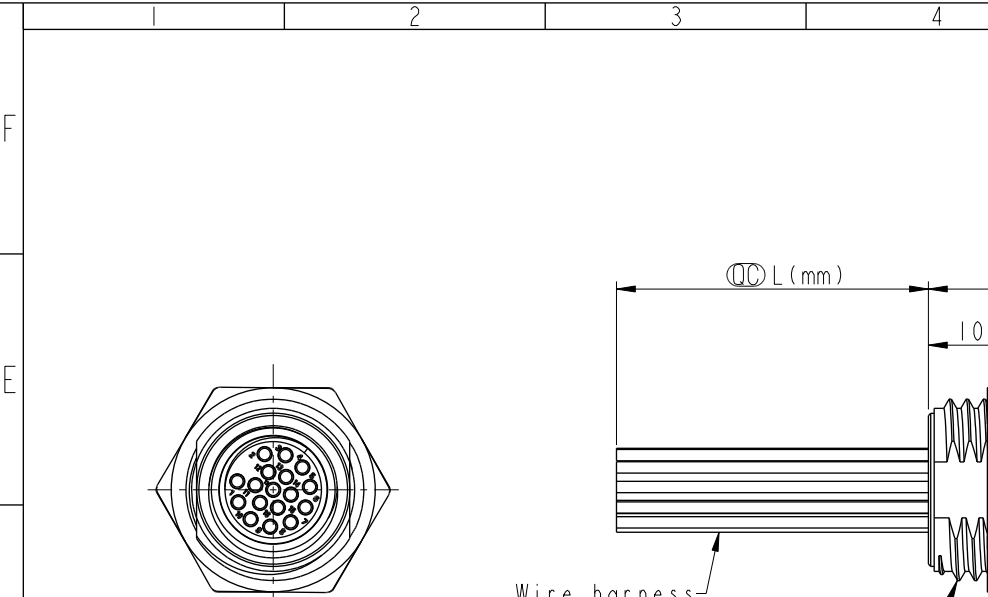


THIS DOCUMENT IS SUBJECT TO CHANGE WITHOUT NOTICE. IT IS CONFIDENTIAL AND A PROPERTY OF Amphenol LTW. DISCLOSURE TO THIRD PARTY HAS TO BE AUTHORIZED BY Amphenol LTW.

| REV. | ECN NO. | DATE       | SIGN | DESCRIPTION      |
|------|---------|------------|------|------------------|
| I    | C221878 | 2022/12/19 | Ruru | $\triangleup$ XI |
| J    | C231031 | 2023/08/04 | Ruru | $\triangle J$ XI |
| K    | C240700 | 2024/06/20 | Ruru | $\triangle K$ X2 |



- Note:  $\triangle C \triangle D \triangle F \triangle G \triangle H$
- \* RoHS Compliant
  - \*  $\text{CC}$  Important dimension
  - $\triangle$  \* Waterproof rate: IP68, unmated 1m/24h  
 $\triangle J$  IP69K, mated
  - \* Connector  
 Housing: Thermoplastic, Black  
 Pin: Copper alloy, Gold plated
  - \* Shield: Metal
  - \* Nut: Metal
  - \* O-Ring: Rubber, Black
  - \* Wire harness: UL1061
  - \* For panel thickness max: 4.5mm
  - \* O-Ring and nut are assembled on connectors
  - $\triangle K$  \* Wire harness tolerance: 150mm < L ≤ 300mm: ±15mm  
 300mm < L ≤ 1000mm: ±20mm  
 1000mm < L ≤ 1500mm: +50/-0mm

Recommended Panel Cut-Out

|           |       |  |
|-----------|-------|--|
| UNIT: mm  |       |  |
| TOLERANCE |       |  |
| .X        | ±0.25 |  |
| .XX       | ±0.1  |  |
| .XXX      | ±0.05 |  |
| ANGLES    | ±1°   |  |

|   |                |                               |                                |
|---|----------------|-------------------------------|--------------------------------|
| TITLE<br>N SEN, M12 A, SCREW RECEPTACLE, M, M, FI/PANEL CRIMP |                |                               | $\triangle E$<br>$\triangle H$ |
| SCALE<br>1:1  | SIZE<br>A4     | SHEET 1 OF 2                  |                                |
| REV.<br>K   | WC-REV.<br>A.5 | $\text{CC}$ : Inspection item |                                |

**Amphenol LTW**  
安費諾亮泰企業股份有限公司

|   |                     |                    |
|---|---------------------|--------------------|
| ITEM NO.                                    | DRAWN BY<br>Ruru    | DATE<br>2024-06-20 |
| DWG. NO.<br>$\triangle E$ M12A-XXPMC-SH8CXX | CHECKED BY<br>Rita  | DATE<br>2024-06-20 |
| CUSTOMER<br>ALTW                            | APPROVED BY<br>Fred | DATE<br>2024-06-20 |

THIS DOCUMENT IS SUBJECT TO CHANGE WITHOUT NOTICE. IT IS CONFIDENTIAL AND A PROPERTY OF Amphenol LTW. DISCLOSURE TO THIRD PARTY HAS TO BE AUTHORIZED BY Amphenol LTW.

|          |     |          |                    |
|----------|-----|----------|--------------------|
| E        | 17P | 26       | M12A-17PMMC-SH8CXX |
|          | 5P  | 22       | M12A-05PMMC-SH8CXX |
|          | 4P  |          | M12A-04PMMC-SH8CXX |
|          | 3P  |          | M12A-03PMMC-SH8CXX |
| Contacts | AWG | Item No. |                    |

  
 M12A-XXPMMC-SH8CXX

XX: No. Of Pin

  
 15: 150mm  
 20: 200mm  
 }  
 95: 950mm  
 Cable Pitch Unit=50mm  
  
 A0: 1000mm  
 }  
 A5: 1500mm  
 Cable Pitch Unit=100mm  
 Wire Length (L): 150~1500 mm

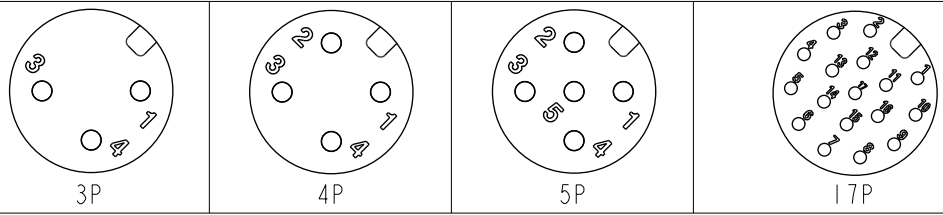


|    |              |     |
|----|--------------|-----|
| 17 | White/Gray   | 白/灰 |
| 16 | Yellow/Brown | 黃/棕 |
| 15 | White/Yellow | 白/黃 |
| 14 | Brown/Green  | 棕/綠 |
| 13 | White/Green  | 白/綠 |
| 12 | Red/Blue     | 紅/藍 |
| 11 | Gray/Pink    | 灰/粉 |
| 10 | Violet       | 紫   |
| 9  | Red          | 紅   |
| 8  | Gray         | 灰   |
| 7  | Black        | 黑   |
| 6  | Yellow       | 黃   |
| 5  | Pink         | 粉   |
| 4  | Green        | 綠   |
| 3  | White        | 白   |
| 2  | Blue         | 藍   |
| 1  | Brown        | 棕   |

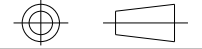

|   |       |   |   |       |   |
|---|-------|---|---|-------|---|
| 5 | --    | 黑 | 5 | --    | 灰 |
| 4 | Black | 黑 | 4 | Black | 黑 |
| 3 | Blue  | 藍 | 3 | Blue  | 藍 |
| 2 | --    | 白 | 2 | White | 白 |
| 1 | Brown | 棕 | 1 | Brown | 棕 |

Pin # Wire Pin # Wire Pin # Wire Pin # Wire


Pin Out



Pin Assignments Front View

|   |   |  |   |
|---|---|--|---|
| UNIT: mm  |  | TITLE<br>N SEN, M12 A, SCREW<br>RECEPTACLE, M, M, FI/PANEL CRIMP |  |
| TOLERANCE<br>.X ±0.25<br>.XX ±0.1<br>.XXX ±0.05<br>ANGLES ±1° | SCALE<br>1:1  | SIZE<br>A4   | SHEET<br>2 OF 2   |
|   | REV.<br>K   | WC-REV.<br>A.5   | QC: Inspection item   |

**Amphenol LTW**  
 安費諾亮泰企業股份有限公司

|  |                     |                    |
|--|---------------------|--------------------|
| ITEM NO  | DRAWN BY<br>Ruru    | DATE<br>2024-06-20 |
| DWG NO<br> M12A-XXPMMC-SH8CXX | CHECKED BY<br>Rita  | DATE<br>2024-06-20 |
| CUSTOMER<br>ALTW   | APPROVED BY<br>Fred | DATE<br>2024-06-20 |