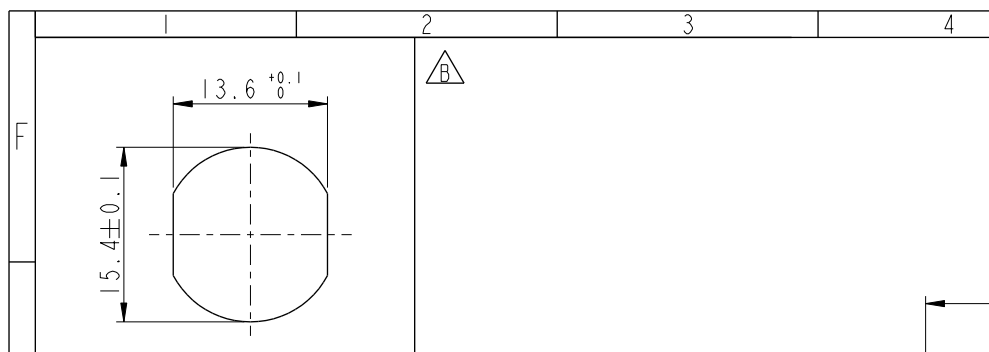
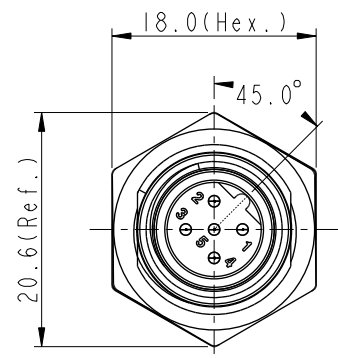
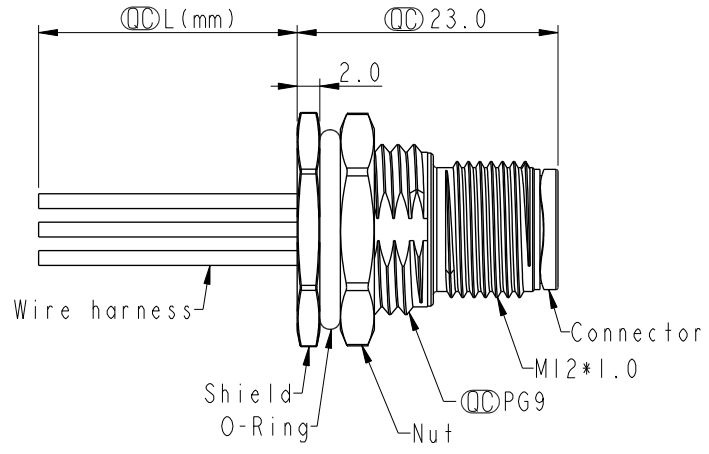
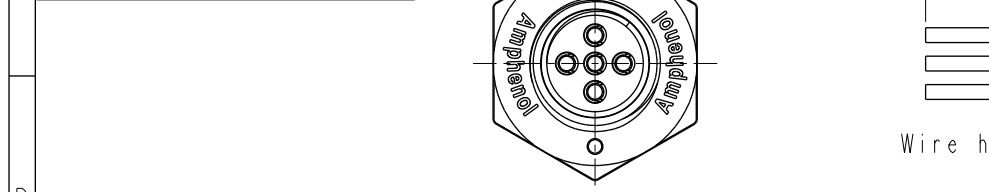


THIS DOCUMENT IS SUBJECT TO CHANGE WITHOUT NOTICE. IT IS CONFIDENTIAL AND A PROPERTY OF Amphenol LTW. DISCLOSURE TO THIRD PARTY HAS TO BE AUTHORIZED BY Amphenol LTW.

| REV. | ECN NO. | DATE | SIGN | DESCRIPTION |
|------|---------|------------|-------|------------------|
| G | C221879 | 2022/12/20 | Ruru | $\triangle G$ XI |
| H | C231031 | 2023/08/04 | Ruru | $\triangle H$ XI |
| I | C240699 | 2024/06/20 | Vicky | $\triangle I$ X2 |

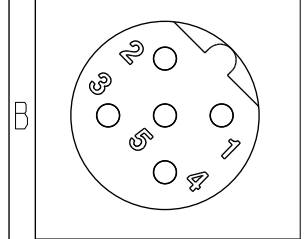


Recommended Panel Cut-Out



| | | |
|---|-------|---|
| 5 | Gray | 灰 |
| 4 | Black | 黑 |
| 3 | Blue | 藍 |
| 2 | White | 白 |
| 1 | Brown | 棕 |

| Pin # | Wire |
|-------|---------|
| | Pin Out |



Pin Assignments Front View

$\triangle C \triangle D \triangle E \triangle F$
M12B-XXPMMC-SF8BXX

XX: No. Of Pin

- $\triangle A$ 15:150mm
- $\triangle A$ 20:200mm
- $\triangle A$ 95:950mm
- Cable Pitch Unit=50mm
- $\triangle A$ A0:1000mm
- $\triangle A$ A5:1500mm
- Cable Pitch Unit=100mm
- Wire Length (L):150~1500mm

- Note: $\triangle C \triangle D \triangle E \triangle F$
- * RoHS Compliant
 - * $\triangle C$ Important dimension
 - $\triangle G$ * Waterproof rate: IP68, unmated 1m/24h
 - $\triangle H$ IP69K, mated
 - * Connector
 - Housing: Thermoplastic, Black
 - Pin: Copper alloy, Gold plated
 - * Shield: Metal
 - * Nut: Metal
 - * O-Ring: Rubber, Black
 - * Wire harness: ULI061, 22AWG
 - * For panel thickness max: 4.5mm
 - * O-Ring and nut are assembled on connectors
 - $\triangle I$ * Wire harness tolerance: 150mm < L ≤ 300mm: ±15mm
 - 300mm < L ≤ 1000mm: ±20mm
 - 1000mm < L ≤ 1500mm: +50/-0mm

| | | |
|-----------|------------|--|
| UNIT:mm | | |
| TOLERANCE | .X ±0.25 | |
| .XX ±0.1 | .XXX ±0.05 | |
| ANGLES | ±1° | |

| | | | |
|---|----------------|---------------------------------|--|
| TITLE N SEN, M12 B, SCREW RECEPTACLE, M, M, FI/PANEL CRIMP $\triangle F$ | | | |
| SCALE 2:1 | SIZE A4 | SHEET 1 OF 1 | |
| REV. 1 | WC-REV. A.5 | $\triangle C$: Inspection item | |

Amphenol LTW
安費諾亮泰企業股份有限公司

| | | |
|--|-------------|------------|
| ITEM NO | DRAWN BY | DATE |
| DWG NO $\triangle A$ M12B-XXPMMC-SF8BXX | Vicky | 2024-06-20 |
| CUSTOMER | CHECKED BY | DATE |
| ALTW | Rita | 2024-06-20 |
| | APPROVED BY | DATE |
| | Fred | 2024-06-20 |