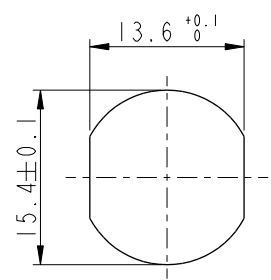
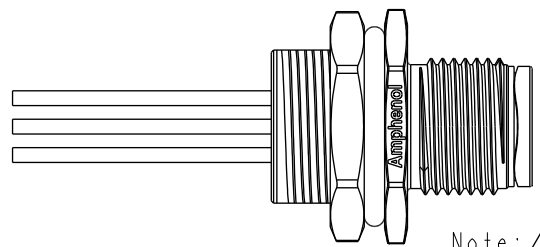
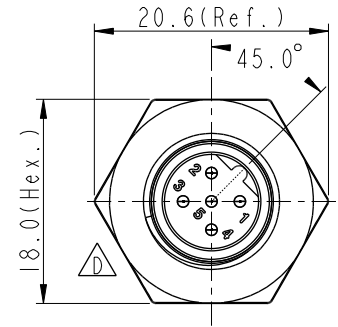
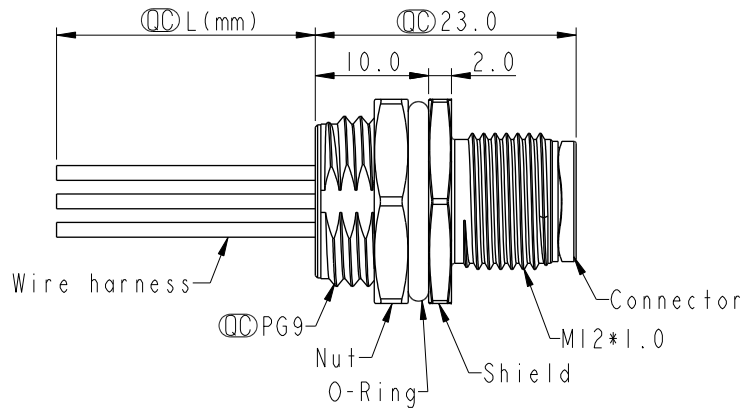
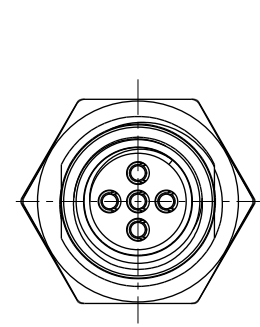


THIS DOCUMENT IS SUBJECT TO CHANGE WITHOUT NOTICE. IT IS CONFIDENTIAL AND A PROPERTY OF Amphenol LTW. DISCLOSURE TO THIRD PARTY HAS TO BE AUTHORIZED BY Amphenol LTW.

REV.	ECN NO.	DATE	SIGN	DESCRIPTION
H	C221879	2022/12/20	Ruru	△H X1
I	C231031	2023/08/04	Ruru	△I X1
J	C240699	2024/06/20	Vicky	△J X2



Recommended Panel Cut-Out



△C △D △E △G
M12B-XXPMMC-SH8BXX

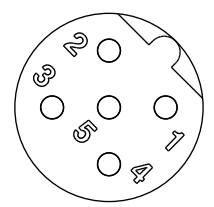
XX: No. Of Pin

- △J 15: 150mm
- △J 20: 200mm
- △J 95: 950mm
- Cable Pitch Unit=50mm
- △J A0: 1000mm
- △J A5: 1500mm
- Cable Pitch Unit=100mm
- Wire Length (L): 150~1500mm

- Note: △C △D △F △G
- * RoHS Compliant
 - * △C Important dimension
 - * △H Waterproof rate: IP68, unmated 1m/24h
 - * △I IP69K, mated
 - * Connector
 - Housing: Thermoplastic, Black
 - Pin: Copper alloy, Gold plated
 - * Shield: Metal
 - * Nut: Metal
 - * O-Ring: Rubber, Black
 - * Wire harness: UL1061, 22AWG
 - * For panel thickness max: 4.5mm
 - * O-Ring and nut are assembled on connectors
 - * △J Wire harness tolerance: 150mm < L ≤ 300mm: ±15mm
 - 300mm < L ≤ 1000mm: ±20mm
 - 1000mm < L ≤ 1500mm: +50/-0mm

5	Gray	灰
4	Black	黑
3	Blue	藍
2	White	白
1	Brown	棕

Pin #	Wire
	Pin Out



Pin Assignments Front View

UNIT:mm		
TOLERANCE	.X ±0.25	
.XX ±0.1		
.XXX ±0.05		
ANGLES	±1°	

TITLE N SEN, M12 B, SCREW RECEPTACLE, M, M, FI/PANEL CRIMP			
SCALE 2:1	SIZE A4	SHEET 1 OF 1	
REV. J	WC-REV. A.5	◎: Inspection item	

Amphenol LTW
安費諾亮泰企業股份有限公司

ITEM NO	DRAWN BY Vicky	DATE 2024-06-20
DWG NO △E M12B-XXPMMC-SH8BXX	CHECKED BY Rita	DATE 2024-06-20
CUSTOMER ALTW	APPROVED BY Fred	DATE 2024-06-20