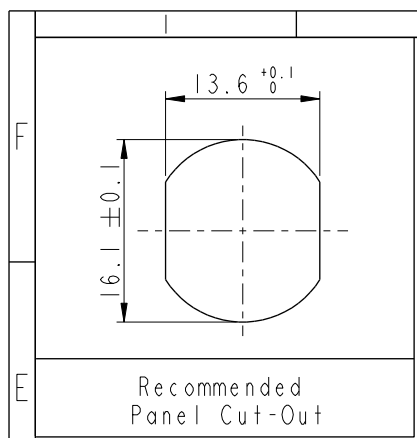


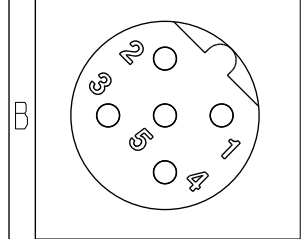
THIS DOCUMENT IS SUBJECT TO CHANGE WITHOUT NOTICE. IT IS CONFIDENTIAL AND A PROPERTY OF Amphenol LTW. DISCLOSURE TO THIRD PARTY HAS TO BE AUTHORIZED BY Amphenol LTW.

REV.	ECN NO.	DATE	SIGN	DESCRIPTION
H	C221879	2022/12/20	Ruru	$\triangle_H$ X1
I	C231031	2023/08/04	Ruru	$\triangle_I$ X1
J	C240699	2024/06/20	Vicky	$\triangle_J$ X2



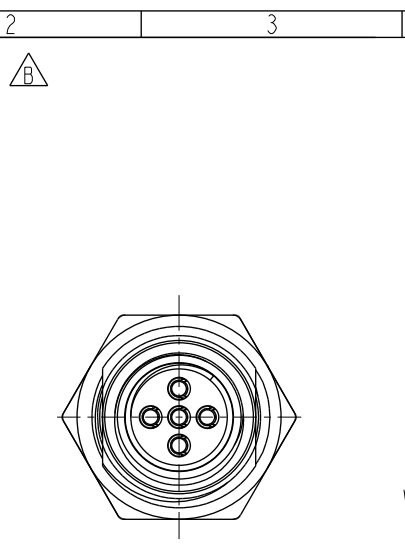
Recommended Panel Cut-Out

5	Gray	灰
4	Black	黑
3	Blue	藍
2	White	白
1	Brown	棕

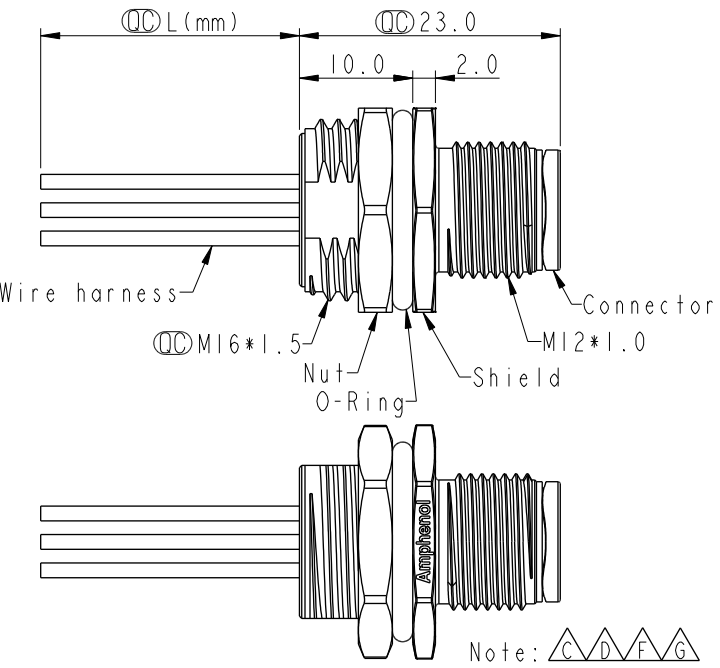


Pin Assignments Front View

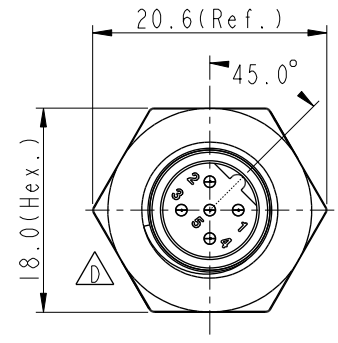
UNIT:mm	
TOLERANCE	
.X	±0.25
.XX	±0.1
.XXX	±0.05
ANGLES	±1°



$\triangle_C$   $\triangle_D$   $\triangle_E$   $\triangle_G$   
M12B-XXPMMC-SH8CXX  
XX: No. Of Pin



$\triangle_J$   
15:150mm  
20:200mm  
95:950mm  
Cable Pitch Unit=50mm  
A0:1000mm  
A5:1500mm  
Cable Pitch Unit=100mm  
Wire Length (L):150~1500mm



Note:  $\triangle_C$   $\triangle_D$   $\triangle_E$   $\triangle_G$   
 \* RoHS Compliant  
 \*  $\circledR$  Important dimension  
 $\triangle_H$  \* Waterproof rate: IP68, unmated 1m/24h  
 $\triangle_I$  IP69K, mated  
 \* Connector  
 Housing: Thermoplastic, Black  
 Pin: Copper alloy, Gold plated  
 \* Shield: Metal  
 \* Nut: Metal  
 \* O-Ring: Rubber, Black  
 \* Wire harness: UL1061, 22AWG  
 \* For panel thickness max: 4.5mm  
 \* O-Ring and nut are assembled on connectors  
 $\triangle_J$  \* Wire harness tolerance: 150mm < L ≤ 300mm: ±15mm  
 300mm < L ≤ 1000mm: ±20mm  
 1000mm < L ≤ 1500mm: +50/-0mm

TITLE N SEN, M12 B, SCREW RECEPTACLE, M, M, FI/PANEL CRIMP			
SCALE 2:1	SIZE A4	SHEET 1 OF 1	
REV. J	WC-REV. A.5	$\circledR$ : Inspection item	

**Amphenol LTW**  
安費諾亮泰企業股份有限公司

ITEM NO	DRAWN BY Vicky	DATE 2024-06-20
DWG NO $\triangle_E$ M12B-XXPMMC-SH8CXX	CHECKED BY Rita	DATE 2024-06-20
CUSTOMER ALTW	APPROVED BY Fred	DATE 2024-06-20