

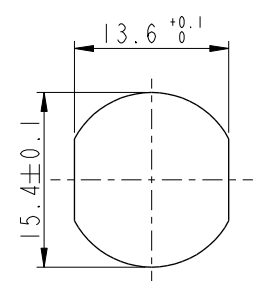
THIS DOCUMENT IS SUBJECT TO CHANGE WITHOUT NOTICE. IT IS CONFIDENTIAL AND A PROPERTY OF Amphenol LTW. DISCLOSURE TO THIRD PARTY HAS TO BE AUTHORIZED BY Amphenol LTW.

REV.	ECN NO.	DATE	SIGN	DESCRIPTION
F	C210309	2021/02/03	Ruru	$\triangle F$ X2
G	C221973	2022/12/22	Ruru	$\triangle G$ X1
H	C231034	2023/08/09	Ruru	$\triangle H$ X1

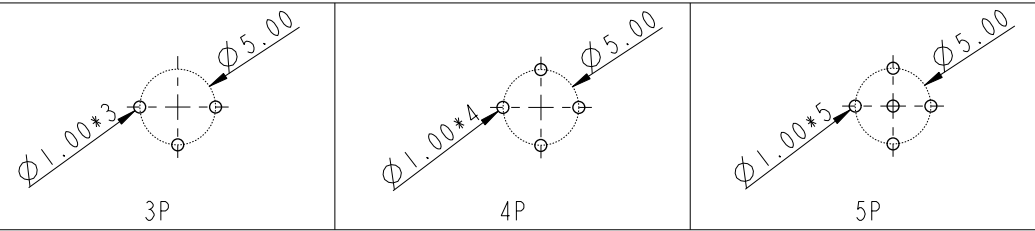
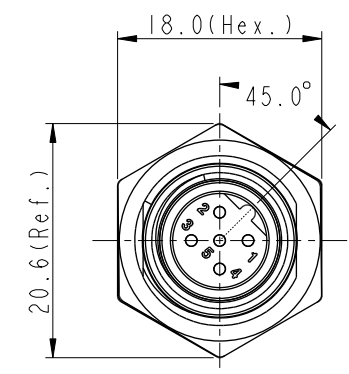
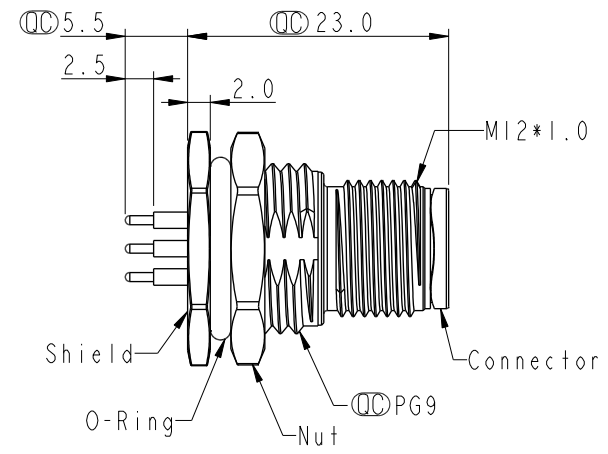
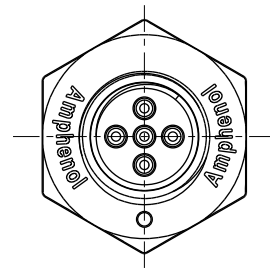
$\triangle B$

$\triangle D$
M12B-XXPMMP-SF8001

XX: No. Of Pin

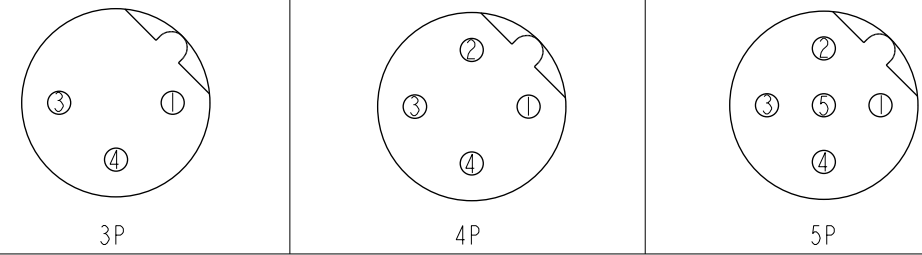


Recommended Panel Cut-Out



PCB Layout

- $\triangle D$ $\triangle E$ Note:
- * RoHS Compliant
 - * CC Important dimension
 - $\triangle G$ $\triangle C$ * Waterproof rate: IP68, unmated 1m/24h
 - $\triangle A$ * IP69K, mated
 - * Connector
 - Housing: Thermoplastic, Black
 - Pin: Copper alloy, Gold plated
 - $\triangle E$ * Shield: Metal
 - * Nut: Metal
 - $\triangle C$ * O-Ring: Rubber, Black
 - * For panel thickness max: 4.5mm
 - * Nut is packed separately in pe bag



Pin Assignment Front View

UNIT: mm		TITLE N SEN, M12 B, SCREW RECEPTACLE, M, M, PCB S $\triangle F$
TOLERANCE .X ±0.25 .XX ±0.1 .XXX ±0.05 ANGLES ±1°	SCALE 3:2	SIZE A4
	REV. H	SHEET 1 OF 1
	WC-REV. A.5	CC : Inspection item

Amphenol LTW
安費諾亮泰企業股份有限公司

ITEM NO.	DRAWN BY	DATE
	Yulong_wang	2016-09-05
DWG. NO.	CHECKED BY	DATE
$\triangle A$ M12B-XXPMMP-SF8001	Jinhai	2016-09-05
CUSTOMER	APPROVED BY	DATE
ALTW	Jerry	2016-09-05