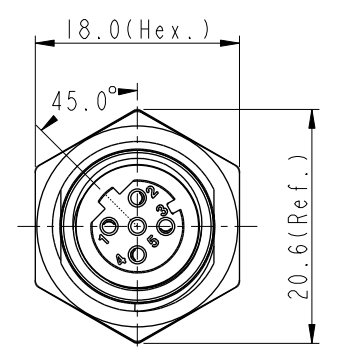
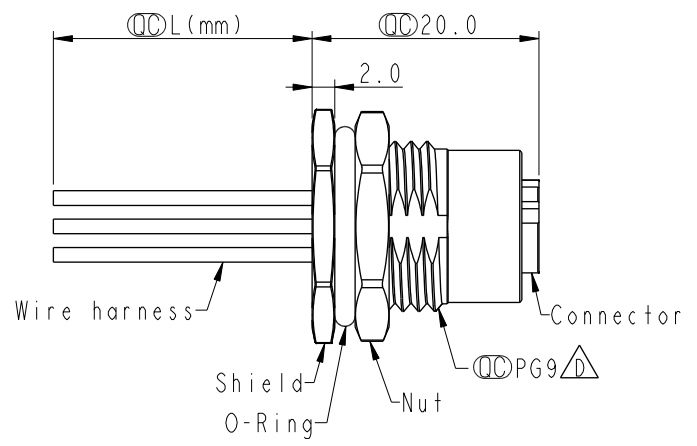
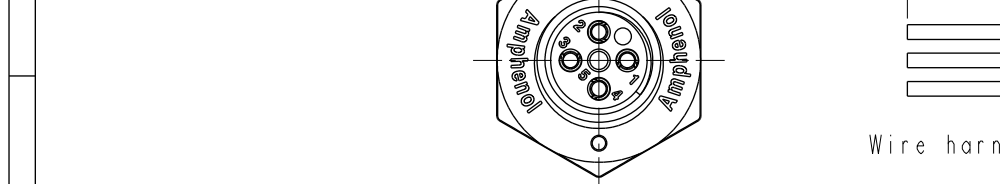
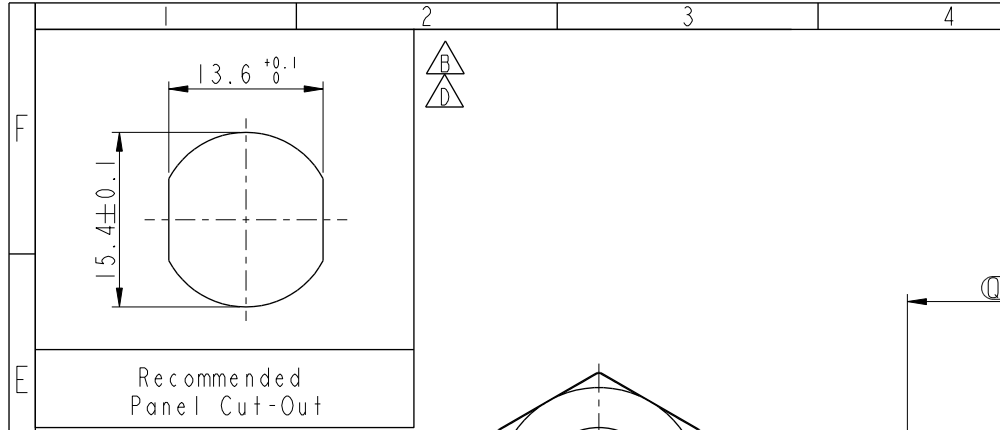
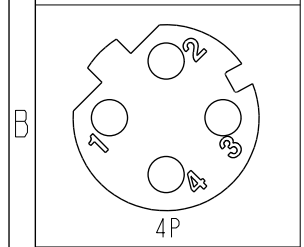


THIS DOCUMENT IS SUBJECT TO CHANGE WITHOUT NOTICE. IT IS CONFIDENTIAL AND A PROPERTY OF Amphenol LTW. DISCLOSURE TO THIRD PARTY HAS TO BE AUTHORIZED BY Amphenol LTW.

REV.	ECN NO.	DATE	SIGN	DESCRIPTION
F	C221879	2022/12/20	Ruru	$\triangle F$ X1
G	C231032	2023/08/07	Ruru	$\triangle G$ X1
H	C240699	2024/06/20	Vicky	$\triangle H$ X2



4	Black	黑
3	Blue	藍
2	White	白
1	Brown	棕



Pin Assignments Front View

$\triangle C \triangle D \triangle E$
M12D-XXPFFC-SF8BXX
 XX: No. Of Pin

$\triangle H$
 15: 150mm
 20: 200mm
 ↓
 95: 950mm
 Cable Pitch Unit: 50mm

A0: 1000mm
 ↓
 A5: 1500mm
 Cable Pitch Unit: 100mm
 Wire Length(L): 150~1500mm

Note: $\triangle C \triangle D \triangle E$

- * RoHS Compliant
- * \circ Important dimension
- $\triangle F$ * Waterproof rate: IP68, unmated 1m/24h
- $\triangle G$ * IP69K, mated
- * Connector
- Housing: Thermoplastic, Black
- Pin: Copper alloy, Gold plated
- O-Ring: Rubber, Green
- * Shield: Metal
- * Nut: Metal
- * O-Ring: Rubber, Black
- * Wire harness: UL1061, 22AWG
- * For panel thickness max: 4.5mm
- * O-Ring and nut are assembled on connectors
- $\triangle H$ * Wire harness tolerance: 150mm < L ≤ 300mm: ±15mm
 300mm < L ≤ 1000mm: ±20mm
 1000mm < L ≤ 1500mm: +50/-0mm

UNIT:mm		TITLE	
		N SEN, M12 D, SCREW RECEPTACLE, F, F, FI/PANEL CRIMP $\triangle E$	
TOLERANCE		SCALE	SIZE
.X	±0.25	2:1	A4
.XX	±0.1		
.XXX	±0.05	REV.	WC-REV.
ANGLES	±1°	H	A.5
		\circ : Inspection item	

Amphenol LTW
 安費諾亮泰企業股份有限公司

ITEM NO	DRAWN BY	DATE
	Vicky	2024-06-20
DWG NO	CHECKED BY	DATE
\triangle M12D-XXPFFC-SF8BXX	Rita	2024-06-20
CUSTOMER	APPROVED BY	DATE
ALTW	Fred	2024-06-20