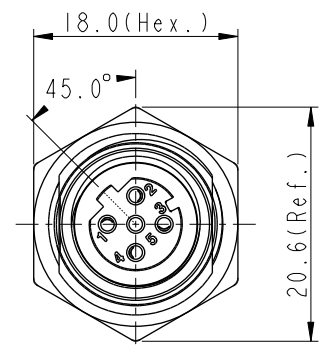
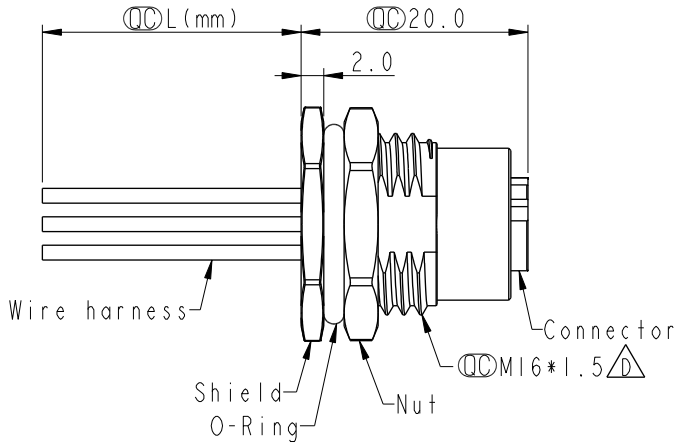
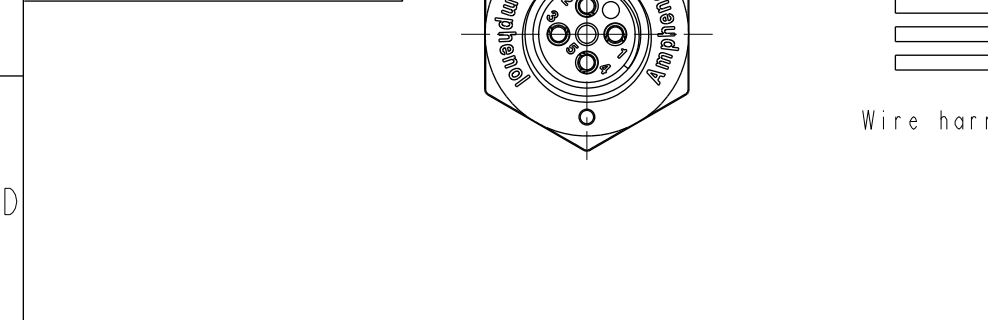
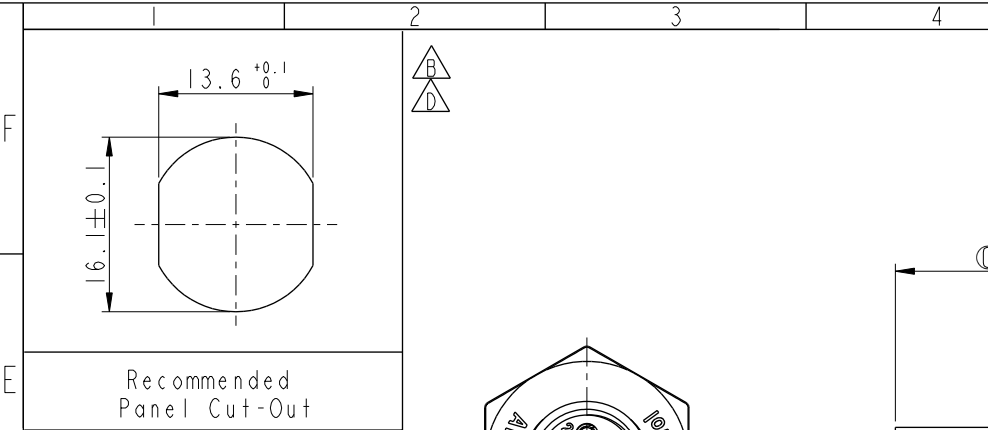
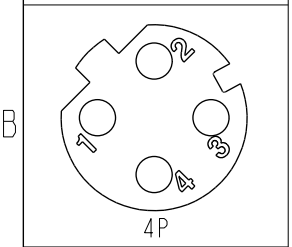


THIS DOCUMENT IS SUBJECT TO CHANGE WITHOUT NOTICE. IT IS CONFIDENTIAL AND A PROPERTY OF Amphenol LTW. DISCLOSURE TO THIRD PARTY HAS TO BE AUTHORIZED BY Amphenol LTW.

REV.	ECN NO.	DATE	SIGN	DESCRIPTION
F	C221879	2022/12/20	Ruru	F XI
G	C231032	2023/08/07	Ruru	G XI
H	C240699	2024/06/20	Vicky	H X2



4	Black	黑
3	Blue	藍
2	White	白
1	Brown	棕
Pin #	Wire	
Pin Out		



Pin Assignments - Front View

$\triangle C \triangle D \triangle E$   
**M12D-XXPFFC-SF8CXX**  
 XX: No. Of Pin

$\triangle H$   
 15: 150mm  
 20: 200mm  
 95: 950mm  
 Cable Pitch Unit: 50mm  
 A0: 1000mm  
 A5: 1500mm  
 Cable Pitch Unit: 100mm  
 Wire Length(L): 150~1500mm

- Note:  $\triangle C \triangle D \triangle E$
- \* RoHS Compliant
  - \*  $\odot$  Important dimension
  - $\triangle F$  \* Waterproof rate: IP68, unmated 1m/24h
  - $\triangle G$  \* IP69K, mated
  - \* Connector
  - Housing: Thermoplastic, Black
  - Pin: Copper alloy, Gold plated
  - O-Ring: Rubber, Green
  - \* Shield: Metal
  - \* Nut: Metal
  - \* O-Ring: Rubber, Black
  - \* Wire harness: UL1061, 22AWG
  - \* For panel thickness max: 4.5mm
  - \* O-Ring and nut are assembled on connectors
  - $\triangle H$  \* Wire harness tolerance: 150mm < L ≤ 300mm: ±15mm  
 300mm < L ≤ 1000mm: ±20mm  
 1000mm < L ≤ 1500mm: +50/-0mm

UNIT:mm			TITLE N SEN, M12 D, SCREW RECEPTACLE, F, F, FI/PANEL CRIMP $\triangle E$		
TOLERANCE .X ±0.25 .XX ±0.1 .XXX ±0.05 ANGLES ±1°	SCALE 2:1	SIZE A4	SHEET 1	OF 1	REV. H
	WC-REV. A.5	$\odot$ : Inspection item			

Amphenol LTW

安費諾亮泰企業股份有限公司

ITEM NO	DRAWN BY	DATE
DWG NO $\triangle E$ M12D-XXPFFC-SF8CXX	Vicky	2024-06-20
CUSTOMER	CHECKED BY	DATE
ALTW	Rita	2024-06-20
	APPROVED BY	DATE
	Fred	2024-06-20