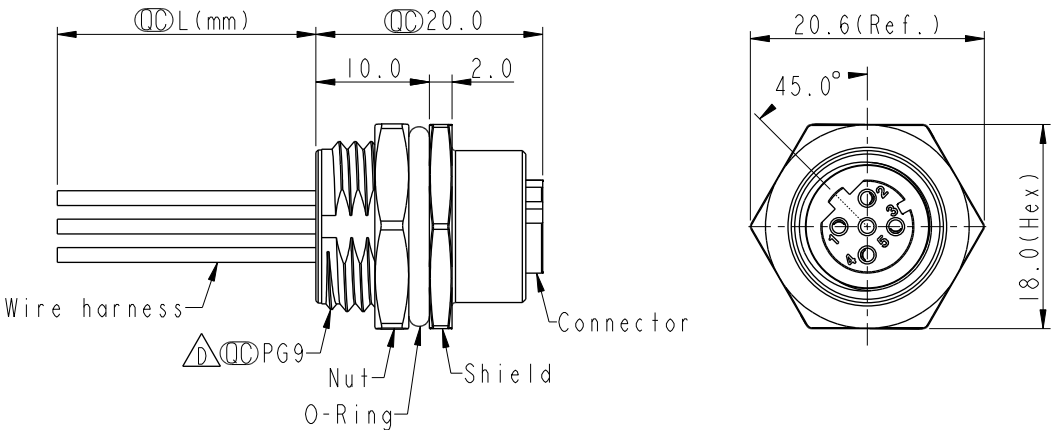
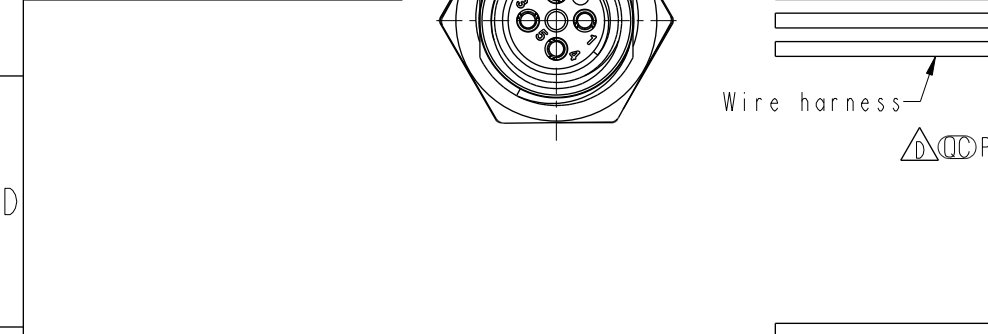
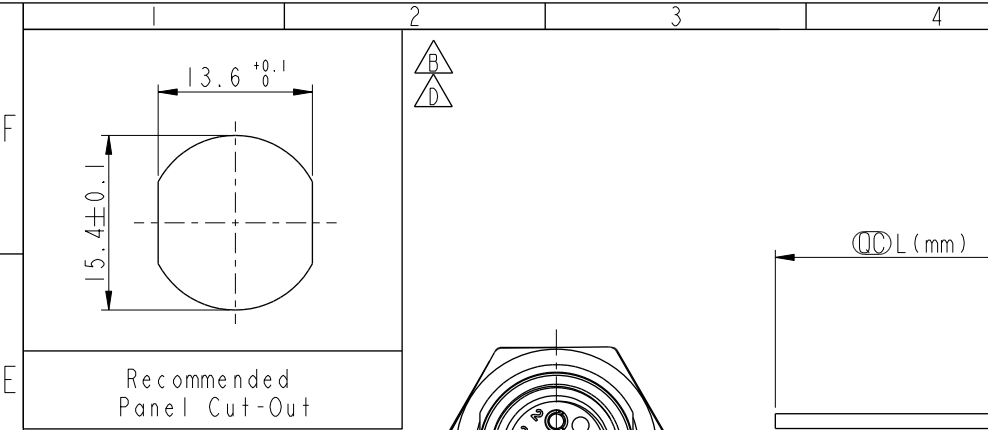
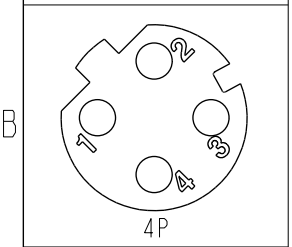


THIS DOCUMENT IS SUBJECT TO CHANGE WITHOUT NOTICE. IT IS CONFIDENTIAL AND A PROPERTY OF Amphenol LTW. DISCLOSURE TO THIRD PARTY HAS TO BE AUTHORIZED BY Amphenol LTW.

REV.	ECN NO.	DATE	SIGN	DESCRIPTION
F	C221879	2022/12/20	Ruru	$\triangle F$ X1
G	C231032	2023/08/07	Ruru	$\triangle G$ X1
H	C240699	2024/06/20	Vicky	$\triangle H$ X2



4	Black	黑
3	Blue	藍
2	White	白
1	Brown	棕



Pin Assignments Front View

MI2D-XXPFFC-SH8BXX
 $\triangle C$ $\triangle D$ $\triangle E$
 XX: No. Of Pin

- $\triangle H$ 15: 150mm
- 20: 200mm
- 95: 950mm
- Cable Pitch Unit: 50mm
- A0: 1000mm
- A5: 1500mm
- Cable Pitch Unit: 100mm
- Wire Length(L): 150~1500mm

- Note: $\triangle C$ $\triangle D$ $\triangle E$
- * RoHS Compliant
 - * $\triangle C$ Important dimension
 - * $\triangle F$ Waterproof rate: IP68, unmated 1m/24h
 - * $\triangle G$ IP69K, mated
 - * Connector
 - * Housing: Thermoplastic, Black
 - * Pin: Copper alloy, Gold plated
 - * O-Ring: Rubber, Green
 - * Shield: Metal
 - * Nut: Metal
 - * O-Ring: Rubber, Black
 - * Wire harness: UL1061, 22AWG
 - * For panel thickness max: 4.5mm
 - * O-Ring and nut are assembled on connectors
 - * $\triangle H$ Wire harness tolerance: 150mm < L ≤ 300mm: ±15mm
 - 300mm < L ≤ 1000mm: ±20mm
 - 1000mm < L ≤ 1500mm: +50/-0mm

UNIT:mm		TITLE	
TOLERANCE		N SEN, MI2 D, SCREW RECEPTACLE, F, F, FI/PANEL CRIMP $\triangle E$	
.X	±0.25	SCALE	2:1
.XX	±0.1	SIZE	A4
.XXX	±0.05	SHEET	1 OF 1
ANGLES	±1°	REV.	H
		WC-REV.	A.5
		$\triangle C$	Inspection item

Amphenol LTW
 安費諾亮泰企業股份有限公司

ITEM NO	DRAWN BY	DATE
	Vicky	2024-06-20
DWG NO	CHECKED BY	DATE
$\triangle A$ MI2D-XXPFFC-SH8BXX	Rita	2024-06-20
CUSTOMER	APPROVED BY	DATE
ALTW	Fred	2024-06-20