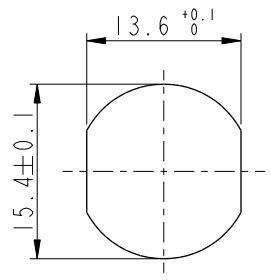


THIS DOCUMENT IS SUBJECT TO CHANGE WITHOUT NOTICE. IT IS CONFIDENTIAL AND A PROPERTY OF Amphenol LTW. DISCLOSURE TO THIRD PARTY HAS TO BE AUTHORIZED BY Amphenol LTW.

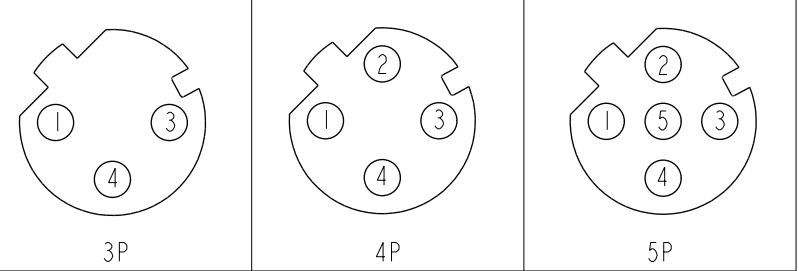
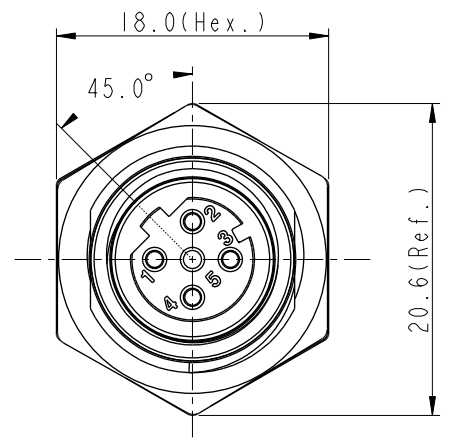
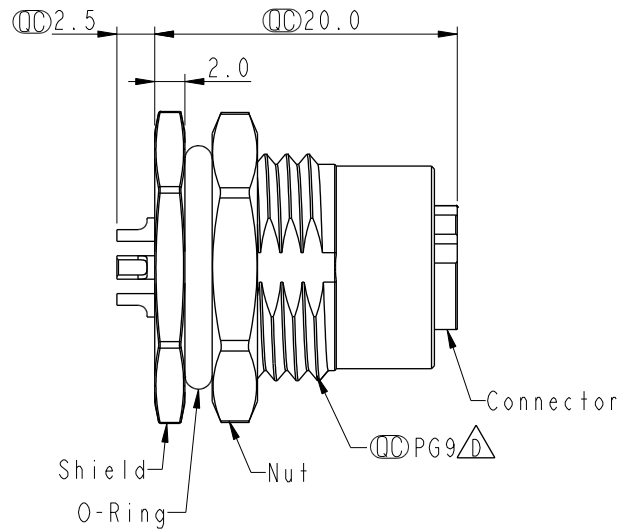
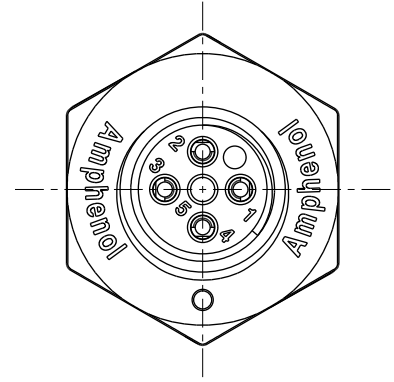
REV.	ECN NO.	DATE	SIGN	DESCRIPTION
E	C210309	2021/03/02	Ruru	X2
F	C221973	2022/12/26	Ruru	X1
G	C231034	2023/08/09	Ruru	X1



MI2D-XXPFFS-SF8001

XX: No. Of Pin

Recommended Panel Cut-Out



Pin Assignment Front View

- Note:**
- * RoHS Compliant
 - * \varnothing Important dimension
 - * \triangle Waterproof rate: IP68, unmated 1m/24h
 \triangle IP69K, mated
 - * Connector
 - Housing: Thermoplastic, Black
 - Pin: Copper alloy, Gold plated
 - O-Ring: Rubber, Green
 - * Shield: Metal
 - * Nut: Metal
 - * O-Ring: Rubber, Black
 - * For panel thickness max: 4.5mm
 - * Nut is packed separately in pe bag

UNIT: mm			TITLE N SEN, M12 D, SCREW RECEPTACLE, F, F, SOLDER \triangle
TOLERANCE .X ±0.25 .XX ±0.1 .XXX ±0.05 ANGLES ±1°	SCALE 2:1	SIZE A4	SHEET 1 OF 1
REV. G	WC-REV. A.5	\varnothing : Inspection item	

Amphenol LTW
安費諾亮泰企業股份有限公司

ITEM NO.	DRAWN BY Yulong_wang	DATE 2016-08-25
DWG NO. \triangle MI2D-XXPFFS-SF8001	CHECKED BY Jinhai	DATE 2016-08-25
CUSTOMER ALTW	APPROVED BY Jerry	DATE 2016-08-25