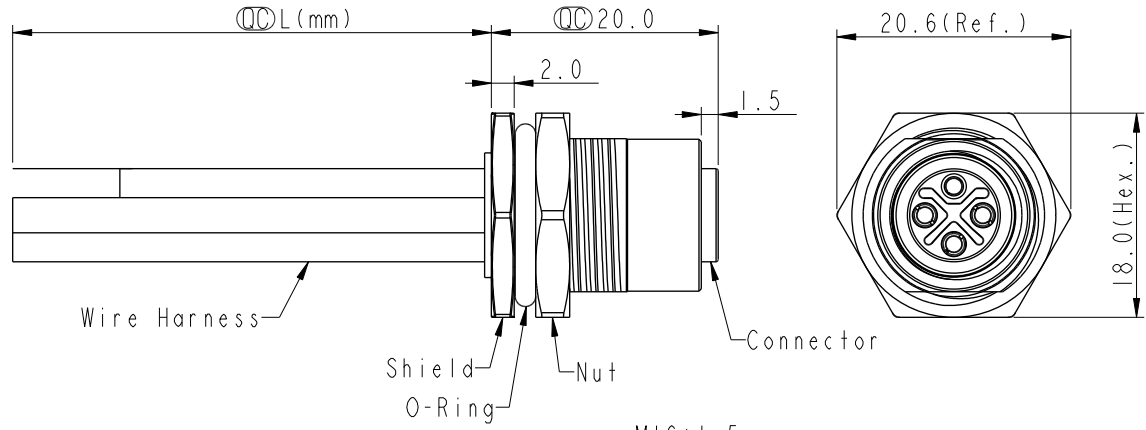
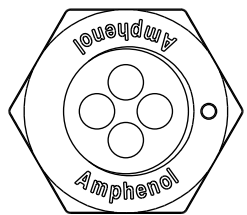
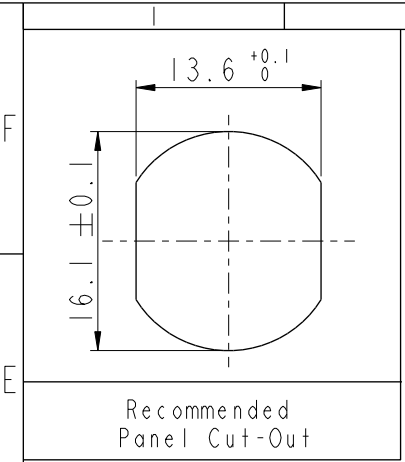


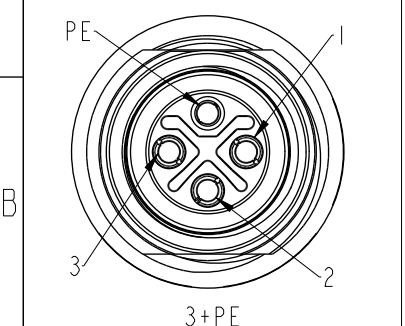
THIS DOCUMENT IS SUBJECT TO CHANGE WITHOUT NOTICE. IT IS CONFIDENTIAL AND A PROPERTY OF Amphenol LTW. DISCLOSURE TO THIRD PARTY HAS TO BE AUTHORIZED BY Amphenol LTW.

REV.	ECN NO.	DATE	SIGN	DESCRIPTION
E	C221879	2022/12/20	Ruru	△E X1
F	C231032	2023/08/07	Rruu	△E X1
G	C240701	2024/06/20	Ruru	△G X2



PE	Black	黑
3	Blue	藍
2	White	白
1	Brown	棕

Pin #	Wire	Pin Out
-------	------	---------



Pin Assignments Front View

△B △C △D
M12S-XXPFFS-SF8CXX
 XX:No. Of Pin
 △G
 15:150mm
 20:200mm
 ∫
 95:950mm
 Cable Pitch Unit:50mm
 A0:1000mm
 ∫
 A5:1500mm
 Cable Pitch Unit:100mm
 Wire Length(L):150~1500mm

Note: △B △C △D
 * RoHS Compliant
 * ∅ Important dimension
 * Waterproof rate: IP68, unmated 1m/24h
 △E * IP69K, mated
 * Connector
 Housing: Thermoplastic, Black
 Pin: Copper alloy, Gold plated
 O-Ring: Rubber, Green
 * Shield: Metal
 * Nut: Metal
 * O-Ring: Rubber, Black
 * Wire harness: UL1015, 16AWG
 * For panel thickness max: 4.5mm
 * O-Ring and nut are assembled on connectors
 △G * Wire harness tolerance:
 150mm < L ≤ 300mm: ±15mm
 300mm < L ≤ 1000mm: ±20mm
 1000mm < L ≤ 1500mm: +50/-0mm

UNIT:mm	
TOLERANCE	
.X	±0.25
.XX	±0.1
.XXX	±0.05
ANGLES	±1°

TITLE N SEN, M12 S, SCREW RECEPTACLE, F, F, SOLDER △C			
SCALE 2:1	SIZE A4	SHEET 1 OF 1	
REV. G	WC-REV. A.1	∅ Inspection item	

Amphenol LTW
 安費諾亮泰企業股份有限公司

ITEM NO	DRAWN BY Ruru	DATE 2024-06-20
DWG NO △C M12S-XXPFFS-SF8CXX	CHECKED BY Rita	DATE 2024-06-20
CUSTOMER ALTW	APPROVED BY Fred	DATE 2024-06-20